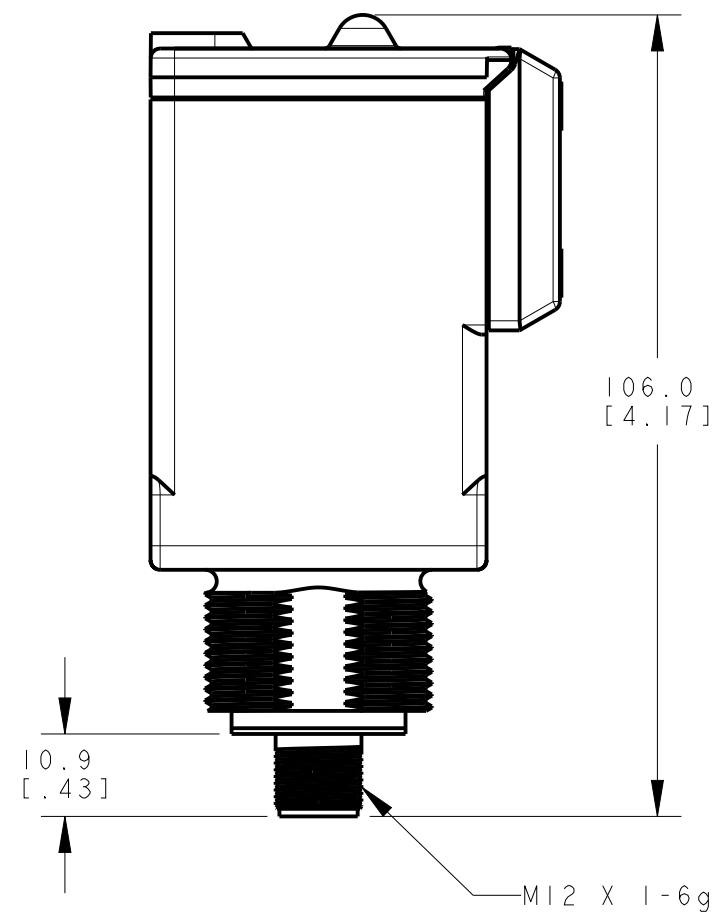
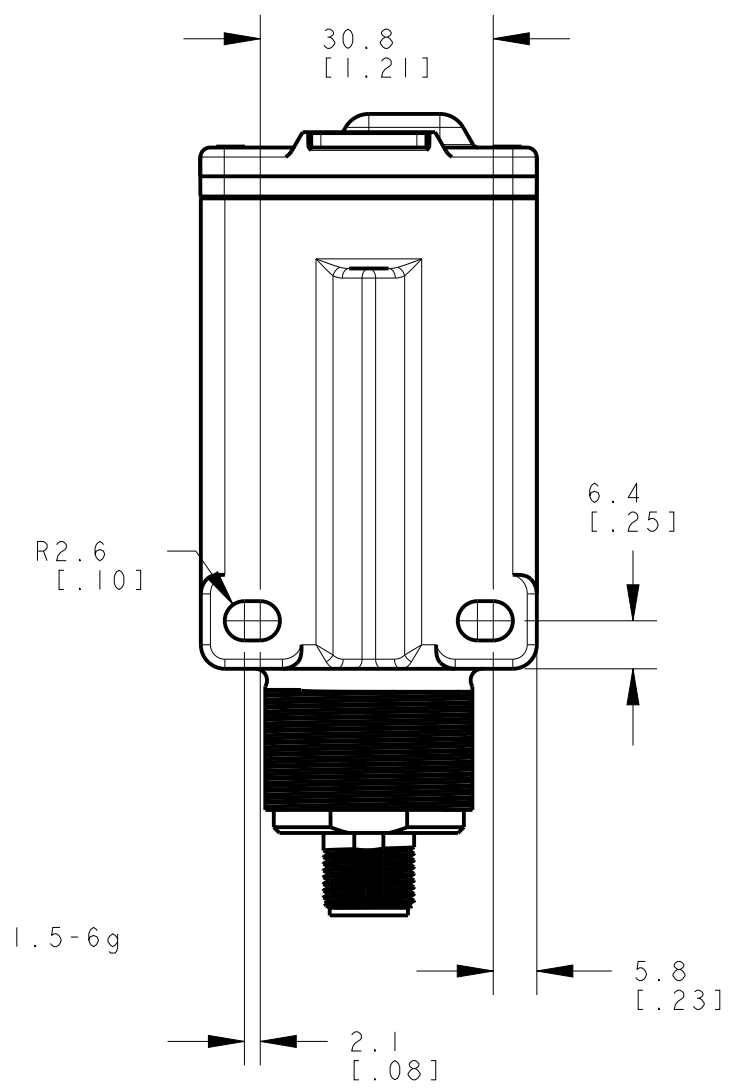
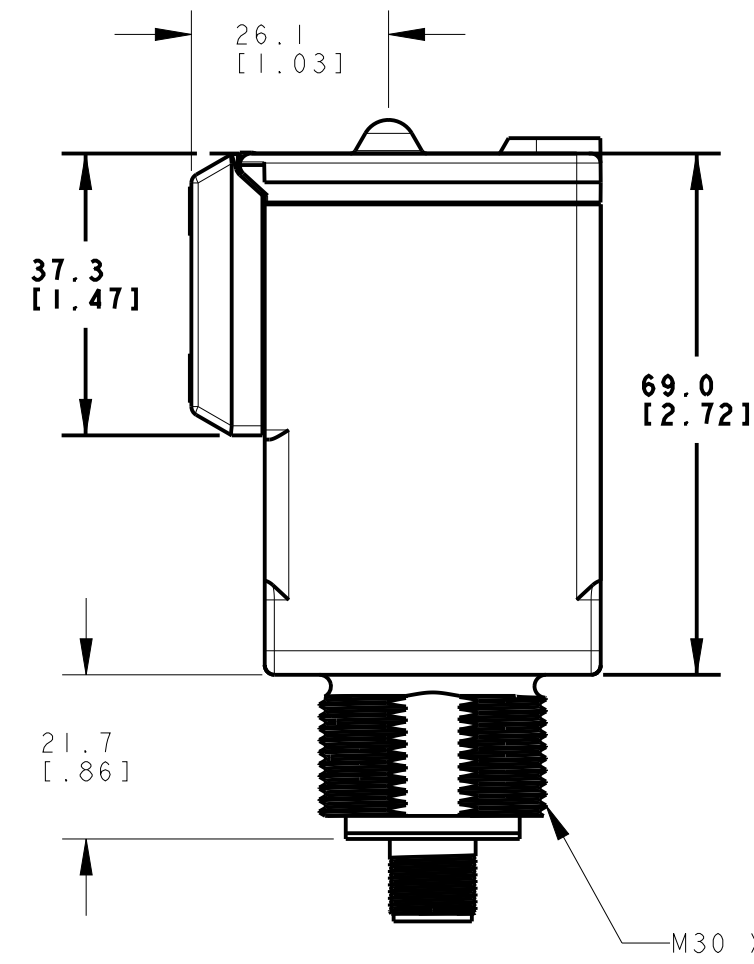
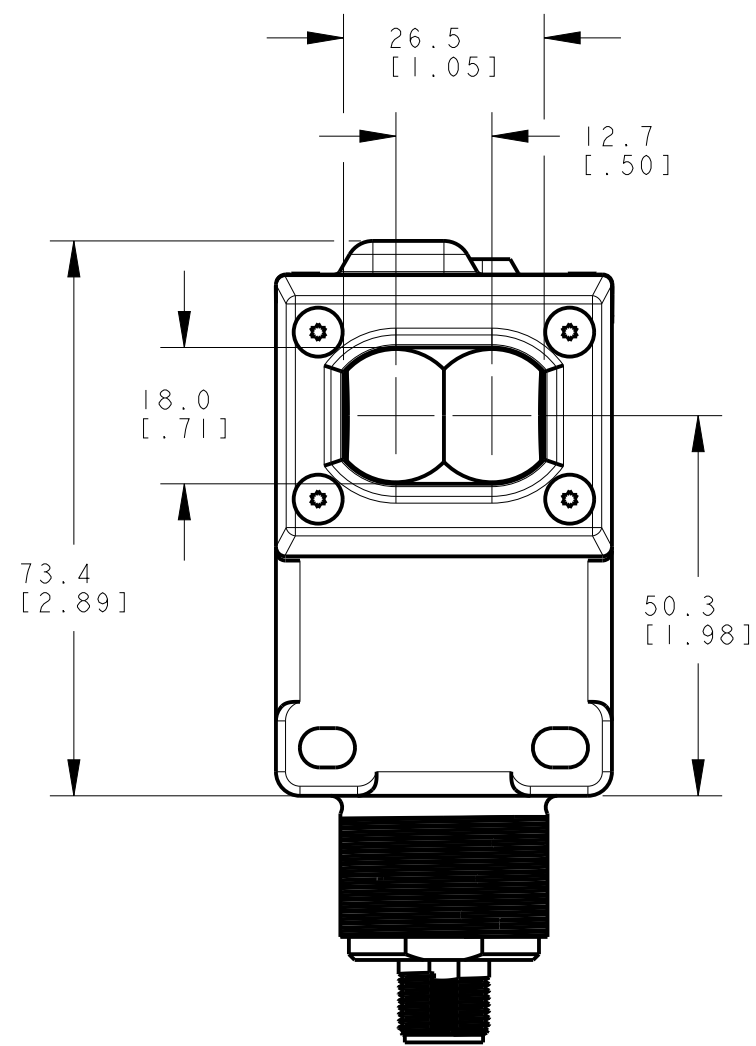


ISOMETRIC VIEW  
SCALE 1:2



NOTES:  
1. ALL DIMENSIONS ARE MILLIMETERS [INCHES] UNLESS OTHERWISE NOTED.  
2. REFER TO "www.bannerengineering.com" FOR ADDITIONAL DATA AND SPECIFICATIONS.

This drawing is the property  
of BANNER ENGINEERING CORP.  
Any use or reproduction,  
in any form, without prior  
written permission of  
Banner is prohibited.  
© 2015 Banner Engineering Corp.

**BANNER** BANNER ENGINEERING CORP.  
www.bannerengineering.com

TITLE  
**O45 E/R/DL/DX/LV/LP EURO OD**

SIZE C DRAWING NO. **156708** REV. **B**

SCALE 1:1 SHEET 1 OF 1

THIRD ANGLE PROJECTION

