

GUIDE ELEMENTS FOR MOULD MAKING

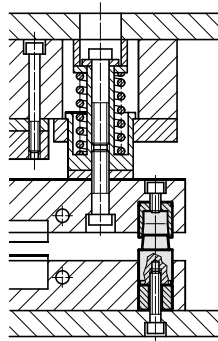


CENTERING UNIT

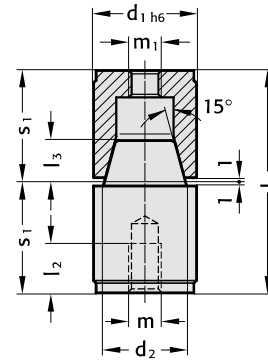
CENTERING UNIT, FLAT



Mounting example



2442.12.



Description:

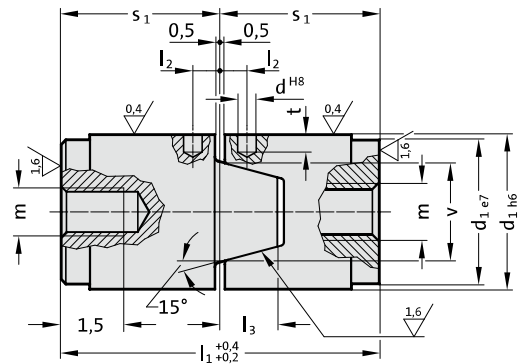
Conical centring units are used to increase repeat accuracy in mould, die and machine-making.

2442.12. Centering unit

Order No	d ₁	d ₂	l ₁	l ₂	l ₃	m, m ₁	s ₁
2442.12.012.034	12	8	34	6	4	M4	17
2442.12.014.034	14	10	34	7.5	6	M5	17
2442.12.016.034	16	10	34	7.5	6	M5	17
2442.12.020.054	20	15	54	12	9	M8	27
2442.12.025.054	25	20	54	12	10	M8	27
2442.12.026.054	26	20	54	12	10	M8	27
2442.12.030.072	30	25	72	15	14	M10	36
2442.12.032.072	32	25	72	15	14	M10	36
2442.12.042.092	42	35	92	15	18	M10	46



2442.13.

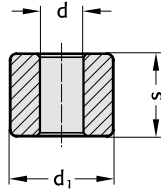


2442.13. Centering unit, flat

Order No	d ₁	d	l ₁	l ₂	l ₃	v	s ₁	t	m
2442.13.030.072	30	4	72	5	10	18	36	5	10
2442.13.042.092	42	5	92	6	14	23	46	7	10
2442.13.054.112	54	6	112	8	17	30	56	8	M12
2442.13.080.152	80	8	152	8	27	42	76	11	M16

ADJUSTING WASHER RETAINING WASHER

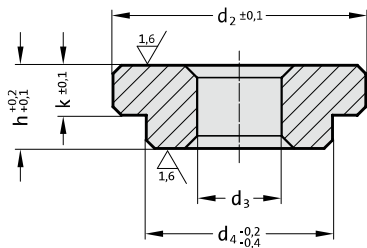
2442.12.3.



2442.12.3. Adjusting washer

Order No	d_1	d	s	Order No	d_1	d	s	Order No	d_1	d	s
2442.12.3.012.010	12	4.5	10	2442.12.3.020.020	20	8.5	20	2442.12.3.026.030	26	8.5	30
2442.12.3.014.005	14	5.5	5	2442.12.3.020.030	20	8.5	30	2442.12.3.030.010	30	12.5	10
2442.12.3.014.010	14	5.5	10	2442.12.3.020.040	20	8.5	40	2442.12.3.030.020	30	12.5	20
2442.12.3.014.014	14	5.5	14	2442.12.3.025.009	25	10.5	9	2442.12.3.030.030	30	12.5	30
2442.12.3.014.019	14	5.5	19	2442.12.3.025.010	25	10.5	10	2442.12.3.030.040	30	12.5	40
2442.12.3.016.005	16	6.5	5	2442.12.3.025.015	25	10.5	15	2442.12.3.030.050	30	12.5	50
2442.12.3.016.010	16	6.5	10	2442.12.3.025.020	25	10.5	20	2442.12.3.032.010	32	12.5	10
2442.12.3.016.015	16	6.5	15	2442.12.3.025.025	25	10.5	25	2442.12.3.032.020	32	12.5	20
2442.12.3.016.019	16	6.5	19	2442.12.3.025.035	25	10.5	35	2442.12.3.032.030	32	12.5	30
2442.12.3.016.020	16	6.5	20	2442.12.3.025.045	25	10.5	45	2442.12.3.032.040	32	12.5	40
2442.12.3.016.025	16	6.5	25	2442.12.3.025.055	25	10.5	55	2442.12.3.032.050	32	12.5	50
2442.12.3.020.009	20	8.5	9	2442.12.3.026.009	26	8.5	9	2442.12.3.042.010	42	10.5	10
2442.12.3.020.010	20	8.5	10	2442.12.3.026.010	26	8.5	10	2442.12.3.042.020	42	10.5	20
2442.12.3.020.015	20	8.5	15	2442.12.3.026.020	26	8.5	20	2442.12.3.042.030	42	10.5	30

2442.12.4.



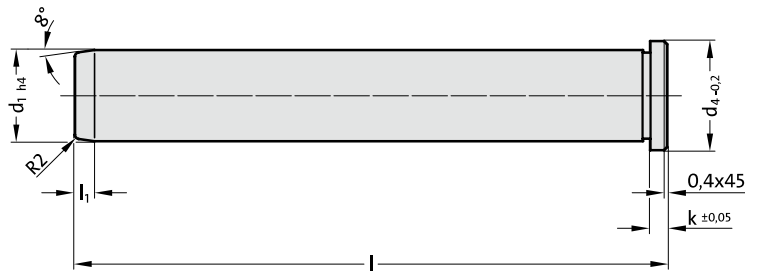
2442.12.4. Retaining washer

Order No	d_4	d_3	d_2	h	k
2442.12.4.014	14	5.5	16	5	3.2
2442.12.4.020	20	8.5	25.5	9	6.3
2442.12.4.026	26	8.5	31.5	9	6.3
2442.12.4.030	30	11	35.5	10	6.3
2442.12.4.042	42	11	47.5	10	6.3

GUIDE PILLAR



3202.12.

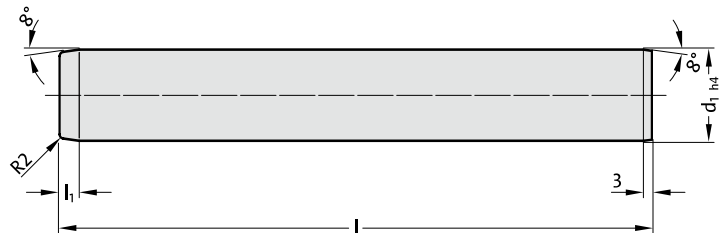


3202.12. Guide pillar

Order No	d ₁	l	d ₄	k	l ₁
3202.12.012.080	12	80	16	4	4
3202.12.012.100	12	100	16	4	4
3202.12.012.120	12	120	16	4	4
3202.12.018.120	18	120	22	6	7
3202.12.018.140	18	140	22	6	7
3202.12.018.160	18	160	22	6	7
3202.12.030.160	30	160	36	6	7
3202.12.030.200	30	200	36	6	7
3202.12.030.240	30	240	36	6	7



3202.13.



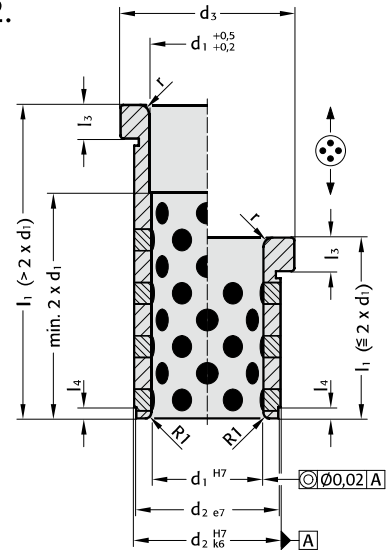
3202.13. Guide pillar

Order No	d ₁	l	l ₁
3202.13.012.100	12	100	3
3202.13.012.125	12	125	3
3202.13.018.125	18	125	6
3202.13.018.160	18	160	6
3202.13.030.160	30	160	6
3202.13.030.240	30	240	6

GUIDE BUSH WITH COLLAR, BRONZE WITH SOLID LUBRICANT



2087.72.



Material:

Bronze with solid lubricant, oilless lubricating

Note:

📖 Assembly guide lines / Dimensional requirements and tolerances at the end of chapter D.

Attention:

Bushes can only be used with axial motion!

2087.72. Guide bush with collar, Bronze with solid lubricant

d ₁	9 10	12	14 15	16	18 20	22 24	25	30 32	40 42	50	60
d ₂	14	18	20	22	26	30	32	42	54	66	80
d ₃	16	23	25	27	31	35	38	47	60	72	86
r	0.5	1	1	2	2	3	3	3	3	3	3
l ₃	3	6	6	6	6	6	6	6	10	10	20
l ₄	1.5	2	2	2	2	3	3	4	5	5	5
l ₁											
12	●										
17	●	●		●		●					
22	●	●	●	●	●	●					
27	●	●	●	●	●	●		●			
36	●	●	●	●	●	●		●			
46	●	●	●	●	●	●	●	●	●		
56	●	●	●	●	●	●	●	●	●	●	
66					●	●	●	●	●	●	
76					●	●	●	●	●	●	●
86						●	●	●	●	●	●
96						●	●	●	●	●	●
116								●	●	●	●
136									●	●	●
156									●	●	●
196										●	●

Ordering Code (example):

Guide bush with collar, Bronze with solid lubricant	=2087.72.
Diameter of conduit d ₁	22 mm = 022.
total length l ₁	17 mm = 017
Order No	=2087.72. 022. 017

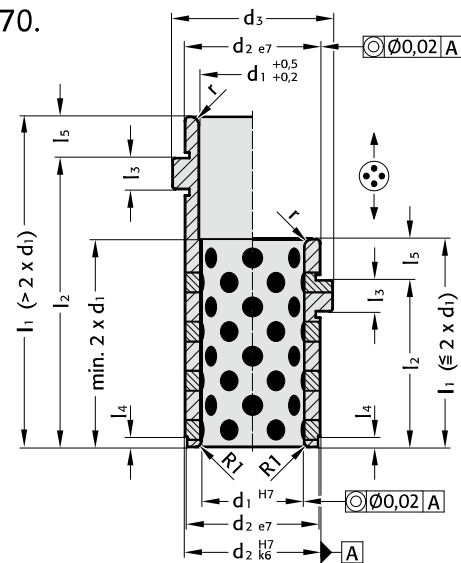
GUIDE BUSH WITH COLLAR, BRONZE WITH SOLID LUBRICANT

2087.70. Guide bush with collar, Bronze with solid lubricant

	9 10	14 15	18 20	22 24	30 32	40 42
d_1	14	20	26	30	42	54
d_2	16	25	31	35	47	60
l_3	3	6	6	6	6	10
l_4	1.5	2	2	3	4	5
l_5	3	6	8	8	8	12
r	0.5	1	2	3	3	3
l_1 / l_2						
15 12	●					
20 17	●					
25 22	●					
30 27	●					
39 36	●					
49 46	●					
59 56	●					
69 66	●					
23 17		●				
28 22		●				
33 27		●				
42 36		●				
52 46		●				
62 56		●				
72 66		●				
82 76		●				
92 86		●				
25 17			●	●		
30 22			●	●		
35 27			●	●	●	
44 36			●	●	●	
54 46			●	●	●	
64 56			●	●	●	
74 66			●	●	●	
84 76			●	●	●	
94 86			●	●	●	
104 96			●	●	●	
124 116			●	●	●	
144 136			●	●	●	
164 156			●	●	●	
58 46						●
68 56						●
78 66						●
88 76						●
98 86						●
108 96						●
128 116						●
148 136						●
168 156						●
208 196						●



2087.70.



Material:

Bronze with solid lubricant, oilless lubricating

Note:

☞ Assembly guide lines / Dimensional requirements and tolerances at the end of chapter D.

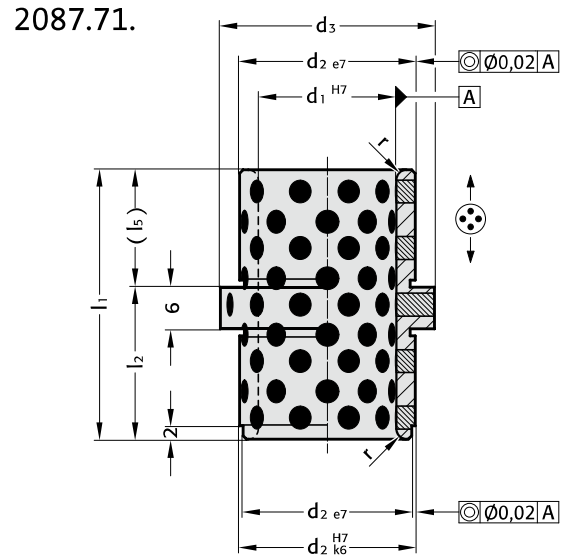
Attention:

Bushes can only be used with axial motion!

Ordering Code (example):

Guide bush with collar, Bronze with solid lubricant	=2087.70.
Diameter of conduit d_1	22 mm = 022.
Length with bush l_2	17 mm = 017
Order No	=2087.70. 022. 017

GUIDE BUSH WITH COLLAR, BRONZE WITH SOLID LUBRICANT



Material:

Bronze with solid lubricant, oilless lubricating

Note:

Assembly guide lines / Dimensional requirements and tolerances at the end of chapter D.

Attention:

Bushes can only be used with axial motion!

2087.71. Guide bush with collar, Bronze with solid lubricant

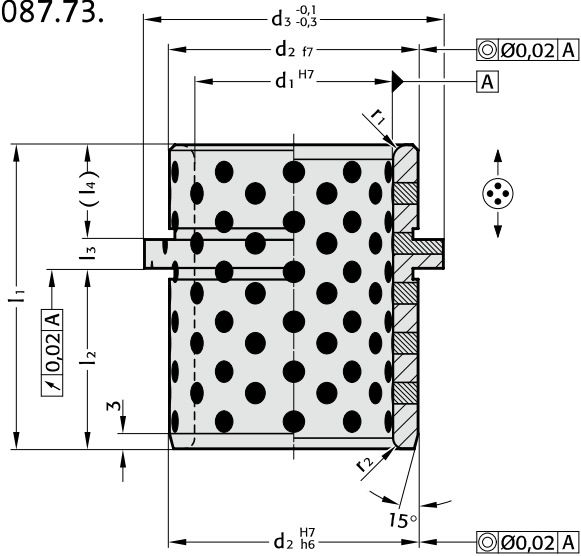
d_1	14 15	18 20	22 24	30 32
d_2	20	26	30	42
d_3	25	31	35	47
r	1	1.5	2	2
l_1	26	39	49	63
l_2	17	22	27	36
l_3	9	17	22	27

Ordering Code (example):

Guide bush with collar, Bronze with solid lubricant	=2087.71.
Diameter of conduit d_1	22 mm = 022.
Length with bush l_2	27 mm = 027
Order No	=2087.71. 022. 027

GUIDE BUSH WITH COLLAR, BRONZE WITH SOLID LUBRICANT

2087.73.



Material:

Bronze with solid lubricant, oilless lubricating

Note:

☞ Assembly guide lines / Dimensional requirements and tolerances at the end of chapter D.

Attention:

Bushes can only be used with axial motion!

2087.73. Guide bush with collar, Bronze with solid lubricant

d ₁	25	30	40	40	50	50	60	63	63	63
d ₂	35	42	50	50	63	63	80	80	80	80
d ₃	40	47	60	60	72	72	86	90	90	90
r ₁	3	3	4	4	4	4	3	4	4	4
r ₂	2	2	2	2	3	3	3	3	3	3
l ₁	43	43	60	64	77	92	78	100	95	108
l ₂	24	24	35.5	39.5	44.5	55.5	49	62.5	55.5	62.5
l ₃	7.5	7.5	6	6	8	8	7.5	8	8	8
l ₄	11.5	11.5	18.5	18.5	24.5	28.5	21.5	29.5	31.5	37.5

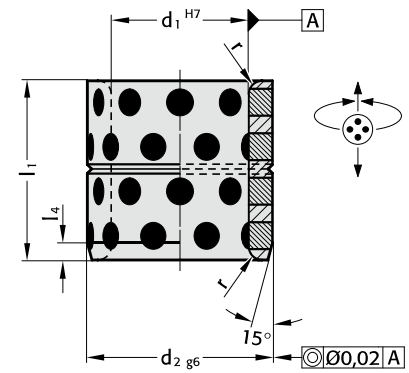
Ordering Code (example):

Guide bush with collar, Bronze with solid lubricant	=2087.73.
Diameter of conduit d ₁	50 mm = 050.
total length l ₁	77 mm = 077
Order No	=2087.73. 050. 077

GUIDE BUSH, BRONZE WITH SOLID LUBRICANT



3120.70.



Material:

Bronze with solid lubricant, oilless lubricating

Note:

Bushes can be used with radial or axial motion.

☞ Assembly guide lines / Dimensional requirements and tolerances at the end of chapter D.

Fixing:

Connecting with adhesive or if needed secure with threaded pin or flat mushroom head screw 2192.61.

3120.70. Guide bush, Bronze with solid lubricant

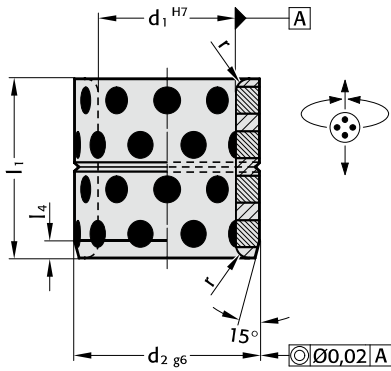
d ₁	8	10	10	12	13	14	15	16	18	20	20	20	24	25	25	25	28	30	30	30	31.5	32	35	35	38	40	40	
d ₂	12	14	15	18	19	20	21	22	24	28	26	30	32	35	32	33	38	38	40	42	40	42	45	44	48	50	55	
r	0.5	0.5	0.5	0.5	0.5	0.5	0.75	0.75	0.75	0.75	0.75	0.75	0.75	0.75	0.75	0.75	0.75	0.75	0.75	0.75	0.75	0.75	0.75	0.75	1.5	1.5	1.5	
l ₄	2	2	2	2	2	2	2	2	2	4	4	4	4	4	4	4	4	4	4	4	4	4	4	4	4	4	4	
l ₁																												
8	●	●																										
10	●	●	●	●	●	●	●	●																				
12	●	●	●	●	●	●	●	●	●																			
15	●	●	●	●	●	●	●	●	●	●	●	●	●	●	●	●	●	●	●	●	●	●	●	●	●	●	●	●
16	●	●	●	●	●	●	●	●	●	●	●	●	●	●	●	●	●	●	●	●	●	●	●	●	●	●	●	●
20	●	●	●	●	●	●	●	●	●	●	●	●	●	●	●	●	●	●	●	●	●	●	●	●	●	●	●	●
25	●	●	●	●	●	●	●	●	●	●	●	●	●	●	●	●	●	●	●	●	●	●	●	●	●	●	●	●
30	●	●	●	●	●	●	●	●	●	●	●	●	●	●	●	●	●	●	●	●	●	●	●	●	●	●	●	●
35	●	●	●	●	●	●	●	●	●	●	●	●	●	●	●	●	●	●	●	●	●	●	●	●	●	●	●	●
37	●	●	●	●	●	●	●	●	●	●	●	●	●	●	●	●	●	●	●	●	●	●	●	●	●	●	●	●
40	●	●	●	●	●	●	●	●	●	●	●	●	●	●	●	●	●	●	●	●	●	●	●	●	●	●	●	●
47	●	●	●	●	●	●	●	●	●	●	●	●	●	●	●	●	●	●	●	●	●	●	●	●	●	●	●	●
50	●	●	●	●	●	●	●	●	●	●	●	●	●	●	●	●	●	●	●	●	●	●	●	●	●	●	●	●
60	●	●	●	●	●	●	●	●	●	●	●	●	●	●	●	●	●	●	●	●	●	●	●	●	●	●	●	●
70	●	●	●	●	●	●	●	●	●	●	●	●	●	●	●	●	●	●	●	●	●	●	●	●	●	●	●	●
77	●	●	●	●	●	●	●	●	●	●	●	●	●	●	●	●	●	●	●	●	●	●	●	●	●	●	●	●
80	●	●	●	●	●	●	●	●	●	●	●	●	●	●	●	●	●	●	●	●	●	●	●	●	●	●	●	●

Ordering Code (example):

Guide bush, Bronze with solid lubricant	=3120.70.
Diameter of conduit d ₁	40 mm = 040.
Outer diameter d ₂	55 mm = 055.
Installation length l ₁	25 mm = 025
Order No	=3120.70. 040. 055.025

GUIDE BUSH, BRONZE WITH SOLID LUBRICANT

3120.70.



Material:

Bronze with solid lubricant, oilless lubricating

Note:

Bushes can be used with radial or axial motion.

Assembly guide lines / Dimensional requirements and tolerances at the end of chapter D.

Fixing:

Connecting with adhesive or if needed secure with threaded pin or flat mushroom head screw 2192.61.

3120.70. Guide bush, Bronze with solid lubricant

d_1	45	45	45	50	50	50	55	60	60	63	65	70	70	75	75	80	80	85	90	100	110	120	125	130	140	150	160																																																																																																																																																																																																																																																																																																																																																																																										
d_2	55	56	60	60	62	65	70	74	75	75	80	85	90	90	95	96	100	100	110	120	130	140	145	150	160	170	180																																																																																																																																																																																																																																																																																																																																																																																										
r	1.5	1.5	1.5	1.5	1.5	1.5	2	2	2	2	2	2	2	2	2	2	2	2	2	2	2	2	2	2	2	2	2																																																																																																																																																																																																																																																																																																																																																																																										
l_4	4	4	4	4	4	4	4	4	4	4	4	4	4	4	4	4	4	4	4	4	4	4	4	4	4	4	4																																																																																																																																																																																																																																																																																																																																																																																										
l_1	<table border="1"> <tr><td>30</td><td>•</td><td>•</td><td>•</td><td>•</td><td>•</td><td>•</td><td></td><td></td><td></td><td></td><td></td><td></td><td></td><td></td><td></td><td></td><td></td><td></td><td></td><td></td><td></td><td></td><td></td><td></td><td></td><td></td><td></td><td></td></tr> <tr><td>35</td><td>•</td><td>•</td><td>•</td><td>•</td><td>•</td><td>•</td><td></td><td></td><td></td><td></td><td></td><td>•</td><td></td><td></td><td></td><td></td><td></td><td></td><td></td><td></td><td></td><td></td><td></td><td></td><td></td><td></td><td></td><td></td></tr> <tr><td>40</td><td>•</td><td>•</td><td>•</td><td>•</td><td>•</td><td>•</td><td></td><td></td><td></td><td></td><td></td><td></td><td></td><td></td><td></td><td></td><td></td><td></td><td></td><td></td><td></td><td></td><td></td><td></td><td></td><td></td><td></td><td></td></tr> <tr><td>50</td><td>•</td><td>•</td><td>•</td><td>•</td><td>•</td><td>•</td><td></td><td></td><td></td><td></td><td></td><td></td><td></td><td></td><td></td><td></td><td></td><td></td><td></td><td></td><td></td><td></td><td></td><td></td><td></td><td></td><td></td><td></td></tr> <tr><td>60</td><td>•</td><td>•</td><td>•</td><td>•</td><td>•</td><td>•</td><td></td><td></td><td></td><td></td><td></td><td></td><td></td><td></td><td></td><td></td><td></td><td></td><td></td><td></td><td></td><td></td><td></td><td></td><td></td><td></td><td></td><td></td></tr> <tr><td>70</td><td></td><td></td><td></td><td>•</td><td>•</td><td>•</td><td></td><td></td><td></td><td></td><td></td><td></td><td></td><td></td><td></td><td></td><td></td><td></td><td></td><td></td><td></td><td></td><td></td><td></td><td></td><td></td><td></td><td></td></tr> <tr><td>80</td><td></td><td></td><td></td><td>•</td><td>•</td><td>•</td><td></td><td></td><td></td><td></td><td></td><td></td><td></td><td></td><td></td><td></td><td></td><td></td><td></td><td></td><td></td><td></td><td></td><td></td><td></td><td></td><td></td><td></td></tr> <tr><td>95</td><td></td><td></td><td></td><td>•</td><td></td><td></td><td></td><td></td><td></td><td></td><td></td><td></td><td></td><td></td><td></td><td></td><td></td><td></td><td></td><td></td><td></td><td></td><td></td><td></td><td></td><td></td><td></td><td></td></tr> <tr><td>100</td><td></td><td></td><td></td><td></td><td></td><td></td><td></td><td></td><td></td><td></td><td></td><td></td><td></td><td></td><td></td><td></td><td></td><td></td><td></td><td></td><td></td><td></td><td></td><td></td><td></td><td></td><td></td><td></td></tr> <tr><td>120</td><td></td><td></td><td></td><td></td><td></td><td></td><td></td><td></td><td></td><td></td><td></td><td></td><td></td><td></td><td></td><td></td><td></td><td></td><td></td><td></td><td></td><td></td><td></td><td></td><td></td><td></td><td></td><td></td></tr> <tr><td>130</td><td></td><td></td><td></td><td></td><td></td><td></td><td></td><td></td><td></td><td></td><td></td><td></td><td></td><td></td><td></td><td></td><td></td><td></td><td></td><td></td><td></td><td></td><td></td><td></td><td></td><td></td><td></td><td></td></tr> <tr><td>140</td><td></td><td></td><td></td><td></td><td></td><td></td><td></td><td></td><td></td><td></td><td></td><td></td><td></td><td></td><td></td><td></td><td></td><td></td><td></td><td></td><td></td><td></td><td></td><td></td><td></td><td></td><td></td><td></td></tr> <tr><td>150</td><td></td><td></td><td></td><td></td><td></td><td></td><td></td><td></td><td></td><td></td><td></td><td></td><td></td><td></td><td></td><td></td><td></td><td></td><td></td><td></td><td></td><td></td><td></td><td></td><td></td><td></td><td></td><td></td></tr> </table>																												30	•	•	•	•	•	•																							35	•	•	•	•	•	•						•																	40	•	•	•	•	•	•																							50	•	•	•	•	•	•																							60	•	•	•	•	•	•																							70				•	•	•																							80				•	•	•																							95				•																									100																													120																													130																													140																													150																												
30	•	•	•	•	•	•																																																																																																																																																																																																																																																																																																																																																																																																															
35	•	•	•	•	•	•						•																																																																																																																																																																																																																																																																																																																																																																																																									
40	•	•	•	•	•	•																																																																																																																																																																																																																																																																																																																																																																																																															
50	•	•	•	•	•	•																																																																																																																																																																																																																																																																																																																																																																																																															
60	•	•	•	•	•	•																																																																																																																																																																																																																																																																																																																																																																																																															
70				•	•	•																																																																																																																																																																																																																																																																																																																																																																																																															
80				•	•	•																																																																																																																																																																																																																																																																																																																																																																																																															
95				•																																																																																																																																																																																																																																																																																																																																																																																																																	
100																																																																																																																																																																																																																																																																																																																																																																																																																					
120																																																																																																																																																																																																																																																																																																																																																																																																																					
130																																																																																																																																																																																																																																																																																																																																																																																																																					
140																																																																																																																																																																																																																																																																																																																																																																																																																					
150																																																																																																																																																																																																																																																																																																																																																																																																																					

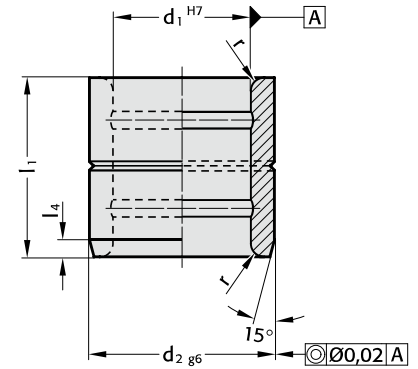
Ordering Code (example):

Guide bush, Bronze with solid lubricant	=3120.70.
Diameter of conduit d_1	40 mm = 040.
Outer diameter d_2	55 mm = 055.
Installation length l_1	25 mm = 025
Order No	=3120.70. 040. 055.025

GUIDE BUSH, BRONZE



3120.71.



Material:

Bronze

Note:

Bushes can be used with radial or axial motion.

☞ Assembly guide lines / Dimensional requirements and tolerances at the end of chapter D.

Fixing:

Connecting with adhesive or if needed secure with threaded pin or flat mushroom head screw 2192.61.

3120.71. Guide bush, Bronze

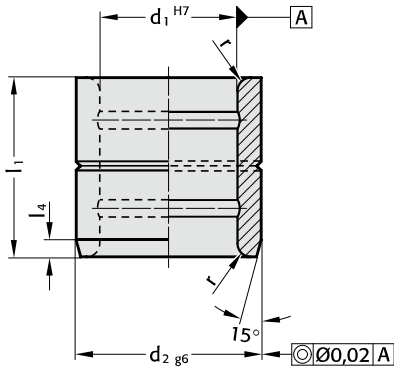
d ₁	8	10	10	12	13	14	15	16	18	20	20	20	24	25	25	25	28	30	30	30	31.5	32	35	35	38	40	40
d ₂	12	14	15	18	19	20	21	22	24	28	26	30	32	35	32	33	38	38	40	42	40	42	45	44	48	50	55
r	0.5	0.5	0.5	0.5	0.5	0.5	0.75	0.75	0.75	0.75	0.75	0.75	0.75	0.75	0.75	0.75	0.75	0.75	0.75	0.75	0.75	0.75	0.75	0.75	1.5	1.5	1.5
l ₁	2	2	2	2	2	2	2	2	2	4	4	4	4	4	4	4	4	4	4	4	4	4	4	4	4	4	4
l ₂																											
8	●	●																									
10	●	●	●	●	●	●	●	●																			
12	●	●		●	●	●	●	●																			
15	●	●		●	●	●	●	●	●	●																	
16				●	●	●	●	●	●	●																	
20		●		●	●	●	●	●	●	●																	
25				●	●	●	●	●	●	●																	
30				●	●	●	●	●	●	●																	
35																											
37																											
40																											
47																											
50																											
60																											
70																											
77																											
80																											

Ordering Code (example):

Guide bush, Bronze	=3120.71.
Diameter of conduit d ₁	40 mm = 040.
Outer diameter d ₂	55 mm = 055.
Installation length l ₁	25 mm = 025
Order No	=3120.71. 040. 055. 025

GUIDE BUSH, BRONZE

3120.71.



Material:

Bronze

Note:

Bushes can be used with radial or axial motion.

Assembly guide lines / Dimensional requirements and tolerances at the end of chapter D.

Fixing:

Connecting with adhesive or if needed secure with threaded pin or flat mushroom head screw 2192.61.

3120.71. Guide bush, Bronze

d ₁	45	45	45	50	50	50	55	60	60	63	65	70	70	75	75	80	80	85	90	100	110	120	125	130	140	150	160	
d ₂	55	56	60	60	62	65	70	74	75	75	80	85	90	90	95	96	100	100	110	120	130	140	145	150	160	170	180	
r	1.5	1.5	1.5	1.5	1.5	1.5	2	2	2	2	2	2	2	2	2	2	2	2	2	2	2	2	2	2	2	2	2	
l ₂	4	4	4	4	4	4	4	4	4	4	4	4	4	4	4	4	4	4	4	4	4	4	4	4	4	4	4	
l ₁																												
30	•	•	•	•	•	•																						
35	•	•	•	•	•	•																						
40	•	•	•	•	•	•																						
50	•	•	•	•	•	•																						
60	•	•	•	•	•	•																						
70				•	•	•																						
80				•	•	•																						
95				•																								
100																												
120																												
130																												
140																												
150																												

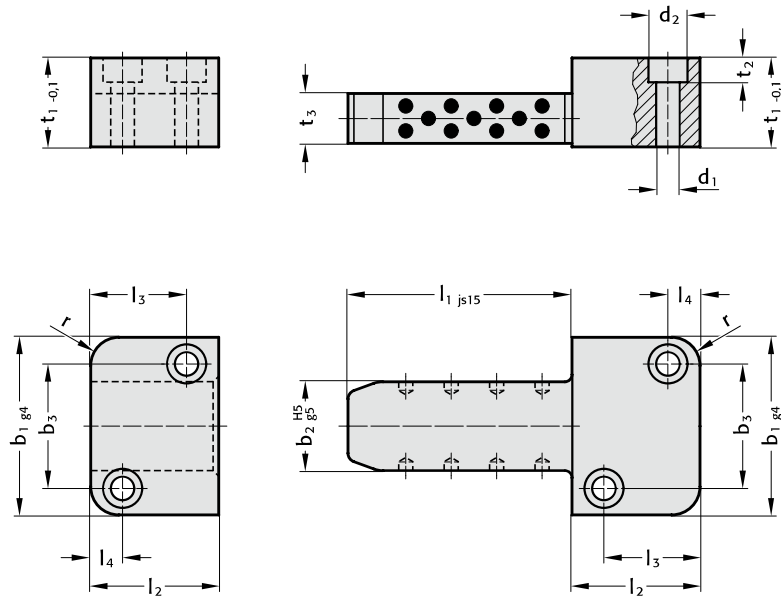
Ordering Code (example):

Guide bush, Bronze	=3120.71.
Diameter of conduit d ₁	40 mm = 040.
Outer diameter d ₂	55 mm = 055.
Installation length l ₁	25 mm = 025
Order No	=3120.71. 040. 055. 025

RECTANGULAR GUIDE, STEEL WITH SOLID LUBRICANT



3131.40.



Material:

Steel with solid lubricant
Surface: case hardened, 580+40 HV 30

Steel

Surface: case hardened, 700+60 HV 30

Note:

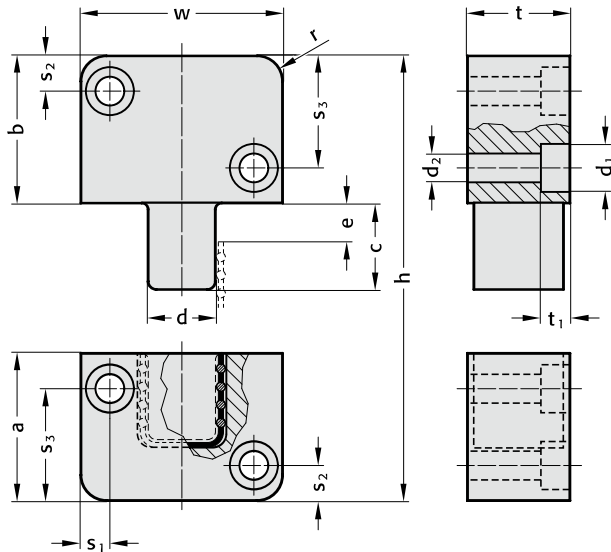
The maximum operating temperature is 200°C.

3131.40. Rectangular Guide, Steel with solid lubricant

Order No	l_2	b_2	l_1	b_1	r	t_1	t_2	t_3	d_1	d_2	b_3	l_3	l_4
3131.40.022.016.020	22	16	20	40	6	20	6.8	11	6.6	11	26	15	7
3131.40.022.016.040	22	16	40	40	6	20	6.8	11	6.6	11	26	15	7
3131.40.027.020.025	27	20	25	45	6	22	6.8	13	6.6	11	31	19	7
3131.40.027.020.050	27	20	50	45	6	22	6.8	13	6.6	11	31	19	7
3131.40.036.025.032	36	25	32	50	8	25	6.8	14	6.6	11	35	27	9
3131.40.036.025.063	36	25	63	50	8	25	6.8	14	6.6	11	35	27	9
3131.40.046.032.040	46	32	40	63	8	32	9	19	9	15	45	35	11
3131.40.046.032.080	46	32	80	63	8	32	9	19	9	15	45	35	11
3131.40.056.040.050	56	40	50	85	10	36	11	22	11	18	60	40	15
3131.40.056.040.100	56	40	100	85	10	36	11	22	11	18	60	40	15
3131.40.066.050.056	66	50	56	100	10	40	13	24	14	20	74	48	18
3131.40.066.050.112	66	50	112	100	10	40	13	24	14	20	74	48	18

RECTANGULAR GUIDE, STEEL WITH ROLLERS

3131.80.



Description:

The rectangular guides with rollers guarantee the greatest precision when their mould is moved together. The rectangular guides must always be installed in the outer area of the mould plates to ensure problem-free functionality.

Advantages: no play or friction, low maintenance and no lubrication

Material:

Steel
Hardness: 56-58 HRC
Surface: burnished

Note:

The maximum operating temperature is 150°C.

3131.80. Rectangular guide, Steel with Rollers

Order No	t	w	a	b	c	d	e	h	r	s ₁	s ₂	s ₃	d ₁	d ₂	t ₁
3131.80.032.063	32	63	46	46	27	21	12.1	92	8	9	11	35	15	9	9
3131.80.040.100	40	100	66	66	36	33	19.5	132	10	13	18	48	20	13.5	13