

Any non-compliance shall obligate the violator to compensate for damages. In case any patent is issued or a utility model is registered, or in case of any other industrial property rights, all such rights must be reserved for us.

BEDIA Motorentechnik GmbH & Co.KG, Altdorf bei Nürnberg

The copyright to this drawing belongs to us. No duplication or transfer to, providing access to or communicating to any third parties is allowed of its contents or excerpts thereof. This drawing may not be used without our approval for any purpose other than that for which it has been entrusted to the recipient.

Technical data

Medium	water, coolant
Function	minimum - quiescent current (rc)
Operating voltage	12 / 24 V (-25% / +50%) (9 - 36 VDC)
Current consumption	< 8 mA
Output	low side switch ≤ 1 A over the whole temperature range short-circuit and overload protected over the ambient temperature range. At inductive loads freewheeling diode e.g. 1N4007, has to be mounted at the load.
Mounting thread	M18x1,5
Function control	2 seconds ± 5%
Fault indication delay	7 seconds ± 5% [ⓑ]
Connection	connector ISO 15170-A1-3.1-Sn/K1 (former DIN72585)
Housing material	X5CrNi18 10 EN 10088-3:1.4301 capacitive connected to ground
Probe coating	Tefzel® ETFE
Probe protection	IP 69K to DIN40050 with mounted mating connector [ⓑ]
Weight	[ⓐ] approx. 85 g
Marking	manufacturer; type; manufacturer no.; SN; year / week; approvals
Switch point hysteresis	[ⓑ] < 3 mm
Medium temperature	-40 °C to +125 °C (-40 °F to +257 °F)
Ambient temperature	-40 °C to +125 °C (-40 °F to +257 °F)
Storage temperature	-50 °C to +125 °C (-58 °F to +257 °F)
Mounting position	optional
Reverse polarity protection	inbuilt between positive and negative terminal

Caution !!

Do not connect negative potential to signal terminal of the sensor and positive potential to negative terminal of the sensor.

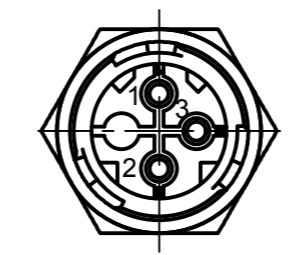
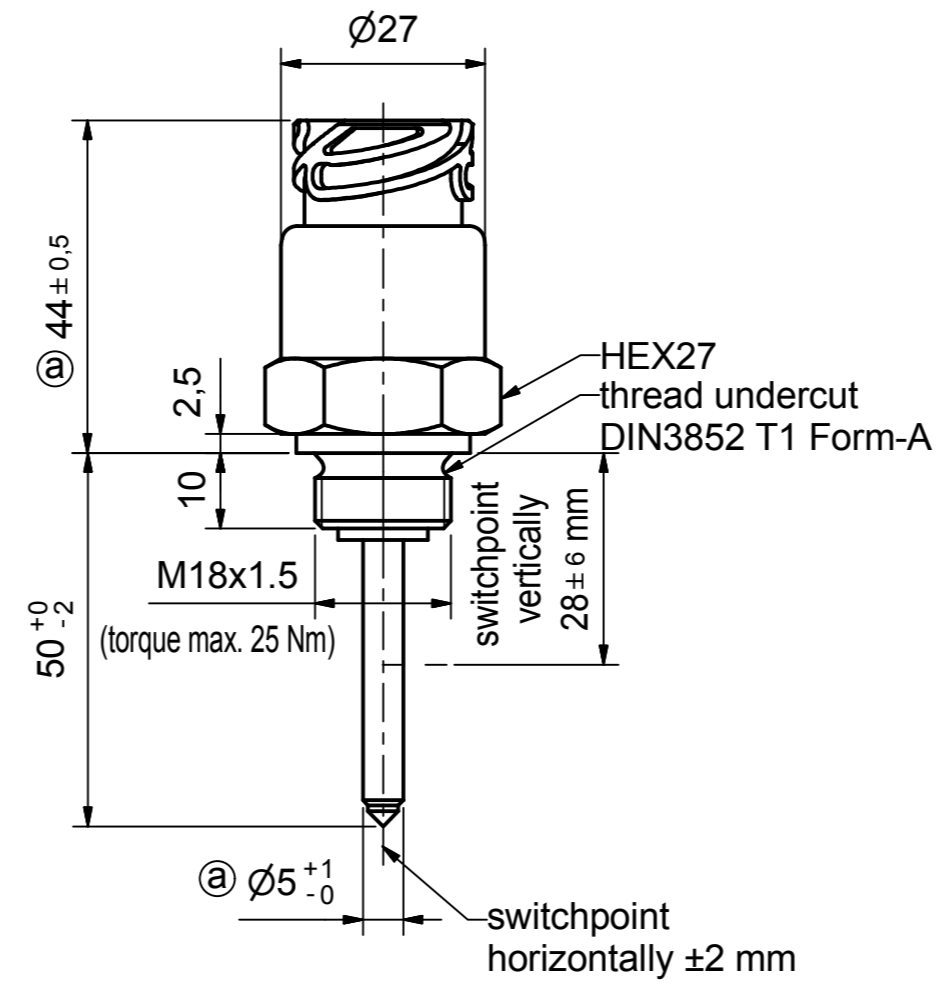
Approvals	ABS, BV, CCS, DNV, GL, KR, LR, NKK, RINA, RMRS
Customs tariff number	90261029

Environmental simulations

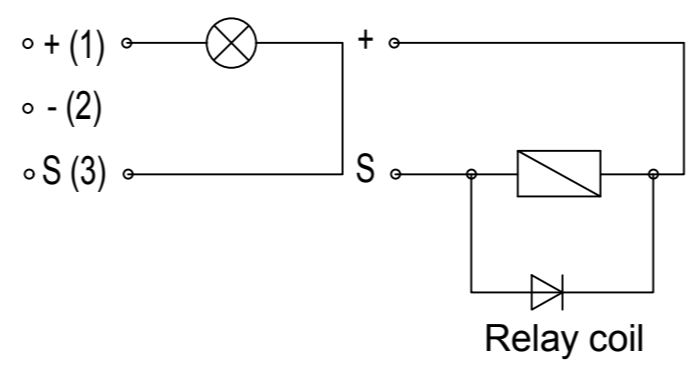
Vibration	ISO 16750-3:2007	10 Hz - 2000 Hz 20 g
Free Fall	IEC 16750	
Mechanical Shock	DIN EN 60068-2-27:1995;	100 g / 11ms
Dry Cold	DIN EN 60068-2-1:2006;	-40 °C / 24 h (-40 °F / 24 h)
Dry Heat	DIN EN 60068-2-2:2008;	+125 °C / 96 h (+257 °F / 96 h)
Temperature cycling	DIN EN 60068-2-14:2000	
Damp Heat	DIN EN 60068-2-78:2002	
Damp Heat, steady state	DIN EN 60068-2-30:2006	
Salt spray	DIN EN 60068-2-52:1996	
Flame retardant	DIN 75 200	
Pressure resistance	2,5 MPa (25 bar / 362,6 psi)	(25°C / 77°F / 1 h)

EMC

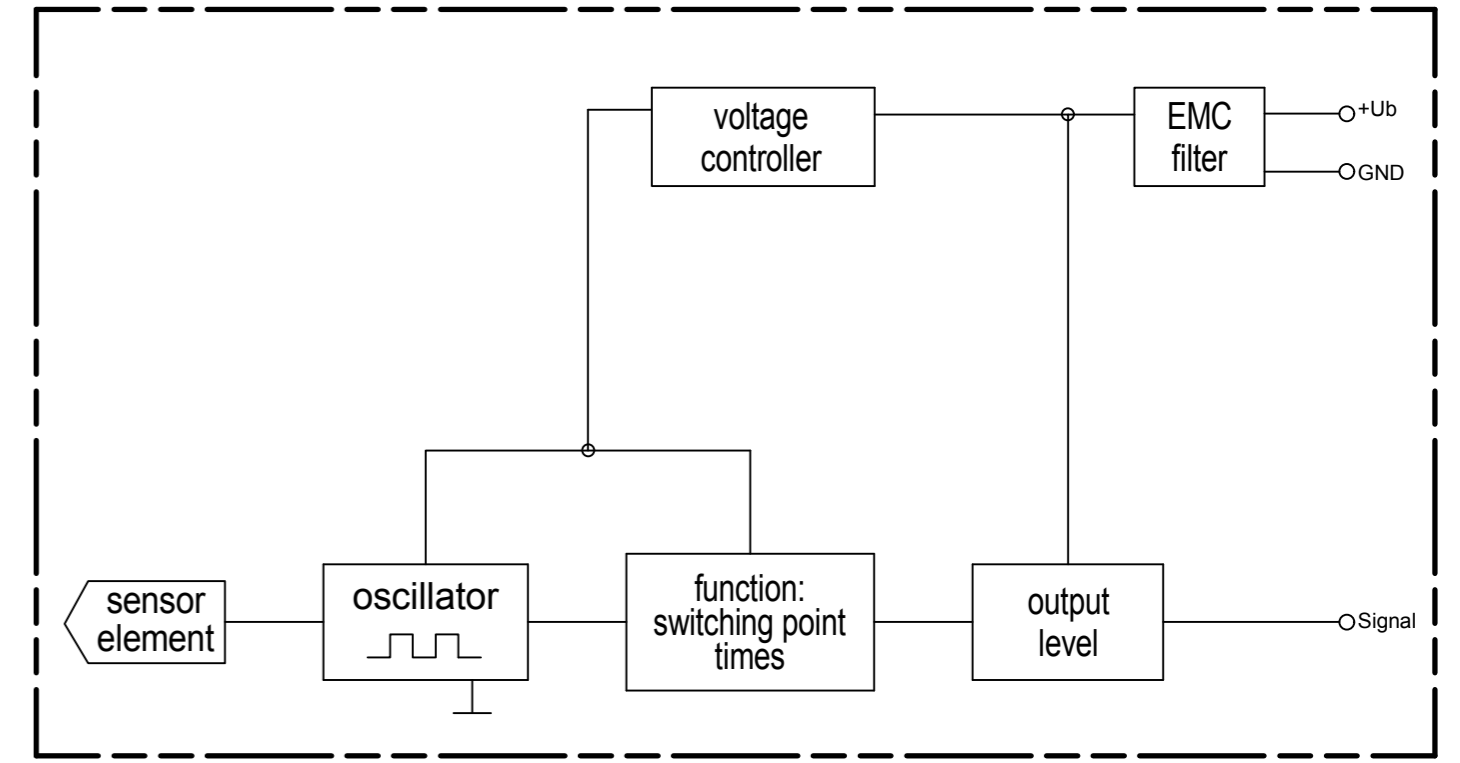
Conducted emission from the power port	CISPR 16	10 kHz - 30 MHz
Electric field radiated emissions	CISPR 16	150 kHz - 2 GHz
RF electromagnetic fields	EN 61000-4-3	1 MHz - 2 GHz; 100 V / m
Conducted interference	EN 61000-4-6	150 kHz - 80 MHz; 10 V
Conducted interference	IEC 60533	50 Hz - 10 kHz; 3 V / 0,5 V
ESD	EN 61000-4-2	± 8 kV Contact / Air discharge
Burst	EN 61000-4-4	± 2 kV DC power port / signal lines
Surge	EN 61000-4-5	± 1 kV line <-> ground ± 0,5 kV line <-> line
High voltage	IEC 60092-504	550 V
Power supply variations and interruptions	EN 61000-4-11	Ub +50% / -25%



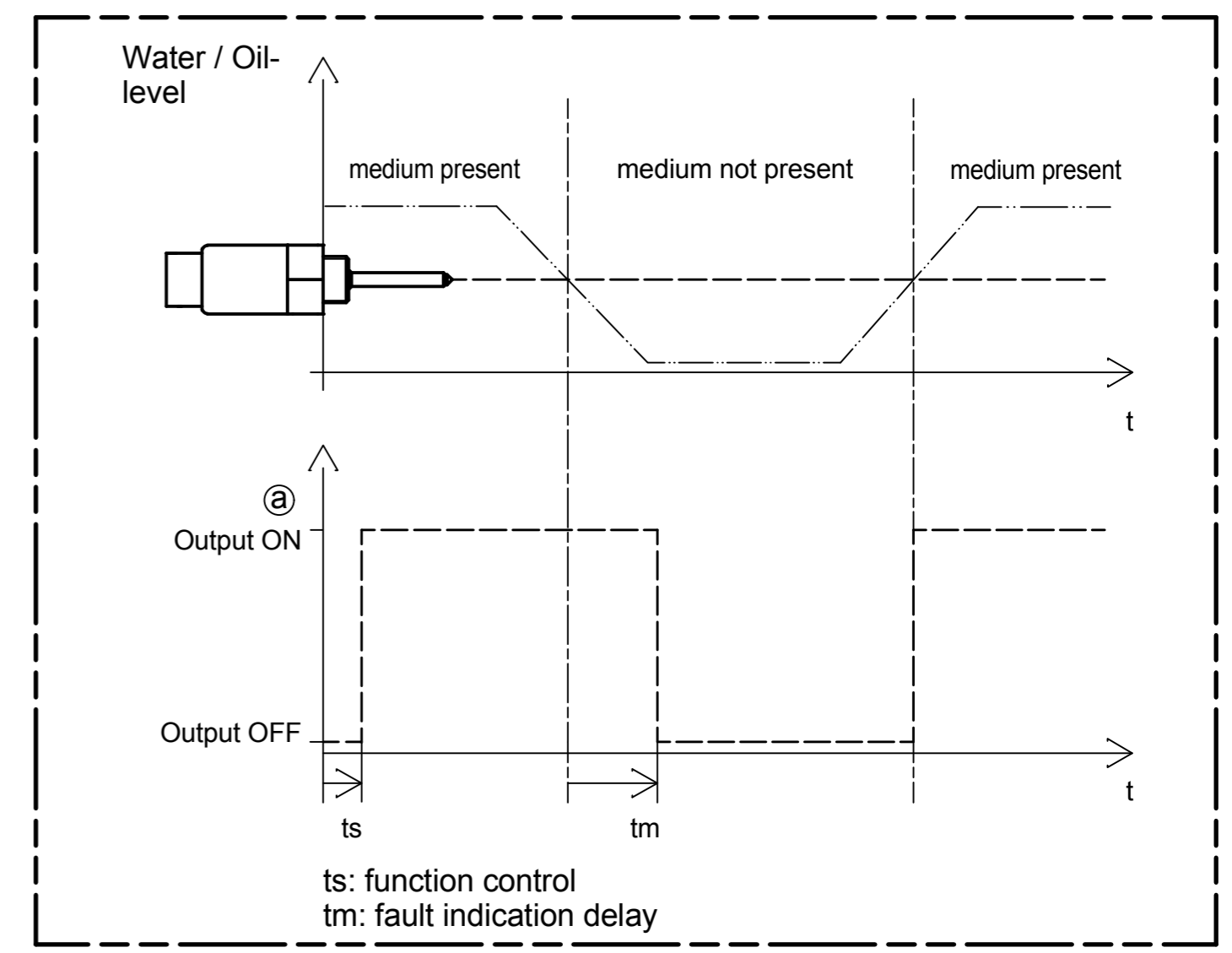
1 = positive (+)
2 = negative (-)
3 = signal (S)



Block diagram



Functional diagram for MINIMUM Probes



field of application	admissible tolerance	surface	scale 1:1	position -	amount -
	ISO2768-mK				
	date	name	description		
	created by 22.02.2010	MoeMi	CLS-50 water level sensor		
	checked by 22.02.2010	SasCh	low side switch - quiescent current [ⓑ]		
			with connector ISO 15170-A1-3.1-Sn/K1		
			drawing number		sheet
b new standard	29.03.12	BerVi/StaRo	BEDIA®	500091	1/1
a revised	15.02.11	MoeMi/SasCh			
rev. modification	date	name/checked by	drawing path: I:\CAD\500\500091\US\idw		