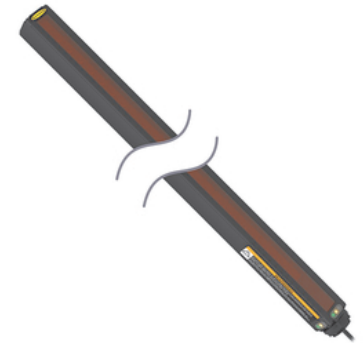
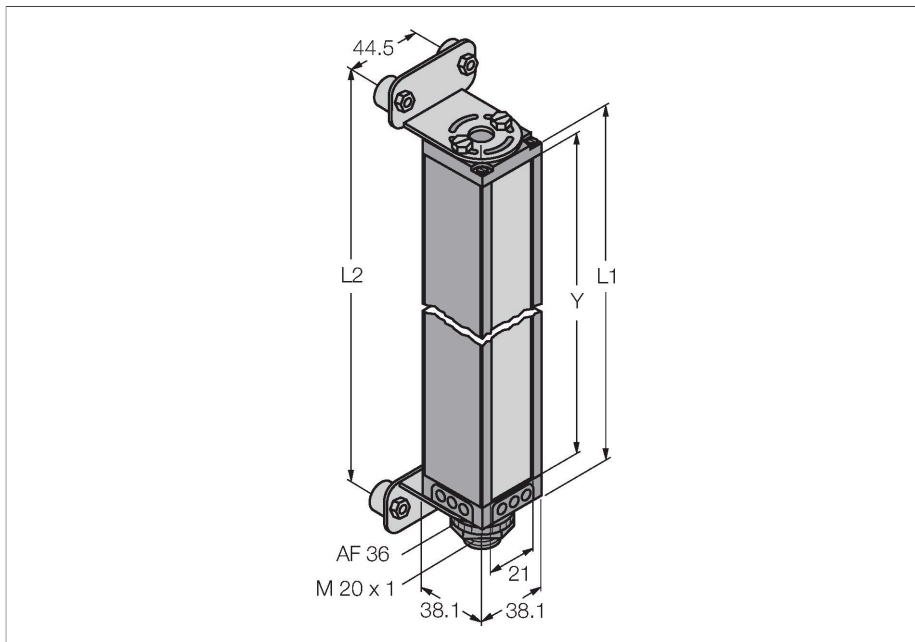


MAE7216Q

Measuring light screen – Emitter



Features

- 150 mm cable with male connector, M12 × 1, 8-pin
- Scan field (Y): 1819 mm
- Resolution: 19 mm
- Range: 13.5 m
- Operating voltage: 16...30 VDC

Technical data

Type	MAE7216Q
ID	3072507
Optical data	
Function	Light screen
Operating mode	Emitter
Light type	IR
Optical resolution	9.5 mm
Range	0...13500 mm
Scan field	1819 mm
Number of beams	96
Electrical data	
Operating voltage	16...30 VDC
Reverse polarity protection	yes
Response time typical	< 54.2 ms
Mechanical data	
Design	Rectangular, Mini Array
Dimensions	38.1 x 38.1 x 1908 mm
Housing material	Metal, AL
Lens	plastic, Acrylic
Electrical connection	Cable with connector, M12 × 1, 0.15 m
Number of cores	8
Ambient temperature	-40...+70 °C
Protection class	IP65

Functional principle

Measuring light screens are ideally suited for precise detection and inspection tasks such as sizing, product profiling, edge and center guiding, and detecting holes. Every system consists of an emitter and a receiver that has two reversible switching outputs. In addition, data is also transmitted via RS485. The device can be parametrized via the PC with software. The response times are dependent on the scan field and the scan mode set. Detailed information on this can be found in the instruction manual.

Technical data

Tests/approvals

Approvals	CE
Approvals	CE cULus recognized

Accessories

Dimension drawing	Type	ID	
	RKS8T-2/TEL	6625446	Connection cable, M12 female connector, straight, 8-pin, cable length: 2 m, sheath material: PVC, black; shielded; cULus approval; other cable lengths and qualities available, see www.turck.com
	WKS8T-2/TEL	6625449	Connection cable, M12 female connector, angled, 8-pin, cable length: 2 m, sheath material: PVC, black; shielded; cULus approval; other cable lengths and qualities available, see www.turck.com