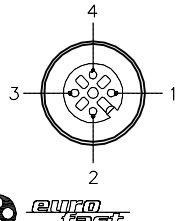


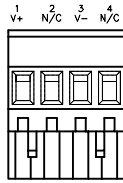
S1, S2 CONNECTORS

TERMINAL BLOCK PLUGS

SPECIFICATIONS

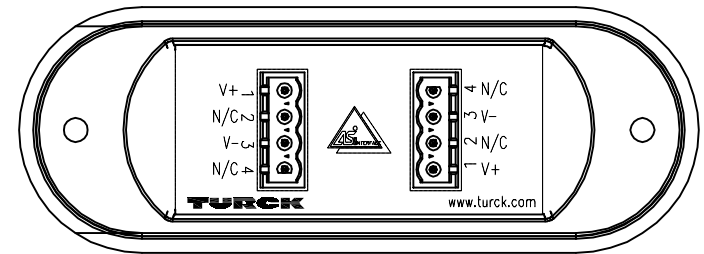
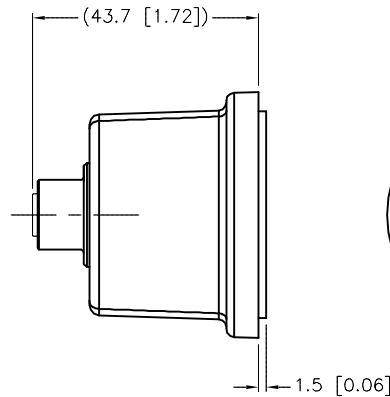
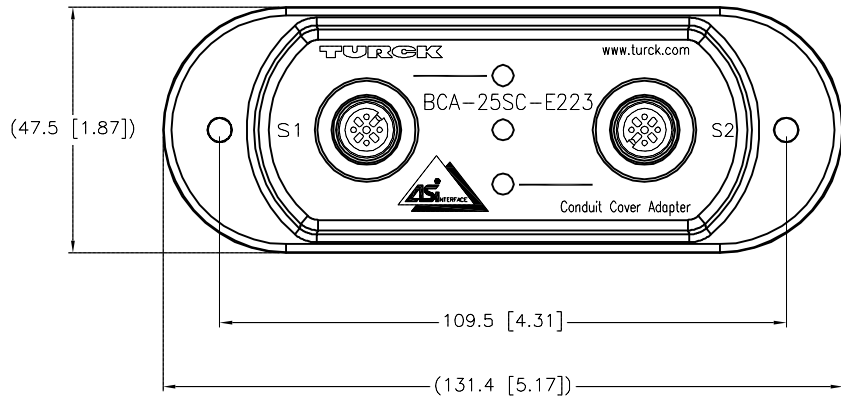


1 = + VOLTAGE
2 = N/C
3 = - VOLTAGE
4 = N/C



1 = + VOLTAGE
2 = N/C
3 = - VOLTAGE
4 = N/C

HOUSING MATERIAL	NYLON 66 - 33% GLASS FILLED/BLACK
RECEPTACLE HOUSING MATERIAL/FINISH	STAINLESS STEEL/PASSIVATED
CONTACT CARRIERS/COLOR	TPU/BLACK
CONTACT MATERIAL/PLATING	BRASS/GOLD
OPERATING VOLTAGE	18-31 V
OPERATING CURRENT	< 11 mA
OUTPUT CURRENT LIMIT	280 mA
PROTECTION CLASS to DIN 40050	IP 67 - ONLY WHEN ALL RECEPTACLES ARE COVERED WITH PLUGS OR CONNECTED
OPERATING TEMPERATURE	-30°C to +80°C (-22°F to +176°F)
LED, INDICATION: GREEN	BUS POWER
LED, INDICATION: RED	SHORT-CIRCUIT INDICATION



NOTE:

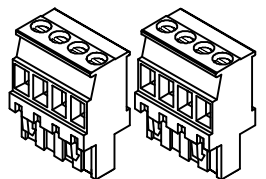
1. THIS DEVICE IS EQUIVALENT TO ONE (1) SLAVE ON THE NETWORK.

SOURCE DRAWING - FOR REFERENCE ONLY

COVER SCREWS INCLUDED

FORM 8 CONDUIT BODIES:
10-24 SCREWS

MARK 9 CONDUIT BODIES:
8-32 SCREWS



TERMINAL PLUGS INCLUDED

RELATED DOCUMENTS 1. 2. 3. 4.	3RD ANGLE PROJECTION 	THIS DRAWING IS CONFIDENTIAL AND THE PROPERTY OF TURCK INC. USE OF THIS DOCUMENT WITHOUT WRITTEN PERMISSION IS PROHIBITED.		3000 CAMPUS DRIVE MINNEAPOLIS, MN 55441 1-800-544-7769 (763) 553-7300 (763) 553-0708 fax turck.com	
	MATERIAL	DRFT DF	DATE 04/20/05	DESCRIPTION BCA-25SC-E223	
FINISH	ALL DIMENSIONS DISPLAYED ON THIS DRAWING ARE FOR REFERENCE ONLY	APVD DF	SCALE 1=1.5	IDENTIFICATION NO. U3-00279	
	CONTACT TURCK FOR MORE INFORMATION	UNIT OF MEASUREMENT MILLIMETER [INCH]		REV D	
		DO NOT SCALE THIS DRAWING		FILE: U3-00279	
				SHEET 1 OF 1	

D	ADD THICKER GASKET	RDS	09/12/13	42993
REV	DESCRIPTION	BY	DATE	ECO NO.