

BEH-531H

300 Watt

- ✓ High efficiency up to 91 %
- ✓ No minimum load required!
- ✓ ErP Lot6 2013 ready!
- ✓ Wide temperature range -10...+60 °C
- ✓ Designed for continuous operation 24/7
- ✓ Low noise due to temperature regulated fan
- ✓ Compact design



NEW



AC input

Technical data	
Input voltage	90...264 V AC, active PFC
Input frequency	47...63 Hz
Input current	3 A (230 V AC) / 6 A (115 V AC)
Inrush current	83 A (230 V AC)
Efficiency	See diagram
Hold up time	12 ms (230 V AC and 80 % load)
Power-Good-Signal	Switch on delay 100...500 ms Switch off delay 1 ms
Protection	Short circuit protection: +3.3V, +5V, +12V: latch, -12V: latch off / 5V _{sb} auto output restart Overload protection: switch off at 150 % Overvoltage protection: +3.3 V (+4.5 V), +5 V (+7 V), +12 V (+16.0 V)
Earth leakage current	<3.5 mA (264 V AC), 50Hz
Safety / EMC	EN/UL 62368, CE
Temperature	Operating: -10...+60 °C / Storage: -40...+80 °C
Derating	From +50...+60 °C, 2 %/ °C
MTBF	>100000 h according to MIL-HDBK-217F at +25 °C without fan
Max. operation altitude	5000 m
Humidity	Operating: 10 %...85 % RH, non-condensing Storage: 10...95 % RH, non-condensing
Dimensions (WxDxH)	81.5 x 150 x 40.5 mm ±0.5 mm
Weight (net)	0.83 kg incl. cable harness

Article No.	Output voltage	Output current		Load regulation	Ripple & Noise
		min	max		
BEH-531H	+3.3 V	0 A	12 A	±5 %	50 mV
	+5 V	0 A	14 A	±5 %	50 mV
	+12 V	0 A	25 A	±5 %	120 mV
	-12 V	0 A	0.3 A	±10 %	120 mV
	+5 V _{sb}	0 A	3 A	±5 %	50 mV

Max. output on +3.3 V and +5 V combined shall not exceed 70 W. Ripple and Noise was measured by a 20 MHz bandwidth limited oscilloscope with connected 10 µF electrolytic capacitor and 0.1 µF ceramic capacitor at each output. Ripple and Noise can deviate if start is at temperatures below 0°.

As a power component this PSU is for assembly purposes only and must not be operated in unassembled condition.

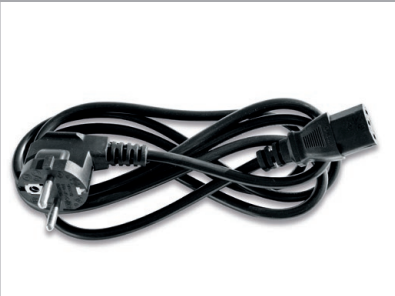
The final assembly has to comply with the valid EMC and safety standards.

Optional Accessories

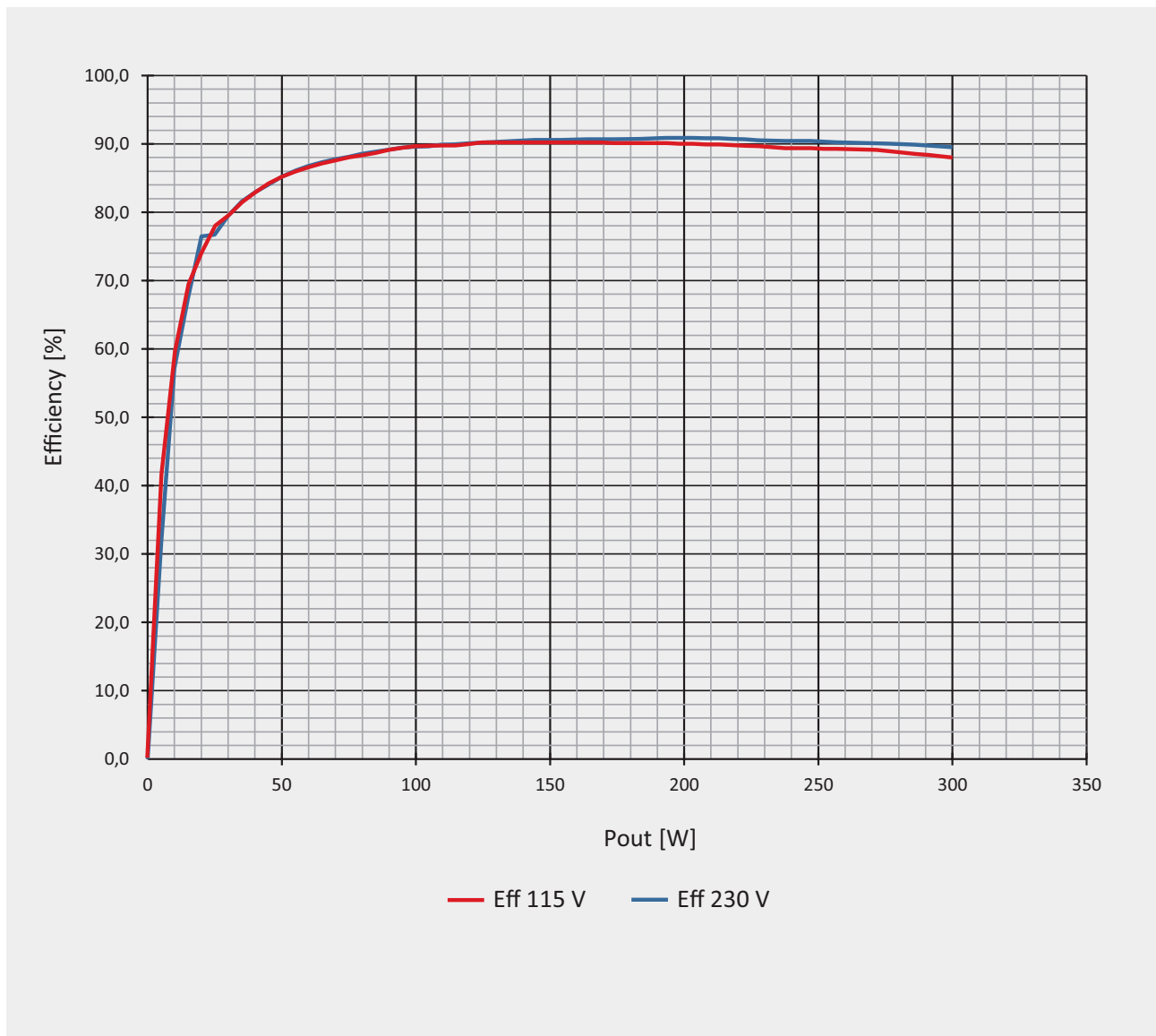
▷▷▷ For detailed information please visit our website www.bicker.de and refer to the article number.

X1-132 | Power cord

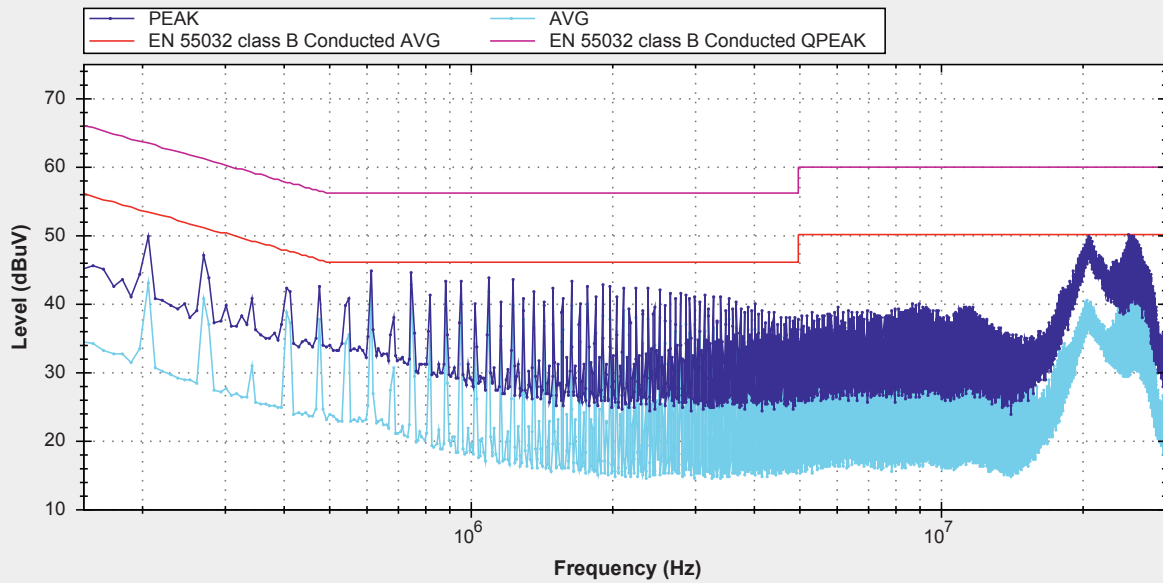
With IEC-60320-C13 connector,
length 1800 mm



Efficiency curve



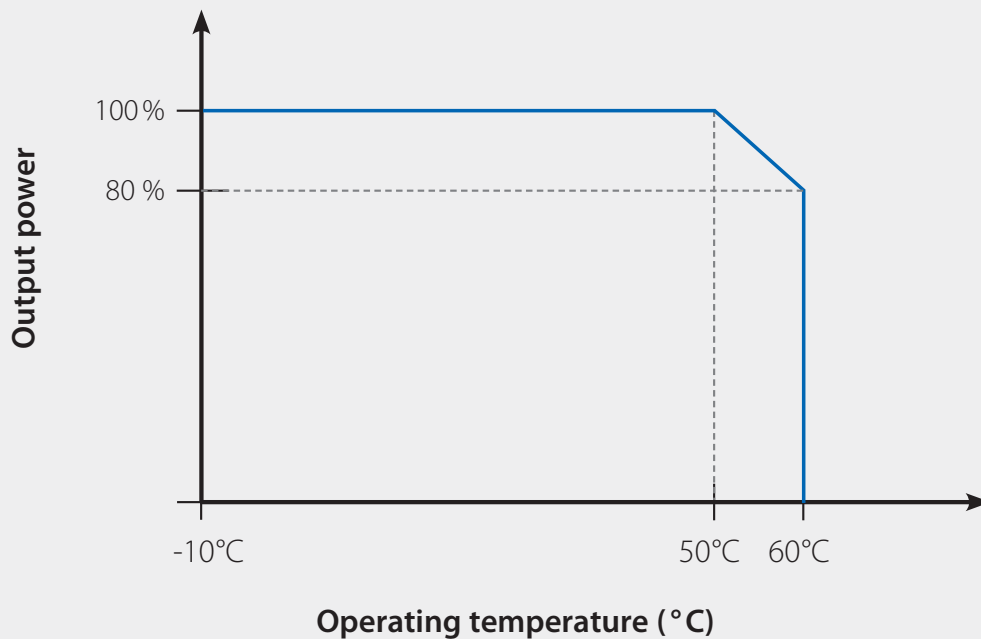
EMC curve



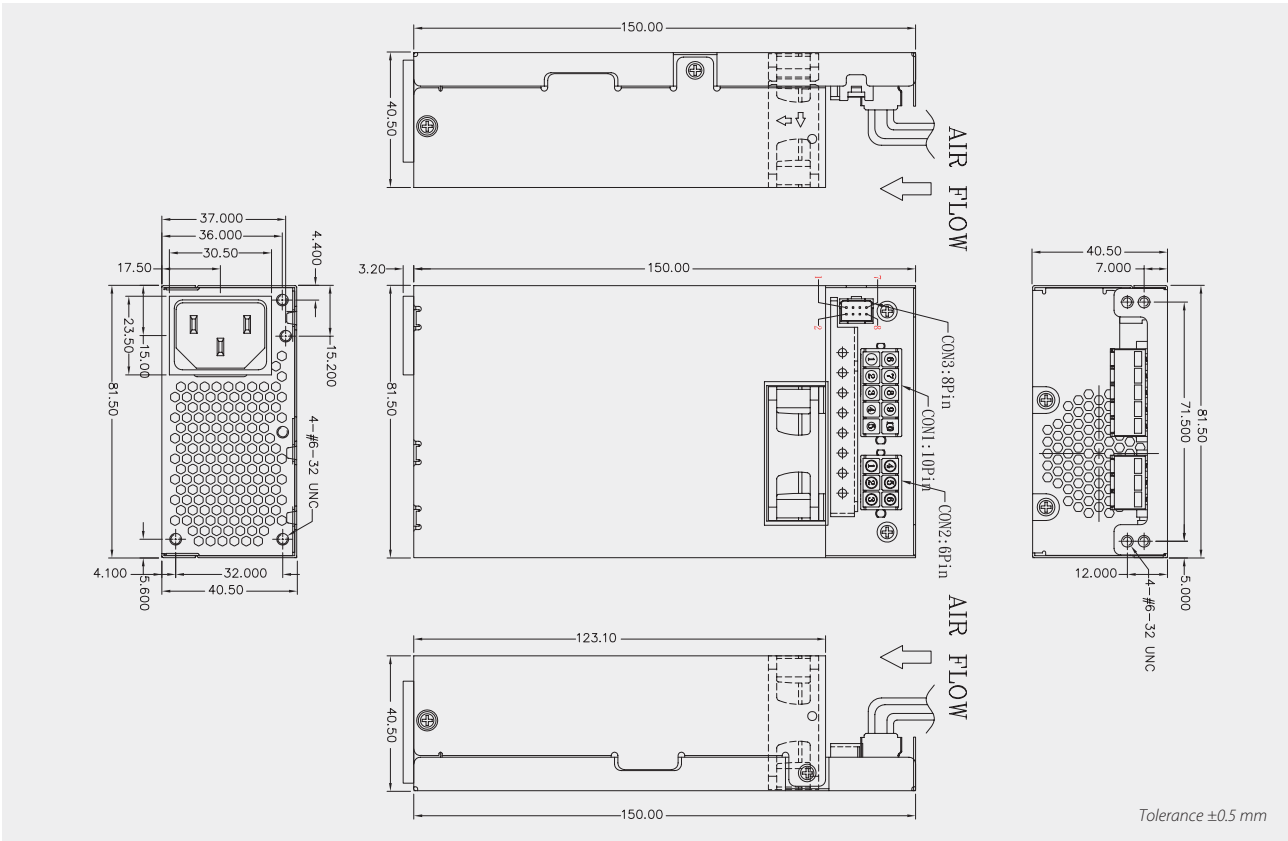
Measurement conditions

Vin = 230 VAC / 50 Hz
 Output = 300 W (full load)
 Tamb: 22 °C

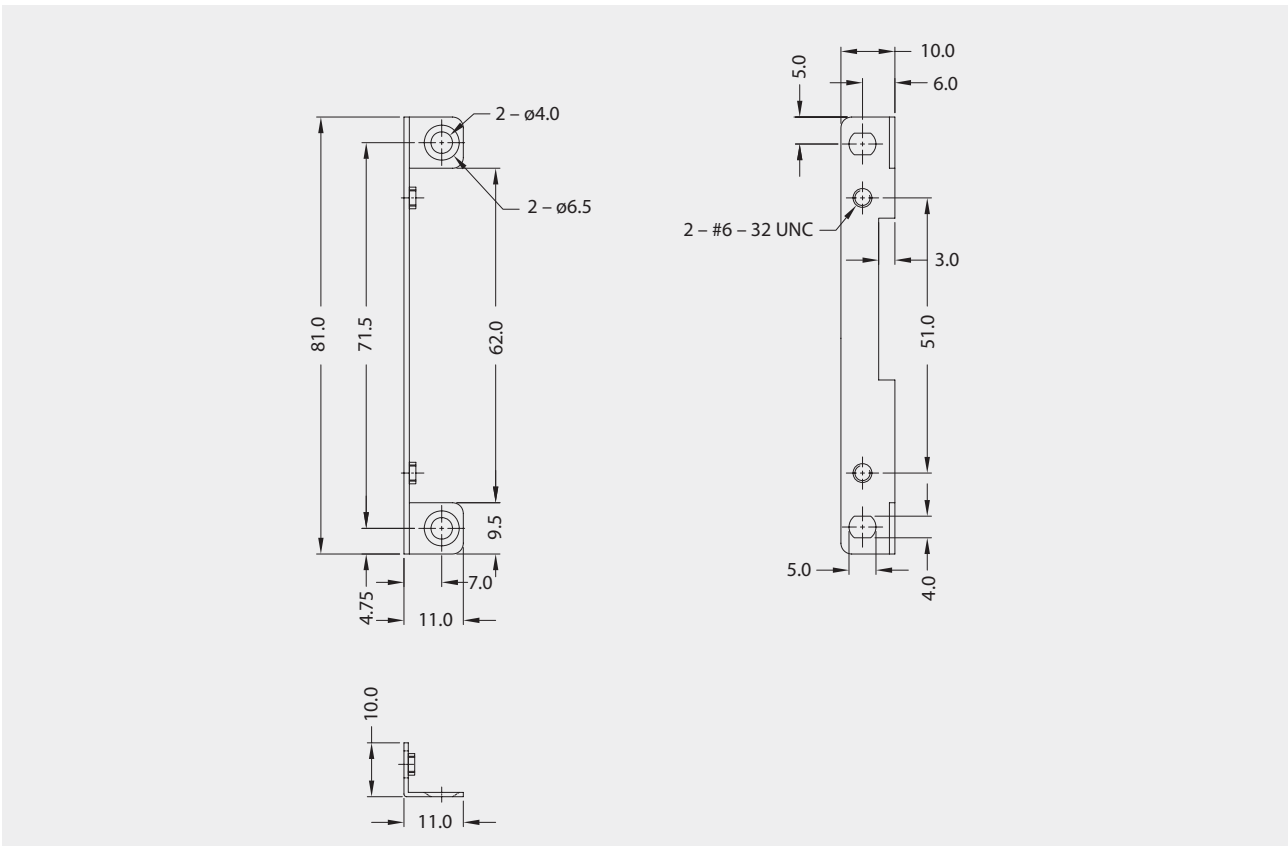
Derating



Drawing BEH-531H



Mounting bracket included in delivery



Cable harness BEH-531H

