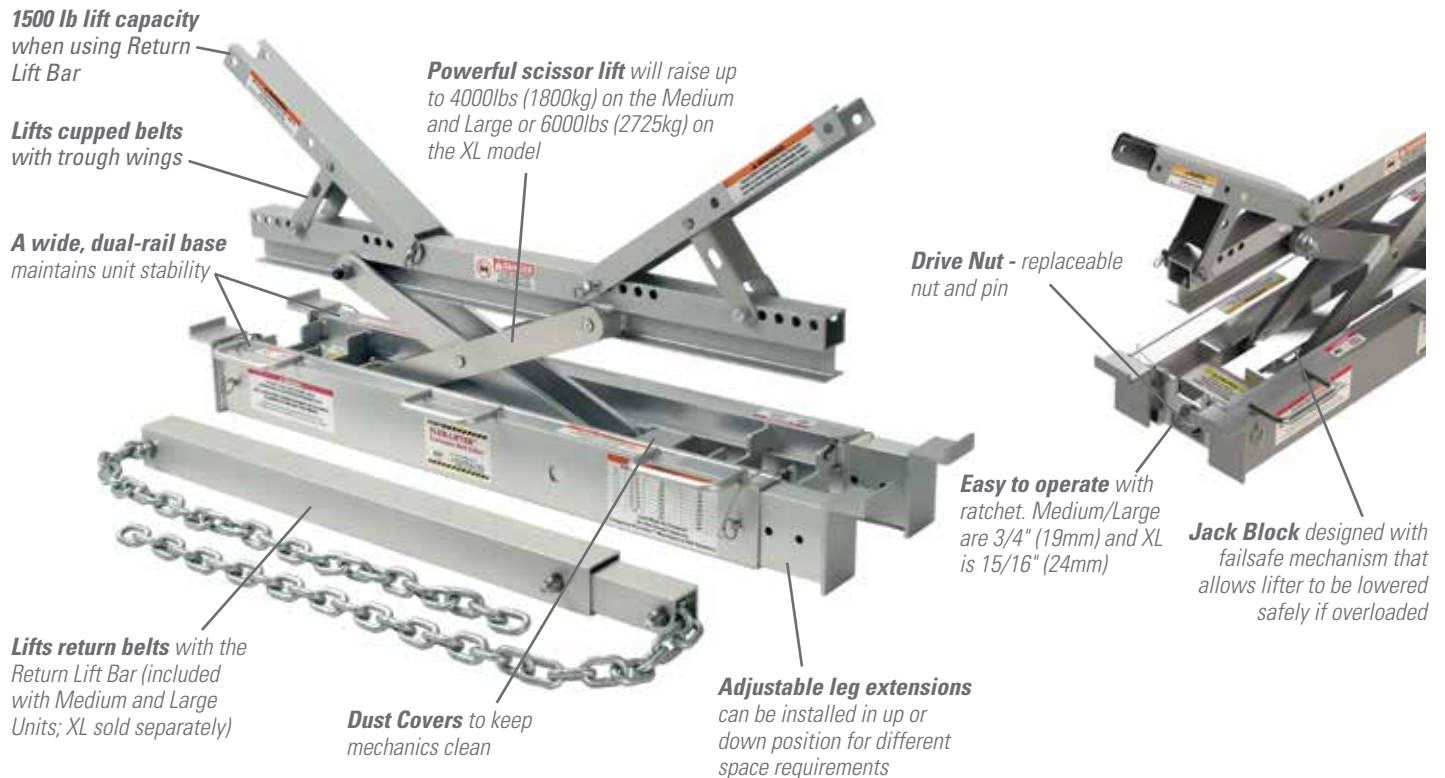


FLEX-LIFTER™

Conveyor Belt Lifter

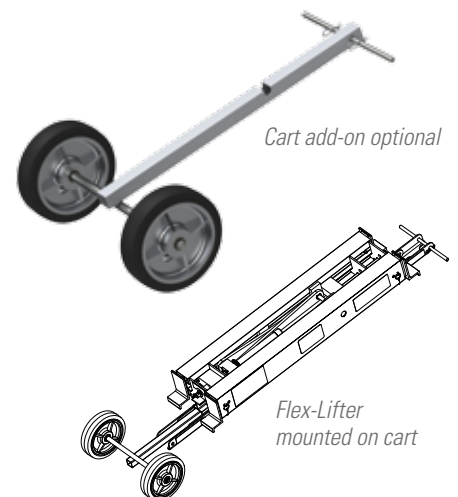
A Tough, Versatile Beltline Tool

Lifting a tensioned conveyor belt out of the way to do maintenance work is a difficult job. It can be time-consuming and dangerous. The Flex-Lifter™ makes the job safer and easier. It takes on the toughest jobs, like lifting a belt even when it is tensioned up to the stated ratings. This tool is versatile. Adjustable wings make it easy to lift troughed or flat topside belts.



Features and Benefits

- **Easy to use.** The Flex-Lifter™ is easily operated with a manual ratchet. And, if used with caution so as not to overdrive, the Flex-Lifter may be used with a drill motor or impact wrench.
- **Works on a range of conveyors.** The Medium model is for belt widths 36"-60" (900-1500mm), the Large model is for belt widths 48"-72" (1200-1800mm), and the XL model is for belt widths 72"-96" (1800-2400mm). Lifts flat or cupped belts with ease.
- **Safe.** Features a wide, dual-rail base and high lift capacities. Also designed to work with standard CEMA and common underground conveyor structure and idler types.
- **Transportable.** The tool can be carried to the job site and easily placed into position on the conveyor structure. Also available with cart feature for rolling the unit.
- **Won't damage the belt.** Lifts the belt from underneath. Does not clamp onto the belt's edges or cover.



FLEX-LIFTER™ Conveyor Belt Lifter

Specifications and Guidelines

Specifications						
Sizes	Belt Width Range	Conveyor Span		Weight	Closed Height	Vertical Lift
		Min	Max			
Medium	36"-60" (900-1500mm)	41.25" (1047.8 mm)	76.25" (1936.8 mm)	66 lb. (29.9 kg)	6.75" (169mm)	14" (350mm)
Large	48"-72" (1200-1800mm)	51.25" (1301.8 mm)	86.25" (2190.8 mm)	78 lb. (35.4 kg)	6.75" (169mm)	16" (400mm)
XL	72"-96" (1800-2400mm)	71.50" (1816.1 mm)	106.47" (2704.3 mm)	128 lb. (58.1 kg)	7.5" (188mm)	16" (400mm)
Return Lift Bar (Medium)	36"-60" (900-1500mm)	-	-	25 lb. (11.3 kg)	n/a	n/a
Return Lift Bar (Large)	48"-72" (1200-1800mm)	-	-	50 lb. (22.6 kg)	n/a	n/a
V-Return Lift Bar (XL)	72"-96" (1800-2400mm)	-	-	63 lb. (28.6 kg)	n/a	n/a

Safe Lifting Capacity (Medium and Large models)			
Height		Max. Weight	
in.	mm	lb.	kg.
0 - 1	0 - 25	500	225
1 - 2	25 - 50	1000	450
2 - 3	50 - 75	1500	675
3 - 4	75 - 100	2000	900
4 - 5	100 - 125	2500	1150
5 - 6	125 - 150	3000	1350
6 - 7	150 - 175	3500	1600
>7	>175	4000	1800

Safe Lifting Capacity (XL model)			
Height		Max. Weight	
in.	mm	lb.	kg.
0 - 1	0 - 25	1100	500
1 - 2	25 - 50	1800	815
2 - 3	50 - 75	2500	1140
3 - 4	75 - 100	3200	1450
4 - 5	100 - 125	3700	1680
5 - 6	125 - 150	4600	2090
6 - 7	150 - 175	5300	2400
>7	>175	6000	2725

Ordering Information

Flex-Lifter™ Conveyor Belt Lifter			
Description	Ordering Number	Item Code	Wt. Lbs.
Medium Flex-Lifter™ 36"-60" (900-1500mm)	FL-M	76469	66.0
Large Flex-Lifter 48"-72" (1200-1800mm)	FL-L	76470	78.0
XL Flex-Lifter 72"-96" (1800-2400mm)	FL-XL	76983	128.0
Return Lift Bar - Medium	FLRLB-M	76482	25.0
Return Lift Bar - Large	FLRLB-L	76481	50.0
Return Lift Bar - XL	FLVRL-XL	76984	63.0
Flex-Lifter Cart	FLCK	77729	20.0

Aluminum Content Flex-Lifter		
Aluminum Alloy Type	Percent	
	Mg Magnesium	Ti Titanium
4043	0.05%	0.2%
5356	5.5%	0.2%
6005	0.6%	0.1%
6061	1.0%	-
6063	0.7%	-
7075	2.5%	-



Medium/Large Flex-Lifter



XL Flex-Lifter

Authorized Distributor:



2525 Wisconsin Avenue • Downers Grove, IL 60515-4200 • USA
Tel: (630) 971-0150 • Fax: (630) 971-1180 • E-mail: info@flexco.com

Visit www.flexco.com for other Flexco locations and products.

©2015 Flexible Steel Lacing Company, 11/15. For reorder: X2541

