

Short description



- Easy installation
- Can be used in hazardous environments
- Stainless Steel
- Can be used with Load Cell models: BM14G4

Available models

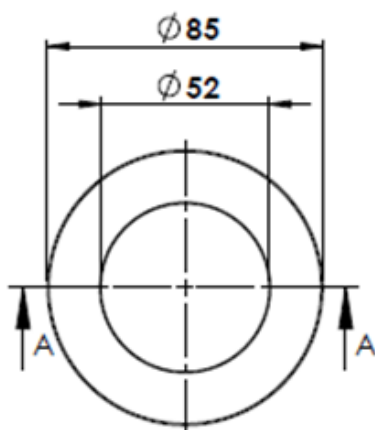
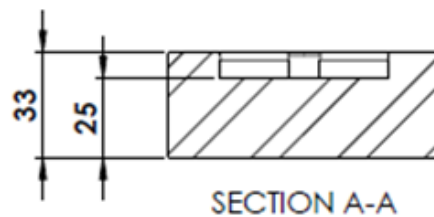
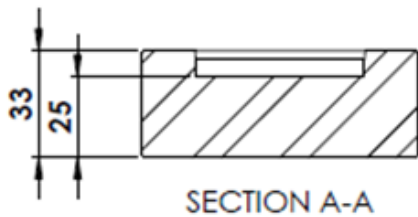
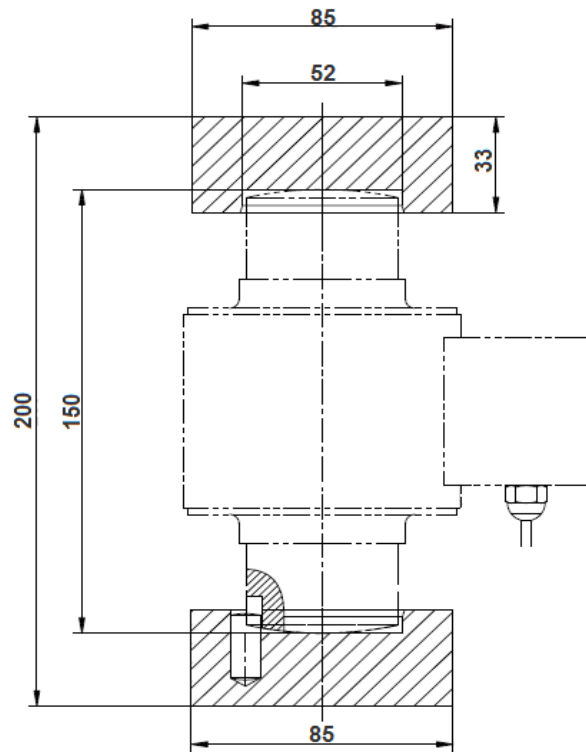
Model	Capacity	Full article description	Part number
BY-14-108	10 – 50t	BY-14-108-10/50t	2140611
BY-14-125	10 – 50t	BY-14-125-10/50t	2140618
BY-14-126	10 – 50t	BY-14-126-10/50t	2140622

Detailed specifications BY-8-108/125/126

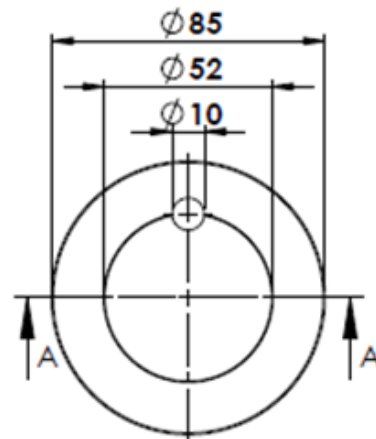
Model	Description
BY-14-108	Rocker support without holes in the bottom or top plate
BY-14-125	Rocker support without holes in the bottom plate but with holes in the top plate
BY-14-126	Rocker support with holes in the bottom or top plate

Specifications and dimensions are subject to change without notice and do not constitute any liability whatsoever.

Dimensions in mm



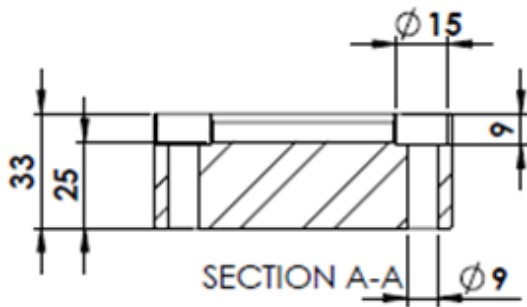
Top plate without holes



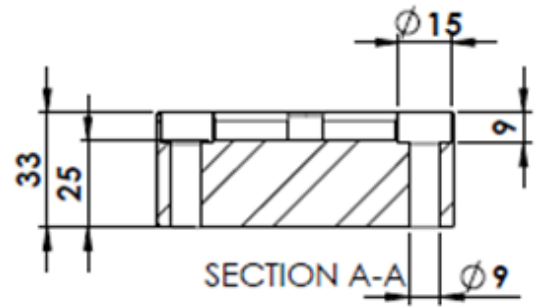
Bottom Plate without holes

Specifications and dimensions are subject to change without notice and do not constitute any liability whatsoever.

Type BY-14-108/125/126



Top plate with holes



Bottom Plate with holes

Specifications and dimensions are subject to change without notice and do not constitute any liability whatsoever.