

MVSY-156-5B*

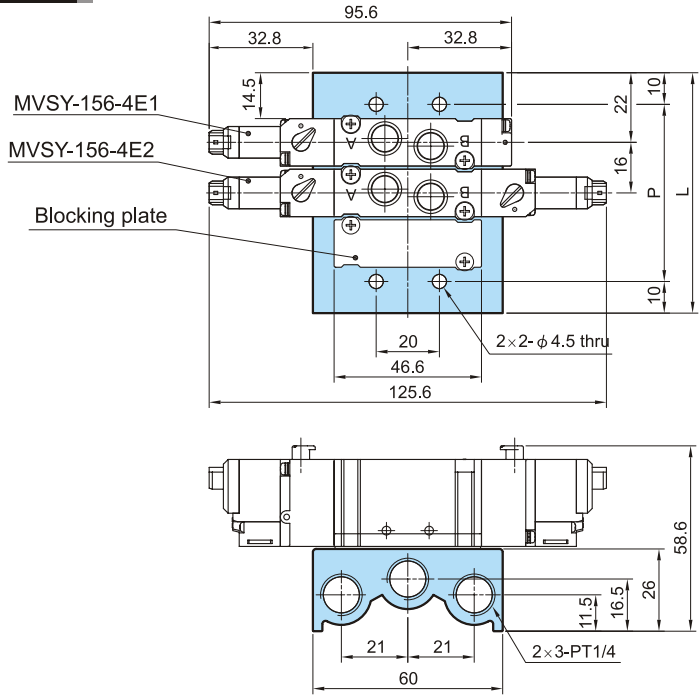
SOLENOID VALVE



Manifold of solenoid valve:

5B*

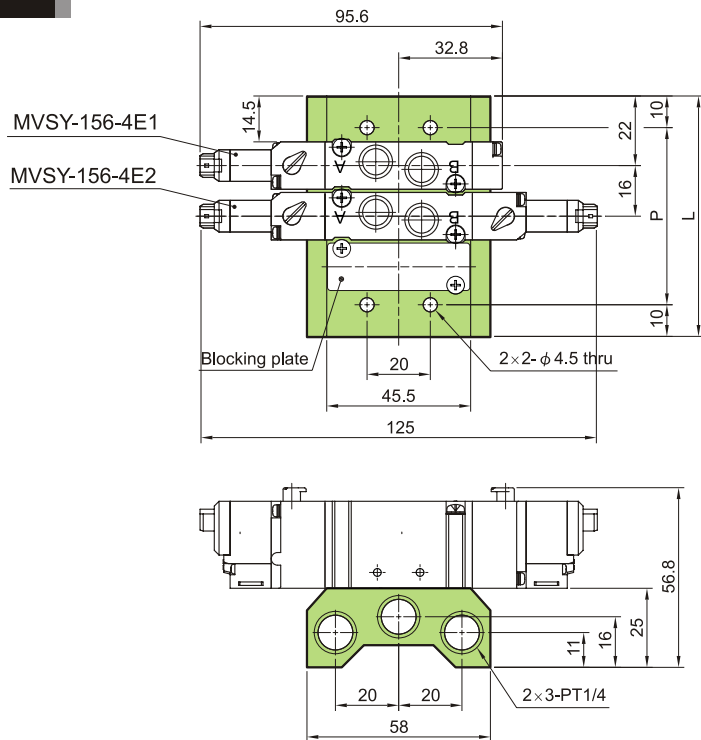
New



No. of stations (N)	P	L
2	40	60
3	56	76
4	72	92
5	88	108
6	104	124
7	120	140
8	136	156
9	152	172
10	168	188

5B*

Old



No. of stations (N)	P	L
2	40	60
3	56	76
4	72	92
5	88	108
6	104	124
7	120	144
8	136	156
9	152	172
10	168	188

MVSY-156-5M*

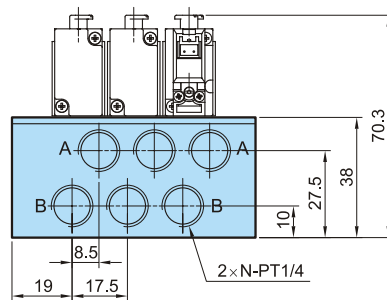
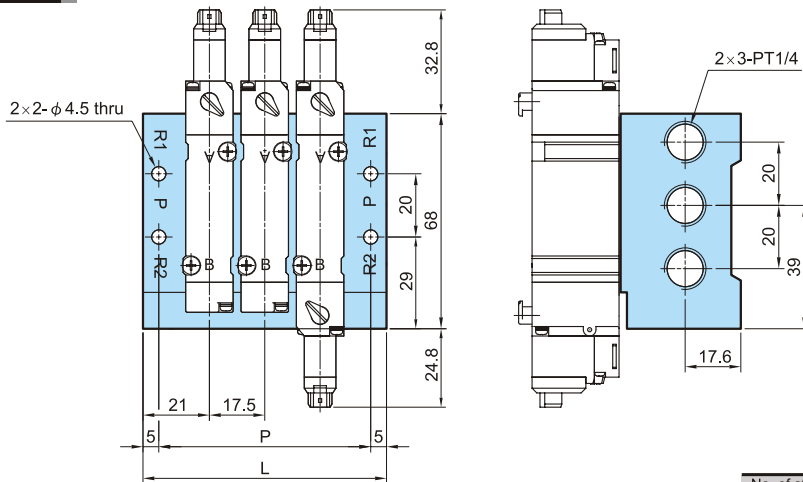
SOLENOID VALVE



Manifold of solenoid valve:

5M*

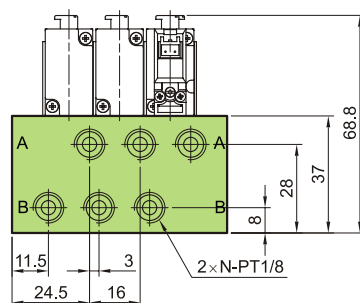
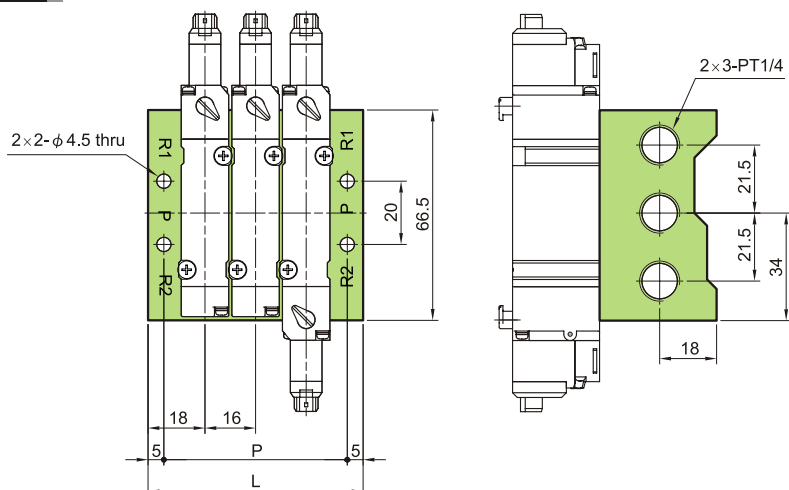
New



No. of stations (N)	P	L
2	49.5	59.5
3	67	77
4	84.5	94.5
5	102	112
6	119.5	129.5
7	137	147
8	154.5	164.5
9	172	182
10	189.5	199.5

5M*

Old



No. of stations (N)	P	L
2	42	52
3	58	68
4	74	84
5	90	100
6	106	116
7	122	132
8	138	148
9	154	164
10	170	180