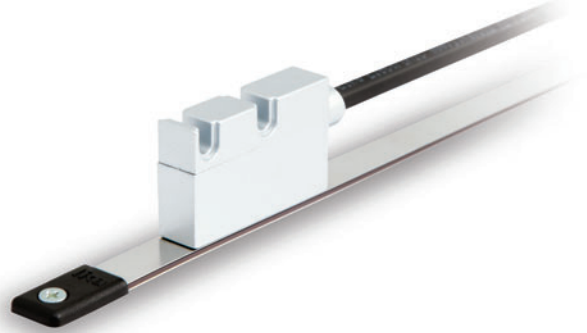




- Robust linear encoder for position measurement
- Gap clearance up to 2.0 mm
- IP67 protection
- Resolution up to 0.1 mm



SML • SMH

ENVIRONMENTAL SPECIFICATIONS

Shock:	250 g, 6 ms acc. to CEI EN 60068-2-27
Vibrations:	10 g, 5-2000 Hz acc. to CEI EN 60068-2-6
Protection:	IP67
Operating temperature range:	-25°C ÷ +85°C (-13°F +185°F)
Storage temperature range:	-40°C ÷ +100°C (-40°F +212°F)

MECHANICAL SPECIFICATIONS

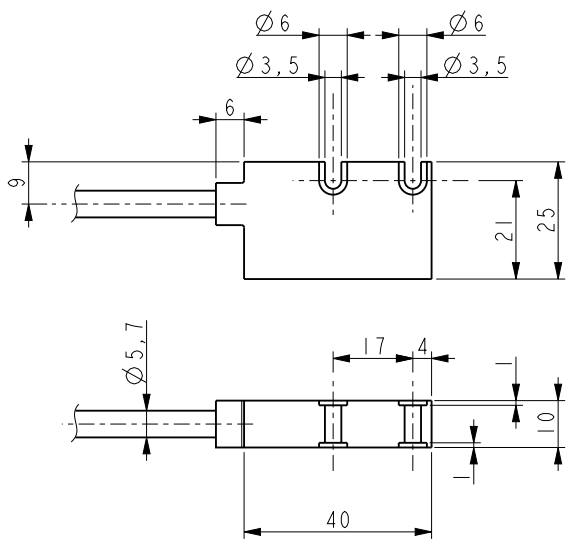
Dimensions:	see drawing
Housing material:	die cast aluminium, UNI EN AC-46100
Electrical connections:	Lika Hi-flex cable M8 2,0 m or M12 8 pin inline plug
Gap between sensor/tape (without cover strip):	0,1 ÷ 2,0 mm
Travel speed (mechanical):	max 16 m/s
Measurement length:	Tape length -5 mm each side

ELECTRICAL SPECIFICATIONS

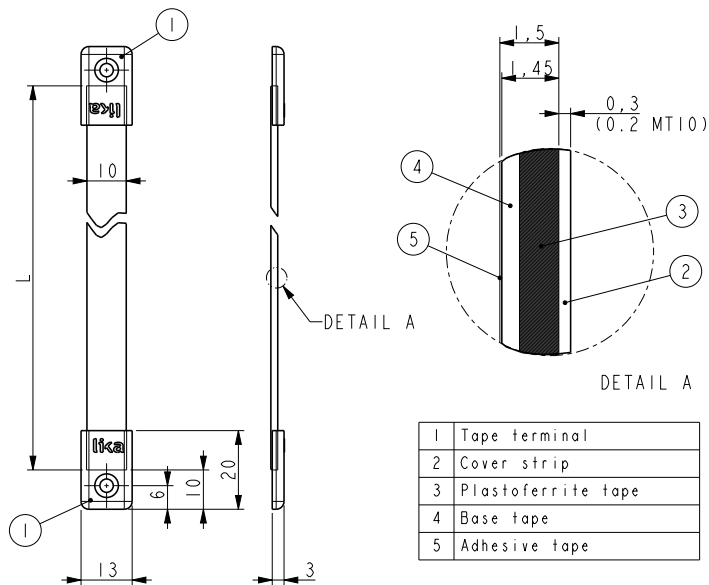
Resolution:	0,1 / 0,25 / 0,5 / 1 mm
Sensor accuracy:	±25 µm max.
Repeat accuracy:	±1 increment
Output circuits:	Line Driver, Push-Pull
Counting frequency:	500 kHz max.
Output signals:	AB0 /AB0
Power supply:	+5Vdc ±5%, +10Vdc ÷ +30Vdc
Power consumption:	70 mA max.
Protection:	against inversion of polarity (except 5Vdc version) and short-circuit
EMC:	acc. to EN 61000-6-2 level 3

ACCESSORIES

MT32:	Magnetic tape for SML
MT40:	Magnetic tape for SMH
KIT PS1-1,0:	Protection profile (10 pcs)
KIT LKM-1440:	Set of tape terminals (10 pcs)
E-M12F8:	M12 8 pin mating connector
EC-M12F8-LK-M8-5:	cordset 5 meters with M12 conn.
EC-M12F8-LK-M8-10:	cordset 10 meters with M12 conn.



SML • SMH



MT32 • MT40

1	Tape terminal
2	Cover strip
3	Plastoferrite tape
4	Base tape
5	Adhesive tape

Order code - Sensor

SML SMH	-	XX a	-	X b	-	XXXX c	-	XXX d	-	XX e	/Sxxx f
------------	---	---------	---	--------	---	-----------	---	----------	---	---------	------------

a OUTPUT CIRCUITS

Y = Push-Pull (AB)
 YC = Push-Pull (AB, /AB)
 L = Line Driver (AB, /AB)

b POWER SUPPLY

1 = +5Vdc ±5% (L output circuit)
 2 = +10Vdc ÷ +30Vdc (Y and YC output circuit)

c RESOLUTION

1000 = 1 mm (SMH)
 500 = 0,5 mm (SMH)
 250 = 0,25 mm (SMH)
 100 = 0,1 mm (SML, SMH)

d INDEX

N = without
 I = every 3,2 mm (SML)
 every 4,0 mm (SMH)

e CONNECTIONS

L2 = cable output 2 m
 Lx = cable output x m
 M0,5 = 0,5 m cable + M12 inline plug
 M2 = 2 m cable + M12 inline plug

f CUSTOM VERSION

Order code - Magnetic tape

MT32 MT40	-	XX a	-	XXX b	-	X c	/Sxxx d
--------------	---	---------	---	----------	---	--------	------------

a LENGTH

1 = 1,0 m 10 = 10,0 m
 2 = 2,0 m 20 = 20,0 m
 4 = 4,0 m 30 = 30,0 m

b ACCURACY CLASS

100 = ±85 µm/m

c COVER STRIP

0 = not supplied
 1 = supplied

d CUSTOM VERSION