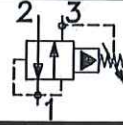


PRRS-10

BUCHER
hydraulics

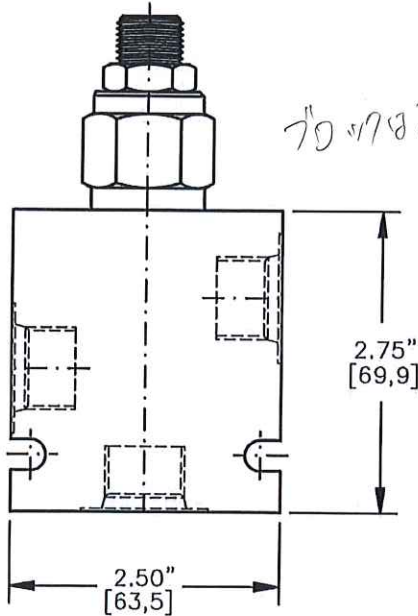
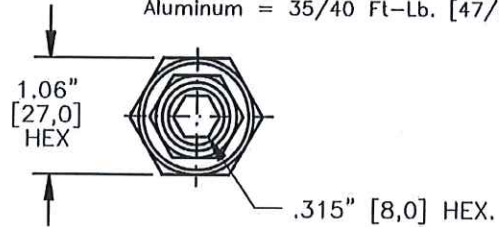
PRESSURE REDUCING/RELIEVING VALVE PILOT OPERATED, SLIDING SPOOL



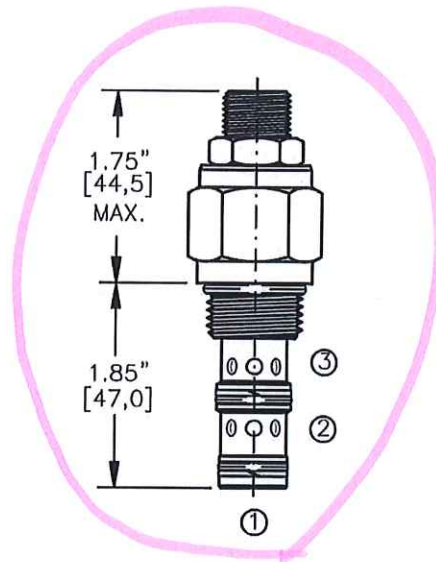
Pat.#5,546,980

TORQUE:

Steel = 55/60 Ft-Lb. [74/81 Nm]
Aluminum = 35/40 Ft-Lb. [47/54 Nm]



70 178 下等



FOR ALUMINUM OR STEEL VALVE HOUSING CONFIGURATIONS SEE PAGE 0-032.1

PRRS-10-X-X-X-XX

BASIC _____
SIZE _____
10 = 7/8"-14 UNF

SEALS _____
N = BUNA "N"
V = VITON

ADJUSTMENT _____
S = ADJUSTING SCREW
C = CAPPED
T = TAMPERPROOF
K = HANDKNOB
M = METAL HANDKNOB

PRESSURE RANGE
06 = 50 TO 600 PSI
15 = 50 TO 1500 PSI
30 = 50 TO 3000 PSI
50 = 50 TO 5000 PSI

PORTS
0 = CARTRIDGE ONLY
02BX = G 1/4" BSPP
03BX = G 3/8" BSPP
06TX = SAE - #6
08TX = SAE - #8
"A" - ALUM. HOUSING
"S" - STEEL HOUSING

FOR ADJUSTMENT CONTROL
OPTIONS SEE PAGE 0-050.0

