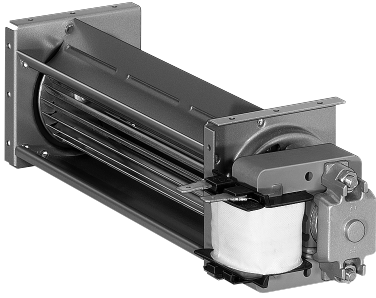


QL4/2500-2118

AC tangential blower

forward-curved



ebm-papst Landshut GmbH

Hofmark-Aich-Straße 25

D-84030 Landshut

Phone +49 (0) 871 707-0

Fax +49 (0) 871 707-465

info3@de.ebmpapst.com

www.ebmpapst.com

Nominal data

Type	QL4/2500-2118	
Phase		1~
Nominal voltage	VAC	230
Frequency	Hz	50
Speed	min ⁻¹	2200
Power consumption	W	15
Current draw	A	0.14
Min. ambient temperature	°C	0
Max. ambient temperature	°C	60
Air flow	m ³ /h	100
Pressure increase	Pa	15

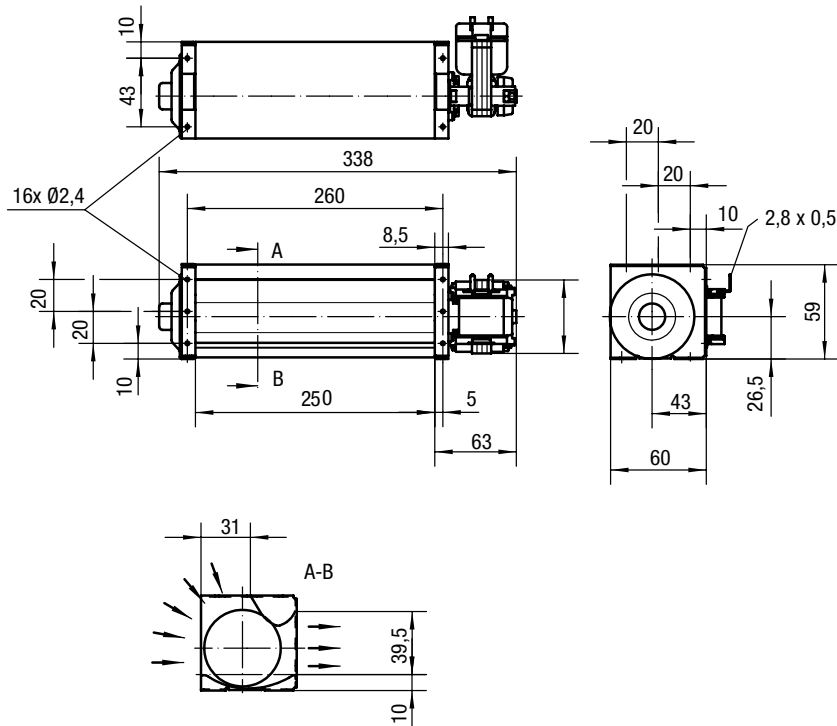
ml = Max. load · me = Max. efficiency · fa = Free air · cs = Customer specification · ce = Customer equipment
Subject to change



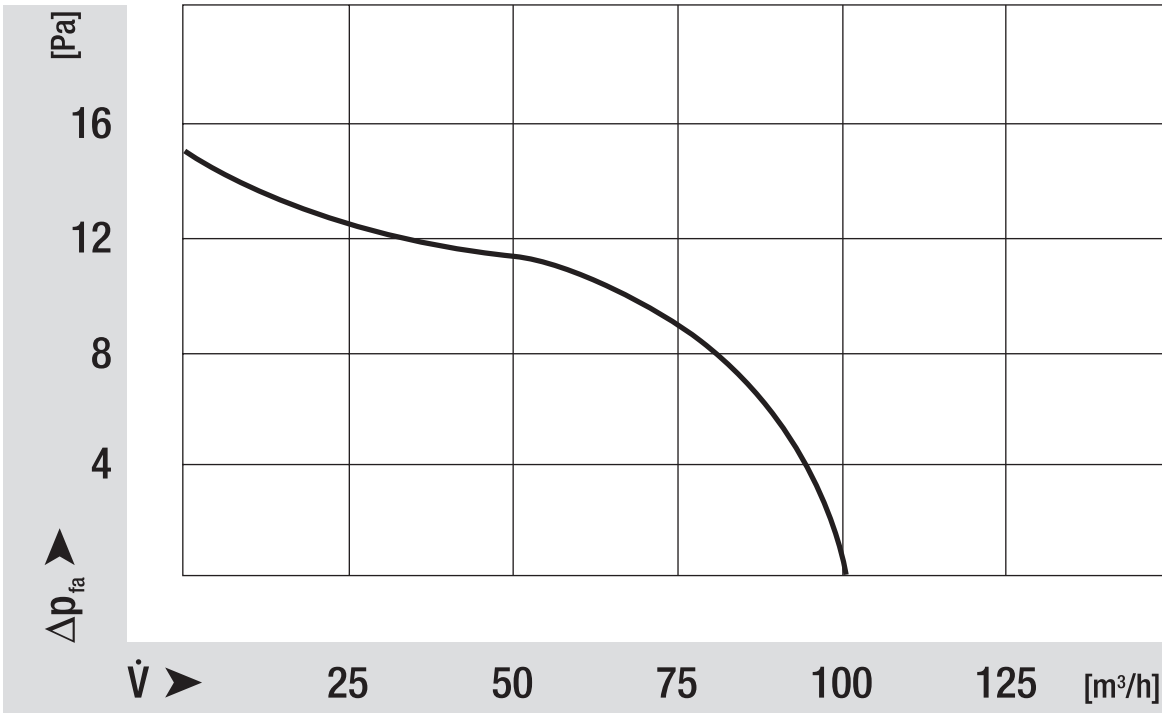
Technical description

Weight	0.65 kg
Dimensions	40 mm
Insulation class	"B", on request also "F" or "H"
Installation position	Horizontal or vertical with motor on bottom
Cable	Flat plug 2.8 x 0.5

Product drawing



Curves: Air performance



Curves: Speed

