

# Terminal adapter - HC-D 40-A-UT-PEL-M - 1584240

Please be informed that the data shown in this PDF Document is generated from our Online Catalog. Please find the complete data in the user's documentation. Our General Terms of Use for Downloads are valid (<http://phoenixcontact.com/download>)



HEAVYCON terminal adapter male insert, D40 series, 40-pos., right PE connection for the left side of the control cabinet, screw connection



## Key Commercial Data

|                                      |               |
|--------------------------------------|---------------|
| Packing unit                         | 1 pc          |
| GTIN                                 |               |
| GTIN                                 | 4046356142311 |
| Weight per Piece (excluding packing) | 334.900 g     |
| Custom tariff number                 | 85366990      |
| Country of origin                    | China         |

## Technical data

### Dimensions

|                                 |          |
|---------------------------------|----------|
| Drill hole distance, horizontal | 77.5 mm  |
| Height                          | 129.9 mm |

### Ambient conditions

|                                 |                   |
|---------------------------------|-------------------|
| Ambient temperature (operation) | -40 °C ... 125 °C |
|---------------------------------|-------------------|

### Electrical characteristics

|                                  |          |
|----------------------------------|----------|
| Number of positions              | 40       |
| Connection in acc. with standard | IEC / EN |
| Rated voltage (III/3)            | 250 V    |
| Rated surge voltage              | 4 kV     |
| Rated current                    | 10 A     |

### Mechanical characteristics

|                   |                  |
|-------------------|------------------|
| Type              | B16              |
| Connection method | Screw connection |

# Terminal adapter - HC-D 40-A-UT-PEL-M - 1584240

## Technical data

### Mechanical characteristics

|   |   |
|---|---|
| Tightening torque                       | 0.5 Nm ... 0.8 Nm                           |
| Stripping length of the individual wire | 10 mm                                       |
| Conductor cross section                 | 0.5 mm <sup>2</sup> ... 2.5 mm <sup>2</sup> |
| Connection cross section AWG            | 22 ... 12                                   |

### General

|  |   |
|--|---|
| Note                                   | For HEAVYCON-ADVANCE mounting flange and HEAVYCON panel mounting base of B16 type                                 |
|  | Connectors may be operated only when there is no load/voltage.  |
| Contact material                       | Copper alloy  |
| Contact surface material               | Ag  |
| Contact carrier material               | PA  |
| Standards/regulations                  | PA: Fire protection in rail vehicles - requirement sets R22 and R23 acc. to DIN EN 45545-2 (Risk level HL1 - HL2) |
|  | PA: Fire protection in rail vehicles - requirement set R24 acc. to DIN EN 45545-2 (Risk level HL1 - HL3)          |
| Degree of pollution                    | 3   |
| Overvoltage category                   | III   |
| Flammability rating according to UL 94 | V0  |
| Connection in acc. with standard       | IEC / EN  |
| Assembly instructions                  | To ensure correct use, installation in housing with IP54 protection or better is required                         |
|  | Not for HC-EVO panel mounting bases   |
| Installation instructions              | Connectors may be plugged in only when there is no load/voltage. Not for HC-B 16-AMQ-EMV housings                 |

### Standards and Regulations

|  |              |
|--|--------------|
| Constructional and testing regulations | DIN EN 61984 |
|  | DIN EN 60664 |
|  | IEC 60352    |
| Flammability rating according to UL 94 | V0           |

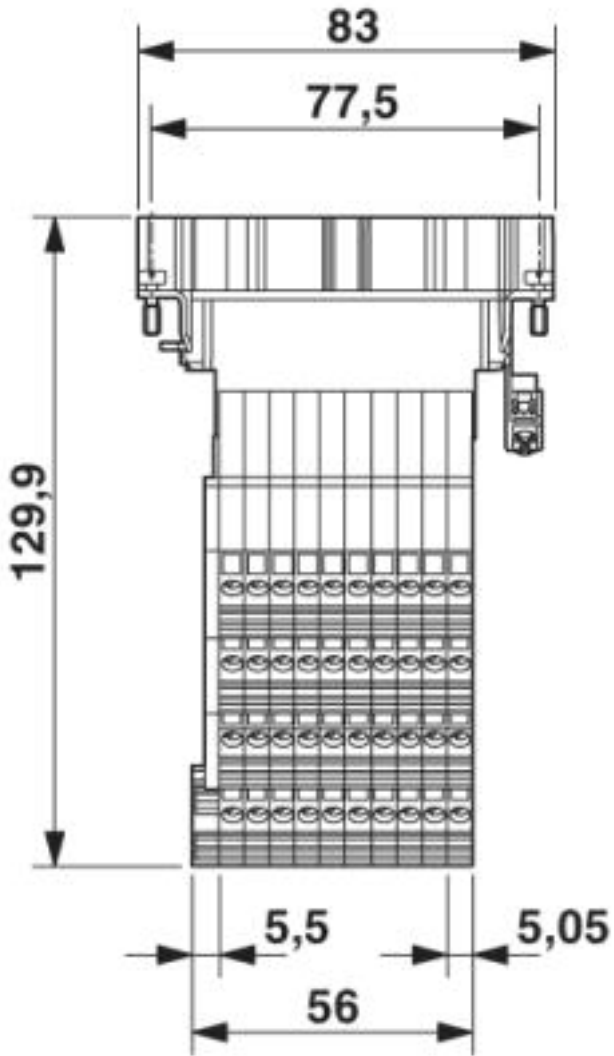
### Environmental Product Compliance

|            |   |
|------------|---|
|            | Lead 7439-92-1  |
| China RoHS | Environmentally Friendly Use Period = 50  |
|            | For details about hazardous substances go to tab "Downloads", Category "Manufacturer's declaration" |

## Drawings

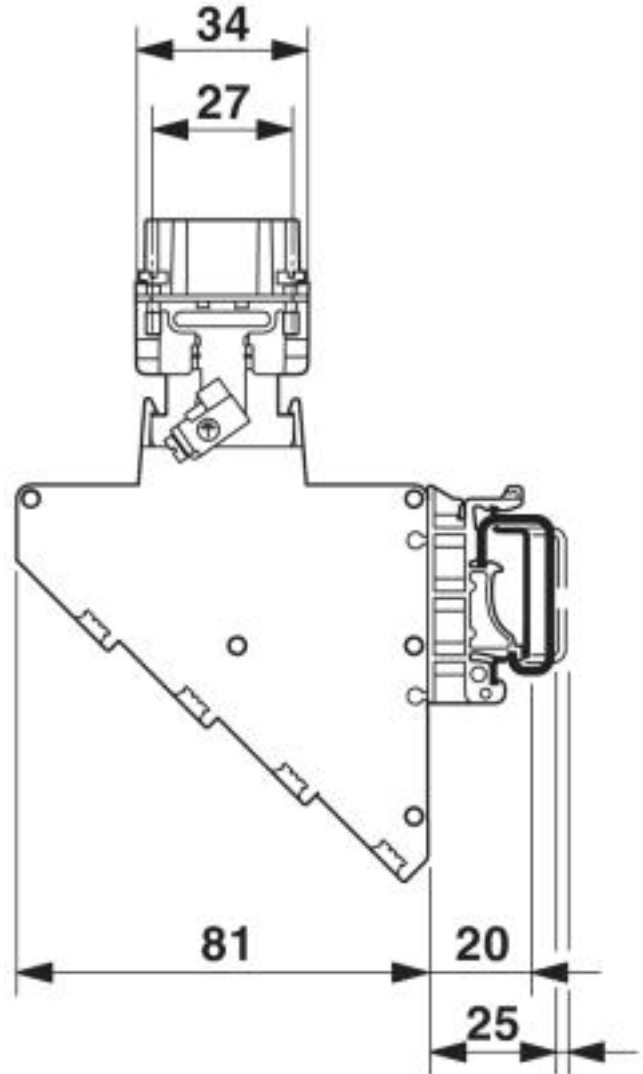
# Terminal adapter - HC-D 40-A-UT-PEL-M - 1584240

Dimensional drawing



Dimensional drawing

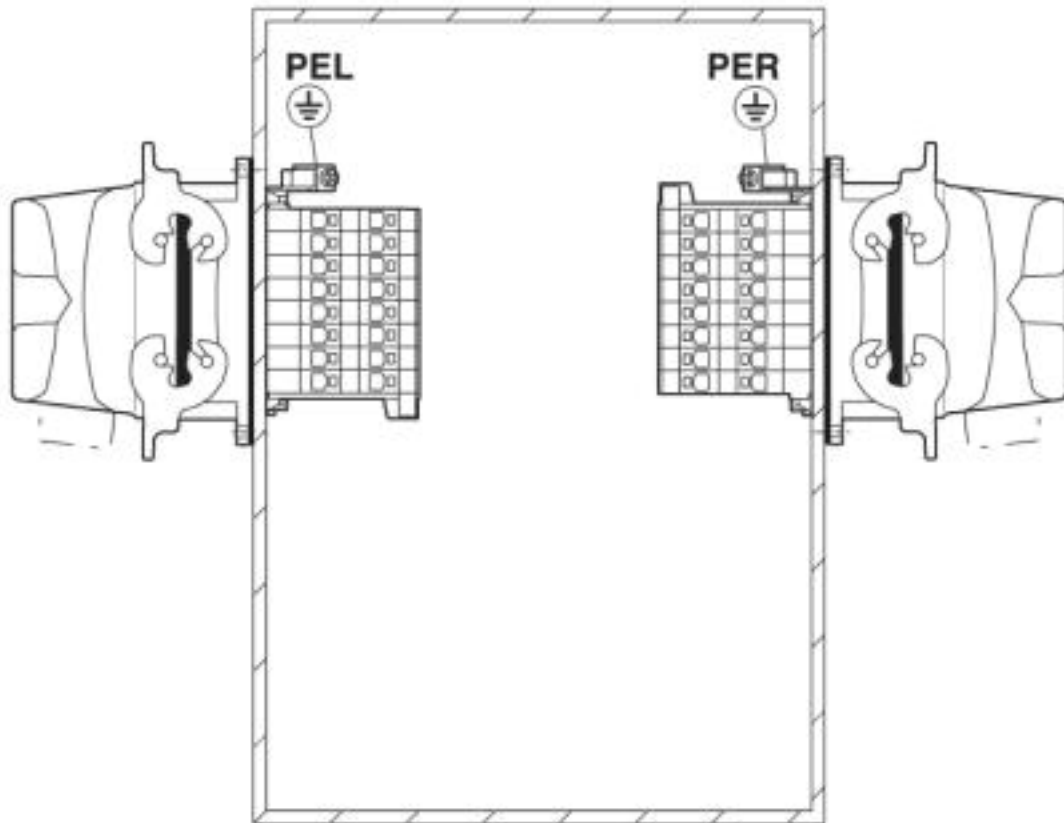
Dimensional drawing



Dimensional drawing, side view

# Terminal adapter - HC-D 40-A-UT-PEL-M - 1584240

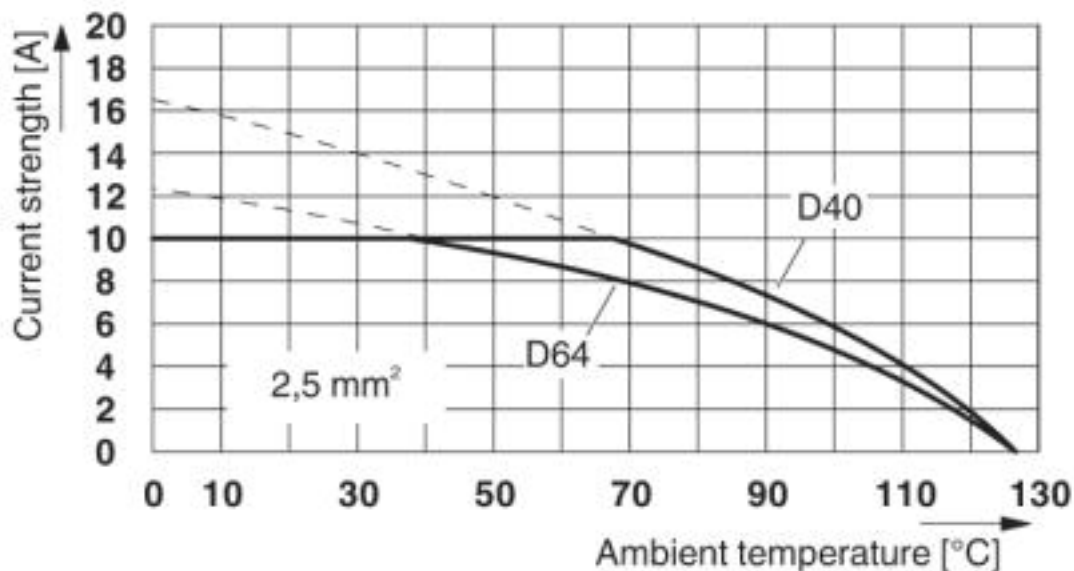
Application drawing



Mounting position PE connection left/right (PEL/PER)

# Terminal adapter - HC-D 40-A-UT-PEL-M - 1584240

Diagram



Derating diagram for 2.5 mm²

## Classifications

### eCl@ss

|            |          |
|------------|----------|
| eCl@ss 4.0 | 27140800 |
| eCl@ss 4.1 | 27140800 |
| eCl@ss 5.0 | 27143400 |
| eCl@ss 5.1 | 27261200 |
| eCl@ss 6.0 | 27261200 |
| eCl@ss 7.0 | 27440205 |
| eCl@ss 8.0 | 27440205 |
| eCl@ss 9.0 | 27440222 |

### ETIM

|          |          |
|----------|----------|
| ETIM 3.0 | EC000438 |
| ETIM 4.0 | EC000438 |
| ETIM 5.0 | EC000438 |
| ETIM 6.0 | EC000438 |
| ETIM 7.0 | EC000438 |

### UNSPSC

|               |          |
|---------------|----------|
| UNSPSC 6.01   | 30211923 |
| UNSPSC 7.0901 | 39121522 |
| UNSPSC 11     | 39121522 |
| UNSPSC 12.01  | 39121522 |
| UNSPSC 13.2   | 39121421 |

# Terminal adapter - HC-D 40-A-UT-PEL-M - 1584240

## Approvals

### Approvals

#### Approvals

CSA / UL Recognized / EAC

#### Ex Approvals

### Approval details

|                            |  |   |       |
|----------------------------|--|---|-------|
| CSA                        |  | <a href="http://www.csagroup.org/services-industries/product-listing/">http://www.csagroup.org/services-industries/product-listing/</a> | 13631 |
| Nominal voltage UN         |  | 600 V   |       |
| Nominal current IN         |  | 7 A   |       |
| mm <sup>2</sup> /AWG/kcmil |  | 14  |       |

|                            |  |   |         |
|----------------------------|--|---|---------|
| UL Recognized              |  | <a href="http://database.ul.com/cgi-bin/XYV/template/LISEXT/1FRAME/index.htm">http://database.ul.com/cgi-bin/XYV/template/LISEXT/1FRAME/index.htm</a> | E118976 |
| Nominal voltage UN         |  | 600 V   |         |
| Nominal current IN         |  | 7 A   |         |
| mm <sup>2</sup> /AWG/kcmil |  | 14  |         |

|     |  |                          |
|-----|--|--------------------------|
| EAC |  | RU C-<br>DE.AI30.B.01102 |
|-----|--|--------------------------|

## Accessories

### Accessories

#### Coding element

Coding element - HC-CST - 1676857



Coding peg for coding up to 16 connectors

## Terminal adapter - HC-D 40-A-UT-PEL-M - 1584240

### Accessories

Coding element - HC-CBU - 1676860



Coding socket for coding up to 16 connectors

---

Coding bolt - HC-CB - 1772722



Coding pin, prevents mismatching of up to six connectors with an identical number of positions

---

### Mounting material

Foot element - HC-KA-FE - 1775240



Foot element, for mounting on DIN rail NS 32, DIN rail NS 35/7.5 or DIN rail NS 35/15, can be inserted between basic and side element

---

Locking screw barrel - HC-VSH - 1660083



Locking screw barrel, for a firm connection of contact inserts and DIN-rail mountable terminal adapters

---

Screw - HC-B-PES - 1604997



PE screw, for contact inserts HC-B / HC-BB / HC-DD / HC-D40 / HC-D64

---

## Terminal adapter - HC-D 40-A-UT-PEL-M - 1584240

### Accessories

PE multiplier - HC-B-3PE - 1644326



PE multiplier, for three PE connections, for HC-B (besides HC-B..E..ZZ) / HC-BB / HC-DD / HC-D40 / HC-D64 contact inserts

---

### Terminal marking

Zack marker strip - ZB 5 :UNBEDRUCKT - 1050004



Zack marker strip, Strip, white, unlabeled, can be labeled with: PLOTMARK, CMS-P1-PLOTTER, mounting type: snap into tall marker groove, for terminal block width: 5.2 mm, lettering field size: 5.1 x 10.5 mm, Number of individual labels: 10