

CURRENT COLLECTOR VKS 10

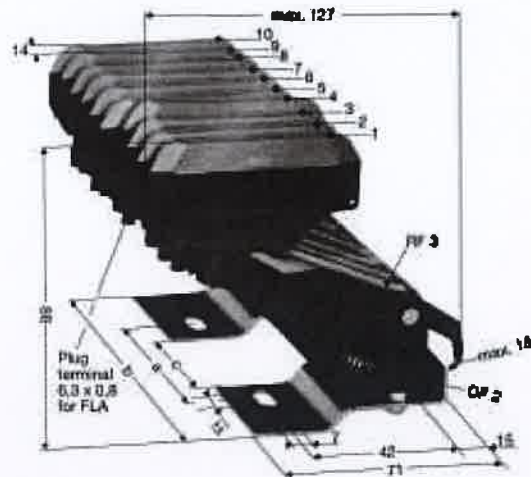


Compact current collector KESR 32/55

Distance between conductors: 14 mm
 max. current: 1 flat plug-in connector 32 A FLA 2,5
 40 A FLA 4.0
 55 A FLA 6.0

Lift and swivel ± 15 mm
 Contact pressure: approx. 3.5 N per carbon brush
 PE (ground) on no. 4 other combinations possible
 The ground collector always moves first when entering or exiting the powerail.

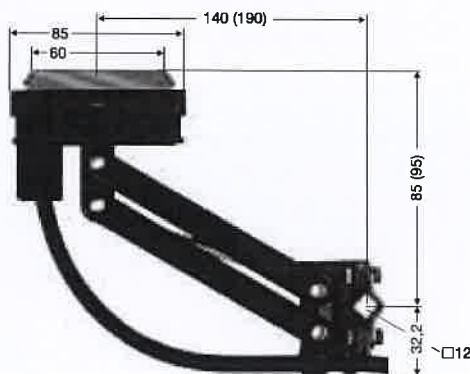
For selection of connecting cables, see page 14



Type	No. of poles	a mm	b mm	c mm	weight kg	Baseplate	Order no.	
KESR 32-55- 6-14 HS	6	56	90	-	0,520	6 pole	168 316	
KESR 32-55- 7-14 HS	7	80	118	53	0,654	8 pole (no. 8= free)	168 317	
KESR 32-55- 8-14 HS	8	80	118	53	0,721	8 pole	168 318	
KESR 32-55- 9-14 HS	9	80	146	53	0,760	10 pole (no. 10= free)	168 319	
KESR 32-55- 10-14 HS	10	80	146	53	0,828	10 pole	168 320	
Single collector:							Phase	PE (ground)
Current collector KESR 32-55						0,067	168 304	168 305

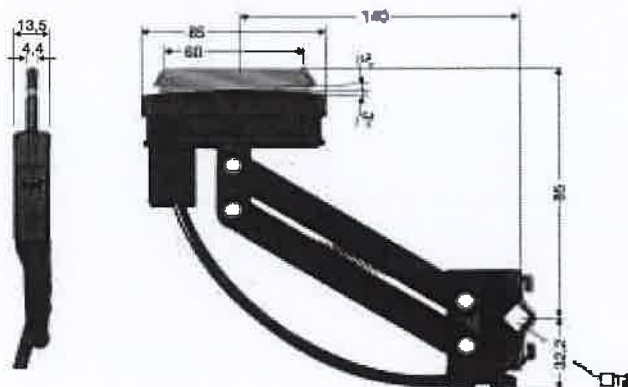
Current collector UST

Type KSTL in parenthesis



Current collector USTU

for transfer funnel EFTV 10 and for tangential funnel DSEV



With 2 m connecting cables

Lift and swivel: see following table ± 15 mm
 Contact pressure: approx. 5 N

With 2 m connecting cables

Lift and swivel: see following table ± 15 mm
 Contact pressure: approx. 5 N

Type ⁽¹⁾	Current capacity A	Connection cable		Lift+ swivel mm	weight kg	Order no.		Type ⁽¹⁾	Current capacity A	Connection cable		Lift+ swivel mm	weight kg	order no.	
		A/ mm ²	d max./ mm			Phase black	(ground) yellow			A/ mm ²	d max./ mm			Phase black	ground yellow
KST 30	30	2,50	5	± 20	0,240	152 085	152 086	KSTU 55/14	55	6,00	11	± 20	0,368	168 361	168 362
KST 55	55	6,00	11	± 20	0,368	154 438	154 439	KSTU 30/14	30	2,50	5	± 20	0,240	168 363	168 364
KSTL 30	30	2,50	5	± 30	0,240	152 089	152 091								
KSTL 55	55	6,00	11	± 30	0,368	154 443	154 444								

⁽¹⁾ Suffix types e.g. KST 30 \rightarrow KST 30 PH Order No. 152 085
 KST 30 \rightarrow KST 30 PE Order No. 152 086