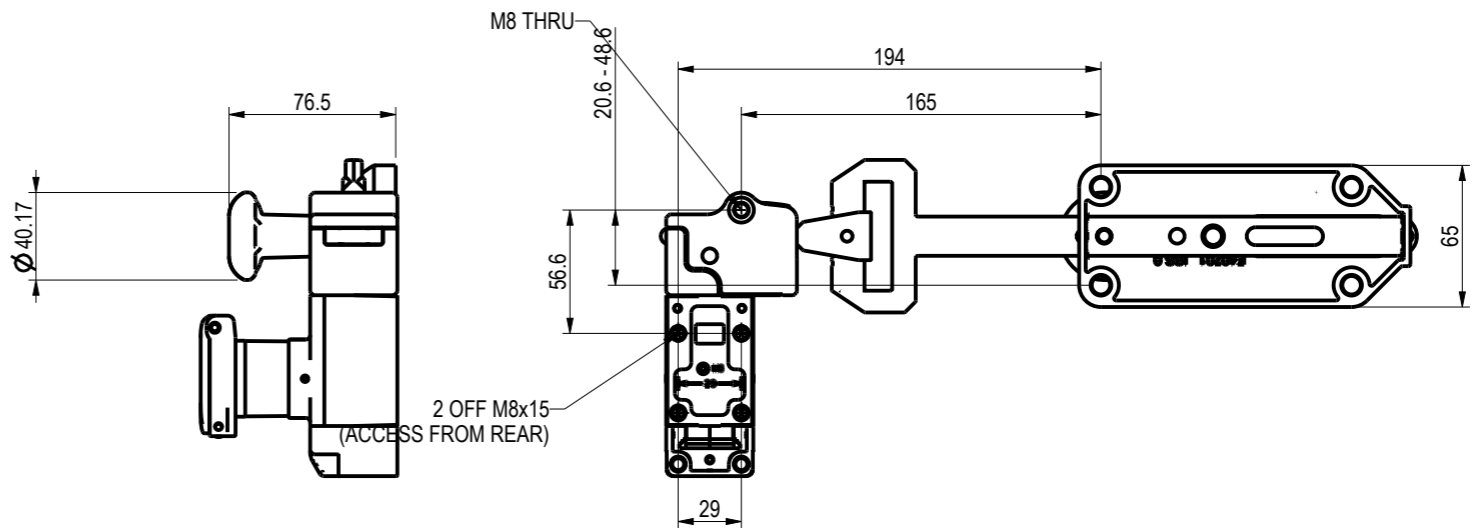
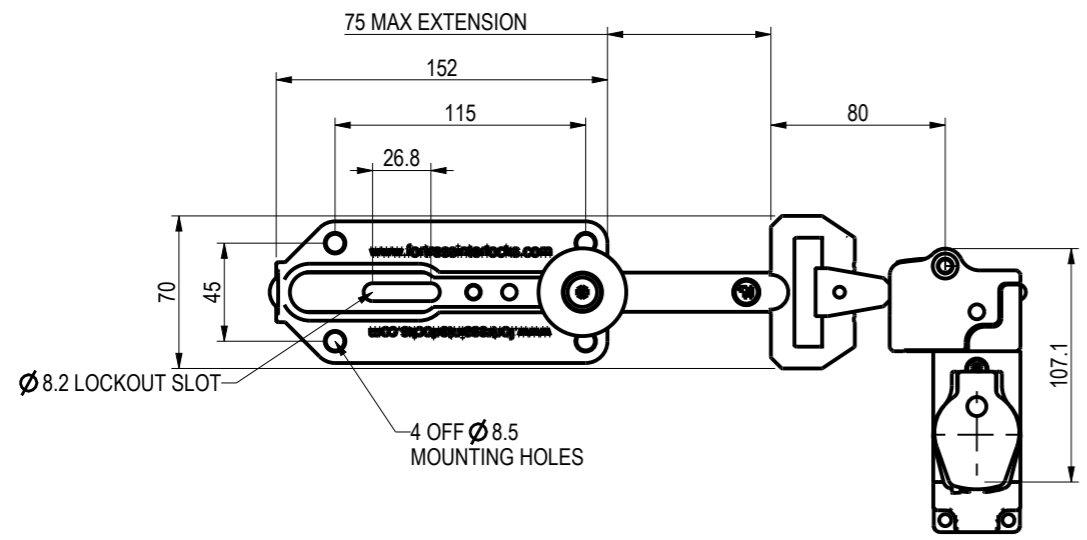

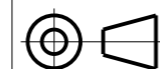


A B C D E F G H I J K L

1
2
3
4
5
6
7
8
9



NOTE:
ALL FIXING POINTS ARE TO ACCUMULATE
AN INCREMENT TOLERANCE OF ±0.2mm

THE COPYRIGHT OF THIS DRAWING BELONGS TO FORTRESS INTERLOCKS Ltd. THE CONTENT OF THIS DRAWING IS CONFIDENTIAL AND MUST NOT BE DISCLOSED TO ANY 3rd PARTY WITHOUT OUR SPECIFIC, WRITTEN APPROVAL.		TITLE: TN2-T6-AKL71-FT0		ISSUE: 0	
 www.fortressinterlocks.com		DO NOT SCALE. IF IN DOUBT ASK! ALL DIMENSIONS ARE IN mm (UOS)	DWG NO: ITM-00042467AA271850	PART NO: ITM-00042467AA271850	RELEASE LEVEL: Design In Progress
		REMOVE ALL SHARP EDGES, BURRS AND FLASH	SHEET 1 OF 1	SCALE: 0.29	DATE: 12-04-19
 ORIGINAL SIZE A3		MATERIAL: NOT APPLICABLE	FINISH: SELF	GENERAL TOLERANCE: ±0.1 / ±0.5°	DRAWN BY: AUTO
					CHECKED BY: N/A
					VOLUME: MM ³