



Vane pumps
General catalog
Single, double & triple
T7 - T67 - T6C series



Publ. 1 - AM0740 - D

09 / 2004 / FB

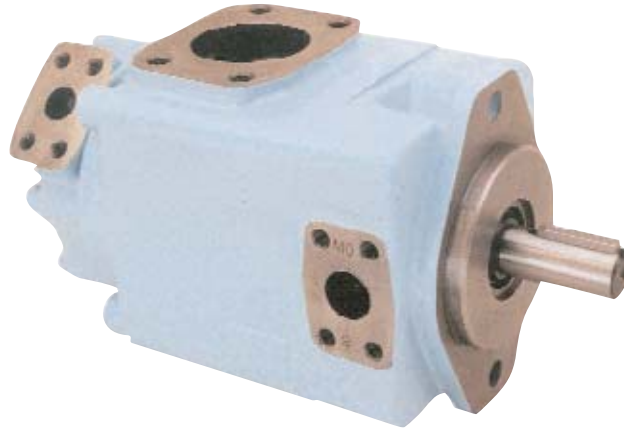
Replaces : 1 - AM0740 - C

L14 - 10740 - 4

DENISON Hydraulics

GENERAL	General characteristics	4
	Minimum and maximum speeds - Pressure ratings - Single pumps	5
	Minimum and maximum speeds - Pressure ratings - Double & triple pumps	6
	Minimum allowable inlet pressure	7
	Main calculation	8
	Intermittent pressure rating	8
	Description	9
	Start-up instructions & recommendations	
	General	10
	Shaft & coupling data	11
	Specific point	11
	Fluids	11 - 12
	Formulas	12
	General characteristics	13
SINGLE	T7B - T7BS	
	Ordering code and technical data	14
	Dimensions and operating characteristics	15
	T6C	
	Ordering code and technical data	16
	Dimensions and operating characteristics	17
	T7D - T7DS	
	Ordering code and technical data	18
	Dimensions and operating characteristics	19
	T7E - T7ES	
	Ordering code and technical data	20
	Dimensions and operating characteristics	21
DOUBLE	T7BB - T7BBS	
	Ordering code and technical data	22
	Dimensions and operating characteristics	23
	T6CC	
	Ordering code and technical data	24
	Dimensions and operating characteristics	25
	T67CB	
	Ordering code and technical data	26
	Dimensions and operating characteristics	27
	T7DB - T7DBS	
	Ordering code and technical data	28
	Dimensions and operating characteristics	29
	T67DC	
	Ordering code and technical data	30
	Dimensions and operating characteristics	31
	T7DD - T7DDS	
	Ordering code and technical data	32
	Dimensions and operating characteristics	33

DOUBLE	T7EB - T7EBS	Ordering code and technical data	34
		Dimensions and operating characteristics	35
	T67EC	Ordering code and technical data	36
		Dimensions and operating characteristics	37
	T7ED - T7EDS	Ordering code and technical data	38
	Dimensions and operating characteristics	39	
	T7EE - T7EES	Ordering code and technical data	40
		Dimensions and operating characteristics	41
TRIPLE	T67DBB	Ordering code and operating characteristics	42
		Technical data	43
		Dimensions	46
	T67DCB	Ordering code and operating characteristics	44
		Technical data	45
		Dimensions	46
	T67DCC	Dimensions	47
		Ordering code and operating characteristics	48
		Technical data	49
	T7DDB - T7DDBS	Ordering code and operating characteristics	50
		Technical data	51
		Dimensions	52
	T67DDCS	Dimensions	53
		Ordering code and operating characteristics	54
		Technical data	55
T7EDB - T7EDBS	Ordering code and operating characteristics	56	
	Technical data	57	
	Dimensions	58	
T67EDC - T67EDCS	Dimensions	59	
	Ordering code and operating characteristics	60	
	Technical data	61	
	Porting diagrams for double and triple pumps	62	
	Porting diagrams for triple pumps	62 - 63	



CHARACTERISTICS

These vane pumps have been specially designed for high/low circuit. The combination of different cartridges in double and triple pumps allows low flow at high pressure (300 bar max.) and high flow at lower pressure. This is a clever way to optimize your circuit design.

This pump feature will also allow a very fast pressure cycle change with a very precise flow repeatability.

GREATER FLOW

- B : .35 to 3.01 in³/rev.
- C : .66 to 6.10 in³/rev.
- D : 2.64 to 9.64 in³/rev.
- E : 8.07 to 16.40 in³/rev.

HIGHER PRESSURE

- B : 4650 PSI max. (4350 PSI for multiple pump).
- C : 4000 PSI max.
- D : 4060 PSI max. (3500 PSI for multiple pump).
- E : 3500 PSI max.

WIDE SPEED RANGE

Industrial pumps : from 600 to 3600 RPM

BETTER EFFICIENCY

Over 94 % under high pressure, which increases productivity and reduces heating and operation costs.

LOW NOISE LEVELS

Increase operator safety and acceptance.

MOUNTING FLEXIBILITY

- Single pumps : 4 positions.
- Double pumps : 32 positions.
- Triple pumps : 128 positions.

CARTRIDGE DESIGN

Provides for drop-in assemblies. They permit easy conversion and service.
 B and D cartridges : bi-directional
 C and E cartridges : Uni-directional.

WIDE RANGE OF ACCEPTABLE VISCOSITIES

Viscosities from 3900 to 60 SUS permit colder starts and hotter running. The balanced design compensates for wear and temperature changes. At high viscosity or cold temperature, the rotor to side plates gap is well lubricated and improves mechanical efficiency.

FIRE RESISTANT FLUIDS AND BIODEGRADABLE FLUIDS

Including phosphate esters, organic esters, chlorinated hydrocarbons, water glycols, rapeseed may be pumped at higher pressures and with longer service life by these pumps.

GENERAL APPLICATIONS INSTRUCTIONS

1. Check speed range, pressure, temperature, fluid quality, viscosity and pump rotation.
2. Check inlet conditions of the pump, if it can accept application requirement.
3. Type of shaft : if would support operating torque.
4. Coupling must be chosen to minimize pump shaft load (weight, misalignment).
5. Filtration : must be adequate for lowest contamination level.
6. Environment of pump : to avoid noise reflection, pollution and shocks.

Model of pump	Displ.	Theoretical Displacement Vi in ³ /rev	Minimum speed RPM	Maximum speed		Maximum pressure					
				HF-0, HF-1 HF-2	HF-3, HF-4 HF-5	HF-0, HF-2		HF-1, HF-4, HF-5		HF-3	
				RPM	RPM	Int. PSI	Cont. PSI	Int. PSI	Cont. PSI	Int. PSI	Cont. PSI
T7B T7BS	B02	.35	600	3600	1800	4650 ¹⁾	4200	3500	3000	2500	2000
	B03	.60									
	B04	.78									
	B05	.97									
	B06	1.20									
	B07	1.37									
	B08	1.51									
	B09	1.70									
	B10	1.92									
	B11	2.14									
	B12	2.47									
	B14	2.70									
B15	3.01										
T6C	003	.66	600	2800	1800	4000	3500	3000	2500	2500	2000
	005	1.05									
	006	1.30									
	008	1.61									
	010	2.08									
	012	2.26									
	014	2.81									
	017	3.56									
	020	3.89									
	022	4.29									
	025	4.84									
	028	5.42									
031	6.10										
T7D T7DS	B14	2.64	600	3000	1800	4350	3600	3500	3000	2500	2000
	B17	3.30									
	B20	3.95									
	B22	4.29									
	B24	4.86									
	B28	5.39									
	B31	5.94									
	B35	6.80									
	B38	7.23									
	B42	8.26									
	045 ²⁾	8.89									
	050 ²⁾	9.64									
T7E T7ES	042	8.07	600	2200	1800	3500	3000	3000	2500	2500	2000
	045	8.70									
	050	9.67									
	052	10.00									
	054	10.43									
	057	11.18									
	062	12.00									
	066	13.00									
	072	13.86									
	085	16.40									

HF-0, HF-2 = Anti-wear petroleum base.

HF-1 = Non anti-wear petroleum base.

HF-5 = Synthetic fluids.

HF-3 = Water-in-oil invert emulsions.

HF-4 = Water glycol solutions.

¹⁾ Please consult DENISON Hydraulics for applications over 4350 PSI.

²⁾ Ten vanes technology.

For further information or if the performance characteristics outlined above do not meet your own particular requirements, please consult your local DENISON Hydraulics office.

Model of pump	Displ.	Theoretical Displacement Vi in ³ /rev	Minimum speed RPM	Maximum speed		Maximum pressure					
				HF-0, HF-1 HF-2	HF-3, HF-4 HF-5	HF-0, HF-2		HF-1, HF-4, HF-5		HF-3	
				RPM	RPM	Int. PSI	Cont. PSI	Int. PSI	Cont. PSI	Int. PSI	Cont. PSI
T7 <u>BB</u> /S T67 <u>CB</u> T7 <u>DB</u> /S T7 <u>EB</u> /S T67 <u>DBB</u> T67 <u>DCB</u> T7 <u>DDB</u> /S T7 <u>EDB</u> /S	B02	.35	600	2200 ³⁾	1800	T7BB T7BBS 4650 ¹⁾	T7BB T7BBS 4200	3500	3000	2500	2000
	B03	.60									
	B04	.78									
	B05	.97									
	B06	1.20									
	B07	1.37									
	B08	1.51									
	B09	1.70									
	B10	1.92									
	B11	2.14									
	B12	2.47									
	B14	2.70				4060	3500				
	B15	3.01									
T6 <u>CC</u> T67 <u>CB</u> T67 <u>DC</u> T67 <u>EC</u> T67 <u>DCB</u> T67 <u>DCC</u> T67 <u>DDC</u> S T67 <u>EDC</u> /S	003	.66	600	2200 ³⁾	1800	4000	3500	3000	2500	2500	2000
	005	1.05									
	006	1.30									
	008	1.61									
	010	2.08									
	012	2.26									
	014	2.81									
	017	3.56									
	020	3.89									
	022	4.29									
	025	4.84									
	028	5.42				3000	2300	2300			
	031	6.10									
T7 <u>DB</u> /S T67 <u>DC</u> T7 <u>DD</u> /S T7 <u>ED</u> S T67 <u>DBB</u> T67 <u>DCB</u> T67 <u>DCC</u> T7 <u>DDB</u> /S T67 <u>DDC</u> S T7 <u>EDB</u> /S T67 <u>EDC</u> /S	B14	2.64	600	2200 ³⁾	1800	3630	3000	3500	3000	2500	2000
	B17	3.30									
	B20	3.95									
	B22	4.29									
	B24	4.86									
	B28	5.39									
	B31	5.94									
	B35	6.80									
	B38	7.23									
	B42	8.26									
	045 ²⁾	8.89									
	050 ²⁾	9.64				3000	2300	3000	2300		
	T7 <u>EB</u> /S T67 <u>EC</u> T7 <u>ED</u> S T7 <u>EE</u> /S T67 <u>EDB</u> /S T67 <u>EDC</u> /S	042				8.07	600	2200 ³⁾	1800	3500	3000
045		8.70									
050		9.67									
052		10.00									
054		10.43									
057		11.18									
062		12.00									
066		13.00									
072		13.86									
085		16.40	1300	1100	1100	1100				1100	1100

HF-0, HF-2 = Anti-wear petroleum base.

HF-1 = Non anti-wear petroleum base.

HF-5 = Synthetic fluids.

HF-3 = Water-in-oil invert emulsions.

HF-4 = Water glycol solutions.

¹⁾ Please consult DENISON Hydraulics for applications over 4350 PSI.

²⁾ Ten vanes technology.

³⁾ Please consult DENISON Hydraulics with higher speeds.

For further information or if the performance characteristics outlined above do not meet your own particular requirements, please consult your local DENISON Hydraulics office.

MINIMUM ALLOWABLE INLET PRESSURE (PSI ABSOLUTE) - GENERAL CATALOG

Cartridges		Speed RPM										Displ.											
Sizes	Displ.	1200	1500	1800	2100	2200	2300	2500	2800	3000	3600												
B	B02	11.6	11.6	11.6	11.6	11.6	11.6	11.6	11.6	11.6	11.6	B02											
	B03											B03											
	B04											B04											
	B05											B05											
	B06											B06											
	B07											B07											
	B08											B08											
	B09											B09											
	B10											B10											
	B11											B11											
	B12											B12											
	B14											B14											
	B15											B15											
	C											003	11.6	11.6	11.6	11.6	11.6	11.6	11.6	13.1	14.5	11.6	003
005		005																					
006		006																					
008		008																					
010		010																					
012		012																					
014		014																					
017		017																					
020		020																					
022		022																					
025		025																					
028		028																					
031		031																					
D		B14	11.6	11.6	11.6	11.6	11.6	11.6	11.6	11.6	11.6	11.6											B14
	B17	B17																					
	B20	B20																					
	B22	B22																					
	B24	B24																					
	B28	B28																					
	B31	B31																					
	B35	B35																					
	B38	B38																					
	B42	B42																					
	045	045																					
	050	050																					
	E	042											11.6	11.6	11.6	13.1	14.5						042
		045																					045
050		050																					
052		052																					
054		054																					
057		057																					
062		062																					
066		066																					
072		072																					
085		085																					

Inlet pressure is measured at inlet flange with petroleum base fluids at viscosity between 60 and 300 SUS. The difference between inlet pressure at the pump flange and atmospheric pressure must not exceed 2.9 PSI to prevent aeration.

Multiply absolute pressure by 1,25 for HF-3, HF-4 fluids.

by 1,35 for HF-5 fluid.

by 1,10 for ester or rapeseed base.

Use the cartridge with the highest absolute pressure for double and triple pumps.

MAIN CALCULATION

To resolve
 Volumetric displ. V_i [in³/rev.]
 Available flow q_v [GPM]
 Input power P [HP]

Performances required
 Requested flow q_v [GPM] 19.8
 Speed n [RPM] 2500
 Pressure p [bar] 3600

Routine :

Example :

1. First calculation $V_i = \frac{231 Q}{n}$

$V_i = \frac{231 \times 19.8}{2500} = 1.83 \text{ in}^3/\text{rev.}$

2. Choice V_i of pump immediately greater (see tabulation)

T7B B10, $V_i = 1.92 \text{ in}^3/\text{rev.}$

3. Theoretical flow of this pump

$q_{V_i} = \frac{V_p \times n}{231}$

$q_{V_i} = \frac{1.92 \times 2500}{231} = 20.78 \text{ GPM}$

4. Find q_{V_s} leakage function of pressure $q_{V_s} = f(p)$ on curve at 60 or 115 SUS

T7B (page 14) : $q_{V_s} = .79 \text{ GPM}$ at 3600 PSI, 115 SUS

5. Available flow $q_{V_e} = q_{V_i} - q_{V_s}$

$q_{V_e} = 20.78 - .79 = 19.99 \text{ GPM}$

6. Theoretical input power

$P_i = \frac{q_{V_i} \times p}{1714}$

$P_i = \frac{20.78 \times 3600}{1714} = 43.64 \text{ HP}$

7. Find P_s hydrodynamic power loss on curve

T7B (page 14) : P_s at 2500 RPM, 3600 PSI = 1.2 HP

8. Calculation of necessary input power $P = P_i + P_s$

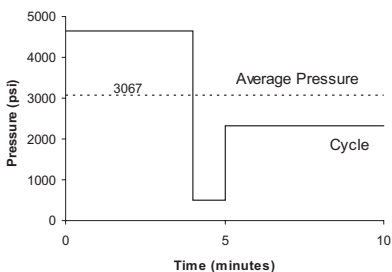
$P = 43.64 + 1.2 = 44.84 \text{ HP}$

9. Results

$V_i = 1.92 \text{ in}^3/\text{rev.}$
 $q_{V_e} = 19.99 \text{ GPM}$
 $P = 44.84 \text{ HP}$) T7B B10

These calculation steps must be followed for each application.

INTERMITTENT PRESSURE RATING



T7 and T67 units may be operated intermittently at pressures higher than the recommended continuous rating when the time weighted average of pressure is less than or equal to the continuous duty pressure rating. This intermittent pressure rating calculation is only valid if other parameters : speed, fluid, viscosity and contamination level are respected.

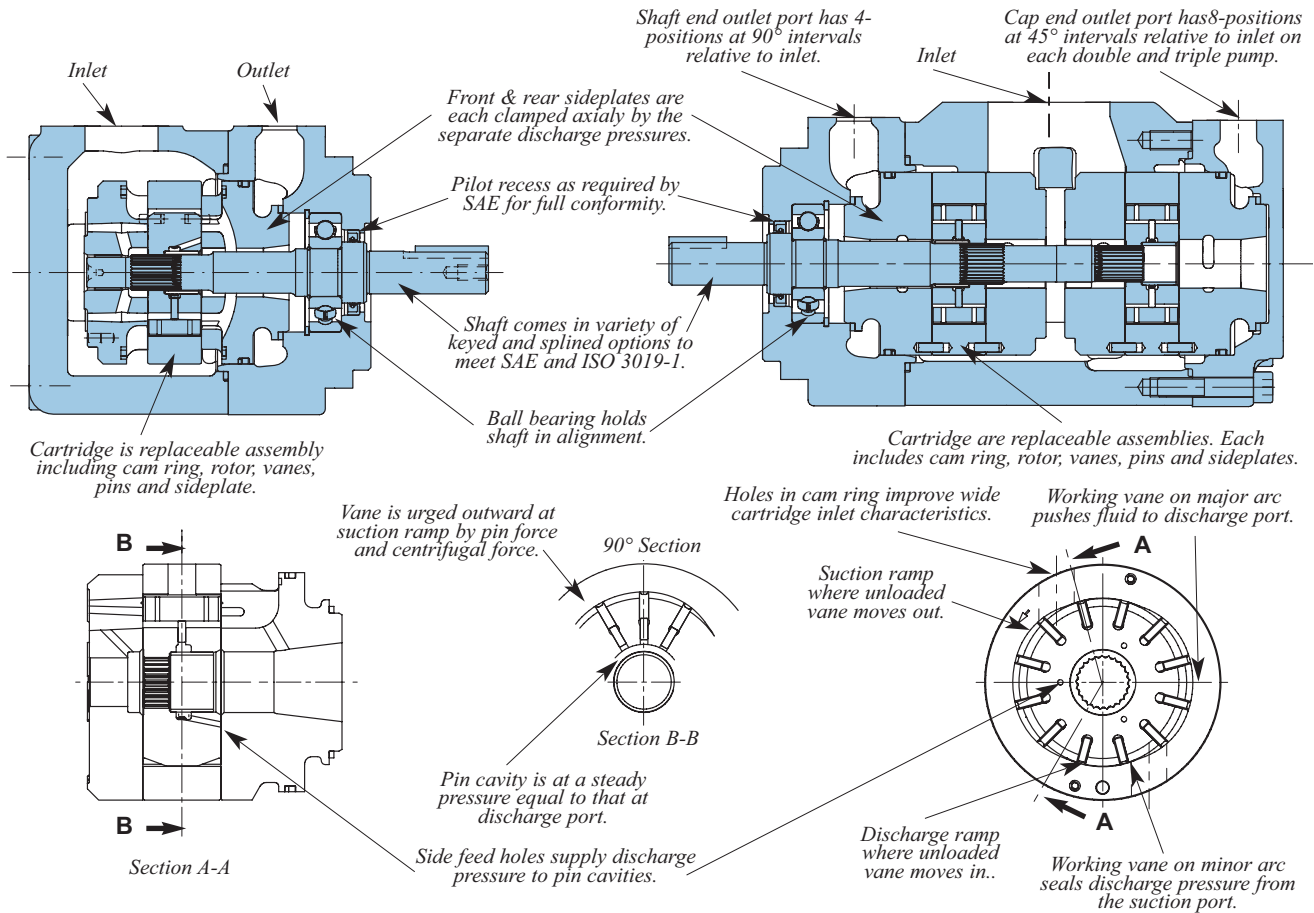
For total cycle time longer than 15 minutes, please consult your DENISON Hydraulics representative.

Example : T7B - B10

Duty cycle
 4 min. at 4650 PSI
 1 min. at 500 PSI
 5 min. at 2300 PSI

$\frac{(4 \times 4650) + (1 \times 500) + (5 \times 2300)}{10} = 3070 \text{ PSI}$

3070 PSI is lower than 4200 PSI allowed as continuous pressure for T7B - B10 with HF-0 fluid.



APPLICATION ADVANTAGES

- The high pressure capability up to 4650 PSI, in the small envelope, reduces installation costs and provides extended life at reduced pressure.
- The high volumetric efficiency, typically better than 94%, reduces heat generation, and allows speeds down to 600 RPM at full pressure.
- The high mechanical efficiency, typically better than 94%, reduces energy consumption.
- The wide speed range (600 RPM at 3600 RPM), combined with large size cartridge displacements will optimize operation for the lowest noise level in the smallest envelope
- The low speed (600 RPM), low pressure, high viscosity (3900 SUS) allows application in cold environment with a minimum energy consumption and without risk of seizure.
- The low ripple pressure (± 29 PSI) reduces piping noise and increases lifetime of other components in the circuit.
- The high resistance to particle contamination, because of the double lip vane, increases pump life.
- The large variety of options (cam displacement, shaft, porting) allows customized installation.
- Noise : Specially designed to optimize the low noise level characteristics.
- Cartridge concept : drops maintenance costs by two.

GENERAL :

All DENISON Hydraulics vane pumps & motors are individually tested to provide the best quality & reliability. Modifications, conversions & repairs can only be done by authorized dealers or OEM to avoid invalidation of the guarantee.

The pumps & motors are to be used in the design limits indicated in all the sales bulletins. Please contact DENISON when trespassing the catalog limits.

Do not modify or work on the pump (or motor) under pressure or when the electric motor (or any drive) is on.

Qualified personnel is required to assemble and set-up hydraulic devices.

Always conform yourself to the valid regulations (safety, electrical, environment...).

The following instructions are important to follow to obtain a good service life time from the unit.

ROTATION & PORTS INDICATION

The rotation and ports orientation are viewed from the shaft end.

CW stands for clockwise, right-hand rotation.

CCW stands for counter-clockwise, left-hand rotation.

START-UP CHECK-UP

Check that the assembly of the power unit is correct :

The distance between the suction pipe & the return lines in the tank should be at its maximum.

A bevel on both suction & return lines is recommended to increase the surface and so lower the velocity. We suggest a 45° minimum angle.

Velocities : inlet $1,64 < x < 6,23$ ft per sec.

: return $x < 19,7$ ft per sec.

: Always insure that all return and suction lines are under the oil level to avoid forming aeration or vortex effect. This should be done under the most critical situation (all cylinders extended for example). Straight and short pipes are the best.

$$V = \frac{Q \text{ (GPM)}}{3.12 \times \pi \times r^2 \text{ (in)}} = \text{ft/s}$$

The size of the air filter should be 3 times greater than the max. instant return flow (all cylinders in movement for example).

If the pump is in the tank, please choose the NOP option (no paint) and use a short inlet pipe.

DENISON does not recommend inlet strainers. If needed, a 100 mesh (149 microns) is the finest mesh recommended.

A coaxial drive is recommended. For any other type of drives, please contact DENISON.

Make sure that all protective plugs & covers have been removed.

Check the pump rotation versus the E-motor or engine rotation.

Start-up :

The tank has been filled up with a clean fluid in proper conditions.

Flushing the system with an external pump prior to the start-up is good.

To allow a good priming of the pump, the air should be bled off.

The first valve on the circuit should be open to tank.

Air bleed off valves are available on the market place.

It is possible to bleed off the air by creating a leak in the P port of the pump.

Warning : this has to be done in low pressure mode as it could create a dangerous fluid leak. Make sure that the pressure cannot rise (open center valve to tank, pressure relief valve unloaded ...).

When oil free of air appears, tighten the connectors to the correct torque.

The pump should prime within a few seconds. If not, please read the troubleshooting guide (1 - EN0721 - *).

If the pump is noisy, please troubleshoot the system.

Never operate the pump at top speed and pressure without checking the completion of pump priming.

SHAFT & COUPLING DATA :

COUPLINGS AND FEMALE SPLINES

- ◆ The mating female spline should be free to float and find its own center. If both members are rigidly supported, they must be aligned within 0.006" TIR or less to reduce fretting. The angular alignment of two splines axes must be less than $\pm 0.002''$ per 1" radius.
- ◆ The coupling spline must be lubricated with a lithium molydisulfide grease, disulfide of molybdenum or a similar lubricant.
- ◆ The coupling must be hardened to a hardness between 29 and 45 HRC.
- ◆ The female spline must be made to conform to the Class 1 fit as described in SAE-J498b (1971). This is described as a Flat Root Side Fit.

KEYED SHAFTS

DENISON Hydraulics supplies the T6 series keyed shaft pumps with high strength heat-treated keys. Therefore, when installing or replacing these pumps, the heat-treated keys must be used in order to ensure maximum life in the application. If the key is replaced, it must be a heat-treated key between 27 and 34 R.C. hardness. The corners of the keys must be chamfered by 0.03 to 0.04 at 45° to clear the radii in the key way.

The alignment of keyed shafts must be within tolerances given for splined shafts here above.

SHAFT LOADS

These products are primarily designed for coaxial drives which do not impose axial or side loading on the shaft. Contact DENISON for specific applications.

SPECIFIC POINTS :

MINIMUM INLET PRESSURE

Please read the charts in the sales leaflets as the minimum requested inlet pressure varies versus the displacement and the speed.
Never go under 11.6 PSI Absolute (-2.9 PSI G).

MAXIMUM INLET PRESSURE

It is recommended to always have at least 22 PSI differential between inlet and outlet. Standard shaft seals are limited to 10 PSI G but some allow 100 PSI G. Please contact DENISON for more information.

MINIMUM OUTLET PRESSURE

It is recommended to always have at least 22 PSI differential between inlet and outlet.

VERTICAL MOUNT

When assembled vertically, always be careful to prevent any air from being trapped in the pump (behind the shaft seal for example).

FLUIDS :

DENISON CLASSIFICATIONS

Type of fluids : For all types of fluids, DENISON's products have different pressures, speeds & temperature limits. Please refer to the sales leaflets.
 HF-0 = Anti-wear petroleum base.
 HF-1 = Non anti-wear petroleum base.
 HF-2 = Anti-wear petroleum base.
 HF-3 = Water-in-oil invert emulsions.
 HF-4 = Water glycol solutions.
 HF-5 = Synthetic fluids.

FILTRATION RECOMMENDATIONS

NAS 1638 class 8 or better.
 ISO 18 / 14 or better.
 Inlet strainers : DENISON does not recommend inlet strainers.
 If requested, a 100 mesh (149 microns) is the finest mesh recommended.

RECOMMENDED FLUIDS

Petroleum based antiwear R & O fluids.
 These fluids are the recommended fluids for pumps & motors. Maximum catalog ratings and performance data are based on operation with these fluids. These fluids are covered by DENISON Hydraulics HF-0 and HF-2 specifications.

ACCEPTABLE ALTERNATE FLUIDS

The use of fluids other than petroleum based antiwear R & O fluids requires that the maximum ratings of the pumps will be reduced. In some cases the minimum replenishment pressures must be increased. Consult specific sections for more details (page 11).

VISCOSITY

Max. (cold start, low speed & pressure)	Industrial
Max. (full speed & pressure)	3900 SUS
Optimum (max. life)	500 SUS
Min. (full speed & pressure for HF-1, HF-3, HF-4 & HF-5 fluids)	140 SUS
Min. (full speed & pressure for HF-0 & HF-2 fluids)	90 SUS
	60 SUS

VISCOSITY INDEX

90 min. Higher values extend the range of operating temperatures.

TEMPERATURES

The usual limiting factor of temperature (low or high) comes from the obtained viscosity. The seals are sometimes the limit : standard seals range from -9.4° F to 194° F.

Maximum fluid temperature (θ)	° F
HF-0, HF-1, HF-2	+ 212
HF-3, HF-4	+ 122
HF-5	+ 158
Biodegradable fluids (esters & rapeseed base)	+ 149
Minimum fluid temperature (θ) (also depend on max. viscosity)	° F
HF-0, HF-1, HF-2, HF-5	- 0.4
HF-3, HF-4	+ 50
Biodegradable fluids (esters & rapeseed base)	- 0.4

Over or under these values, please contact DENISON.

WATER CONTAMINATION IN THE FLUID

Maximum acceptable content of water :

- ◆ 0,10 % for mineral base fluids.
 - ◆ 0,05 % for synthetic fluids, crankcase oils, biodegradable fluids.
- If the amount of water is higher, then it should be drained off the circuit.

FLUID POWER FORMULAS

Pump input torque	lbs. in.	$\frac{\text{pressure (PSI)} \times \text{displacement in}^3/\text{rev}}{2 \pi \times \text{mech. eff.}}$
Pump input power	HP	$\frac{\text{rpm} \times (\text{in}^3/\text{rev}) \times \text{pressure (PSI)}}{395934 \times \text{overall eff.}}$
Pump output flow	U.S. gpm	$\frac{\text{rpm} \times (\text{in}^3/\text{rev}) \times \text{volumetric eff.}}{231}$
Fluid motor speed	rpm	$\frac{231 \times \text{flow rate (U.S. gpm)} \times \text{volumetric eff.}}{\text{displacement (in}^3/\text{rev.)}}$
Fluid motor torque	lbs. in	$\frac{\text{pressure (PSI)} \times \text{displacement (in}^3/\text{rev)} \times \text{mech. eff.}}{2 \pi}$
Fluid motor power	HP	$\frac{\text{rpm} \times (\text{in}^3/\text{rev}) \times (\text{PSI}) \times \text{overall eff.}}{395934}$

GENERAL CHARACTERISTICS

	Mounting standard	Weight without connector and bracket - Lbs	Moment of inertia Lb.in ²	SAE 4 bolts J518 - ISO/DIS 6162-1			
				Suction	Pressure		
T7B	ISO 3019-2 100 A2 HW	50.7	1.1	1"1/2	1" or 3/4"		
T7BS	SAE J744 SAE B						
T6C	SAE J744 SAE B	34.6	2.6	1"1/2	1"		
T7D	ISO 3019-2 125 A2 HW	57.3	6.7	2"	1"1/4		
T7DS	SAE J744 SAE C						
T7E	ISO 3019-2 125 A2 HW	95.4	21.3	3 "	1"1/2		
T7ES	SAE J744 SAE C						
					P1	P2	
T7BB	ISO 3019-2 100 A2 HW	71.9	2.3	2"1/2	1" or 3/4"		
T7BBS	SAE J744 SAE B						
T6CC	SAE J744 SAE B	57.3	5.8	2"1/2 or 3"	1"	1" or 3/4"	
T67CB	SAE J744 SAE B	57.3	3.9	2"1/2	1"	3/4"	
T7DB	ISO 3019-2 125 A2 HW	85.1	9.0	3"	1"1/4		
T7DBS	SAE J744 SAE C						
T67DC	SAE J744 SAE C	85.1	9.0	3"	1"1/4	1" or 3/4"	
T7DD	ISO 3019-2 125 B4 HW	123.4	12.4	4"	1"1/4		
T7DDS	SAE J744 SAE C						
T7EB	ISO 3019-2 125 A2 HW	121.2	22.5	3"1/2	1"1/2		
T7EBS	SAE J744 SAE C						
T67EC	SAE J744 SAE C	121.2	24.2	3"1/2	1"1/2	1"	
T7ED	ISO 3019-2 125 A2 HW	145.5	27.2	4"	1"1/2		
T7EDS	SAE J744 SAE C						
T7EE	ISO 3019-2 250 B4 HW	209.4	33.2	4"	1"1/2		
T7EES	SAE J744 SAE E						
					P1	P2	P3
T67DBB	SAE J744 SAE C	134.5	8.9	4"	1"1/4	1"	3/4"
T67DCB			10.1				1" or 3/4"
T67DCC			11.4				
T7DDB	ISO 3019-2 125 B4 HW	145.5	13.5	4"	1"1/4	1"1/4	1" or 3/4"
T7DDBS	SAE J744 SAE C						
T67DDCS	SAE J744 SAE C	145.5	14.7	4"	1"1/4	1"1/4	1" or 3/4"
T7EDB	ISO 3019-2 250 B4 HW	224.9	26.1	4"	1"1/2		1" or 3/4"
T7EDBS	SAE J744 SAE E						
T67EDC	ISO 3019-2 250 B4 HW	224.9	27.4	4"	1"1/2		1" or 3/4"
T67EDCS	SAE J744 SAE E						

Model No.

T7B or T7BS - B10 - 1 R 00 - A 1 M0 - ..

T7B series - 100 A2 HW
ISO 2 bolts 3019-2 mounting flange
T7BS series - SAE B 2 bolts
Mounting flange J744

Displacement

Volumetric displacement (in³/rev)
B02 = .35 B09 = 1.70
B03 = .60 B10 = 1.92
B04 = .78 B11 = 2.14
B05 = .97 B12 = 2.47
B06 = 1.20 B14 = 2.70
B07 = 1.37 B15 = 3.01
B08 = 1.51

Type of shaft T7B - T7BS

2 = keyed (ISO R775)

Type of shaft T7BS

1 = keyed (SAE B)
3 = splined (SAE B)
4 = splined (SAE BB)

Modifications

Mounting w/connection variables

4 bolts SAE flange (J518C)

	Metric thread T7B - T7BS		UNC thread T7BS	
	M0	M1	00	01
P	1"	3/4"	1"	3/4"
S	1 1/2"			

Seal class

1 = S1 - BUNA N
4 = S4 - EPDM
5 = S5 - VITON

Design letter

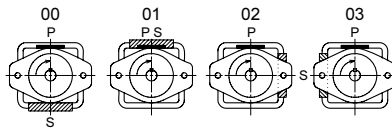
Porting combination

00 = standard

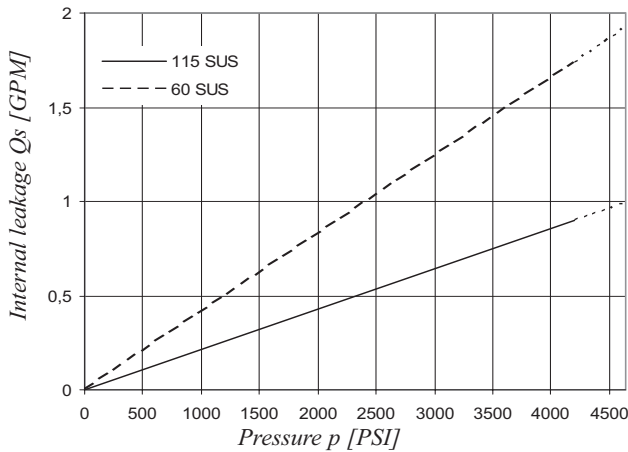
Direction of rotation (view on shaft end)

R = Clockwise
L = Counter-clockwise

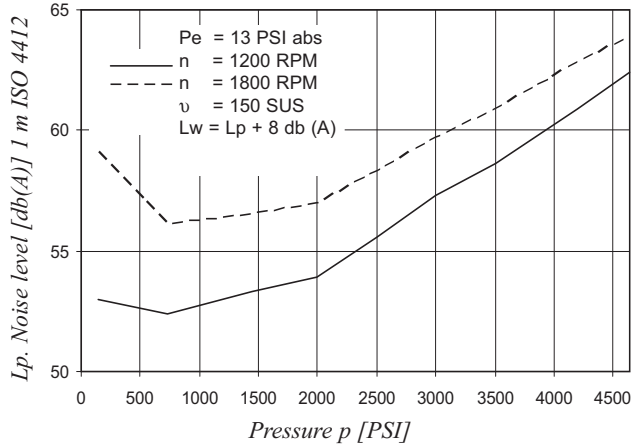
P = Pressure port
S = Suction port



INTERNAL LEAKAGE (TYPICAL)

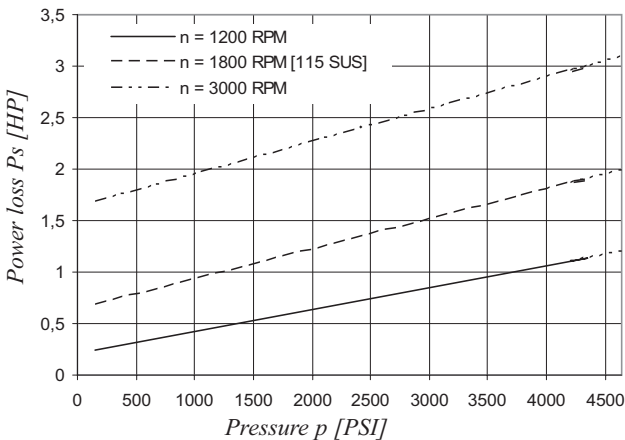


**NOISE LEVEL (TYPICAL)
T7B - B10**

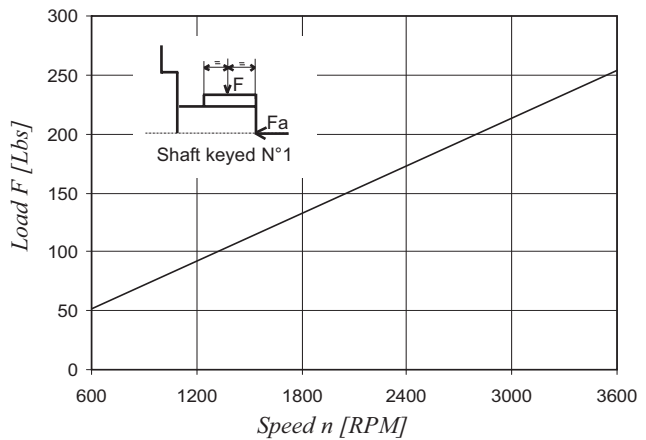


Do not operate pump more than 5 seconds at any speed or viscosity if internal leakage is more than 50% of theoretical flow.

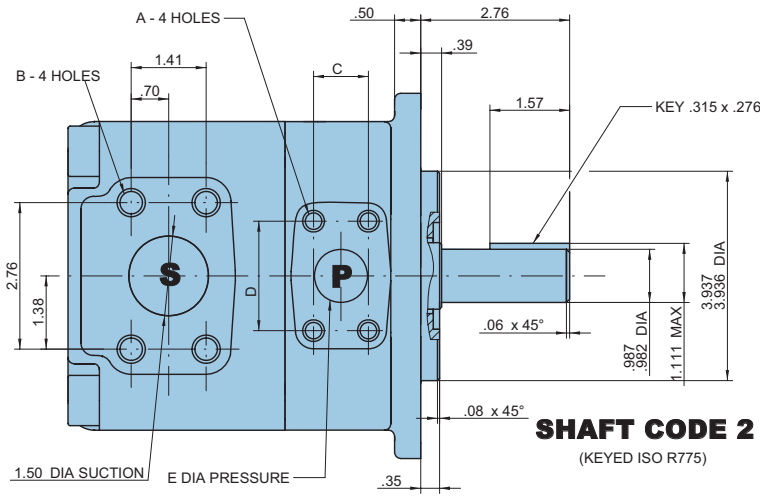
HYDROMECHANICAL POWER LOSS (TYPICAL)



PERMISSIBLE RADIAL LOAD

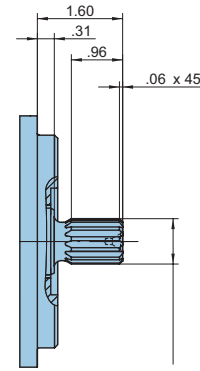


Maximum permissible axial load Fa = 180 Lbs



T7B SERIE

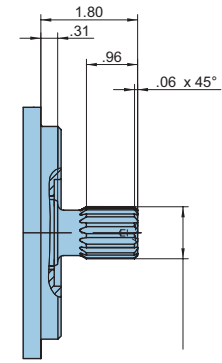
(FLANGE ISO 3019/2 100A2HW)



SHAFT CODE 2

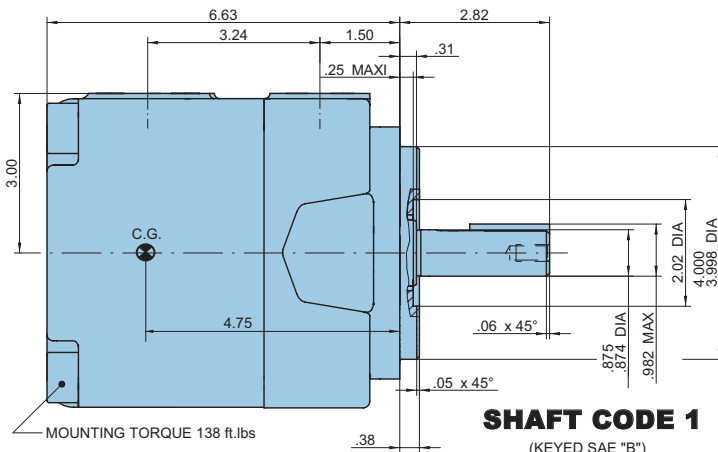
(KEYED ISO R775)

SAE B INVOLUTE SPLINE DATA
CLASS 1-FLAT ROOT SIDE FIT
J498b - PITCH 16/32
13 TEETH - 30° PRESSURE ANGLE



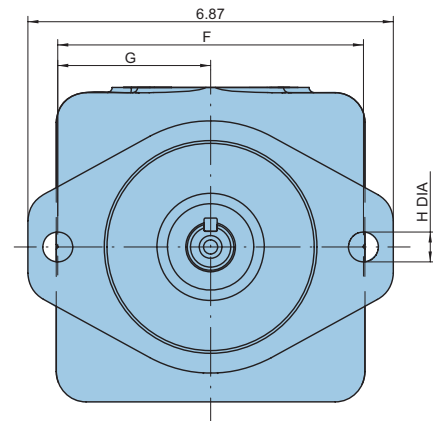
SHAFT CODE 3

SAE BB INVOLUTE SPLINE DATA
CLASS 1-FLAT ROOT SIDE FIT
J498b - PITCH 16/32
15 TEETH - 30° PRESSURE ANGLE



T7BS SERIE

(FLANGE SAE "B")



	T7BS		T7B	
	00	01	M0	M1
A DIA	3/8 16 UNC x .75 deep		M10 x .75 deep	
B DIA	1/2 13 UNC x .88 deep		M12 x .88 deep	
C	1.03	.87	1.03	.87
D	2.06	1.87	2.06	1.87
E DIA	1.00	.75	1.00	.75
F	5.75		5.51	
G	2.87		2.75	
H DIA	.56		.55	

Shaft torque limits [in ³ /rev. x PSI]	
Shaft	Vi x p max.
1	14615
2	18246
3	18246
4	18246

OPERATING CHARACTERISTICS - TYPICAL [115 SUS]

Pressure Port	Series	Volumetric Displacement Vi	Flow qVe [GPM] & n = 1800 RPM			Input power P [HP] & n = 1800 RPM		
			p = 0 PSI	p = 2000 PSI	p = 4650 PSI	p = 100 PSI	p = 2000 PSI	p = 4650 PSI
T7B T7BS	B02	.35 in ³ /rev	2.76	2.31	1.73	0.97	4.53	9.34
	B03	.60 in ³ /rev	4.66	4.21	3.63	1.08	6.78	14.49
	B04	.78 in ³ /rev	6.09	5.64	5.06	1.17	8.47	18.36
	B05	.97 in ³ /rev	7.56	7.11	6.53	1.25	10.22	22.35
	B06	1.20 in ³ /rev	9.32	8.87	8.29	1.36	12.30	27.11
	B07	1.37 in ³ /rev	10.70	10.25	9.67	1.44	13.93	30.84
	B08	1.51 in ³ /rev	11.79	11.34	10.76	1.50	15.23	33.80
	B09	1.70 in ³ /rev	13.27	12.82	12.24	1.59	16.97	37.80
	B10	1.92 in ³ /rev	14.98	14.53	13.95	1.69	19.00	42.43
	B11	2.14 in ³ /rev	16.64	16.19	15.68 ¹⁾	1.79	20.97	44.05 ¹⁾
	B12	2.47 in ³ /rev	19.26	18.81	18.29 ¹⁾	1.95	24.07	50.69 ¹⁾
	B14	2.70 in ³ /rev	21.02	20.57	20.05 ¹⁾	2.05	26.16	55.15 ¹⁾
	B15	3.01 in ³ /rev	23.49	23.04	22.59 ²⁾	2.20	29.08	57.39 ²⁾

¹⁾ B11 - B12 - B14 = 4350 PSI max. int.

²⁾ B15 = 4060 PSI max. int.

Model No.

T6C - 022 - 1 R 00 - B 1 - ..

Series SAE B 2 bolts
Mounting flange J744

Displacement
Volumetric displacement (in³/rev)
003 = .66 017 = 3.56
005 = 1.05 020 = 3.89
006 = 1.30 022 = 4.29
008 = 1.61 025 = 4.84
010 = 2.08 028 = 5.42
012 = 2.26 031 = 6.10
014 = 2.81

Type of shaft
1 = keyed (SAE B)
2 = keyed (non SAE)
3 = splined (SAE B)
4 = splined (SAE BB)

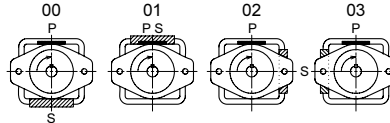
Modifications

Seal class
1 = S1 - BUNA N
4 = S4 - EPDM
5 = S5 - VITON

Design letter

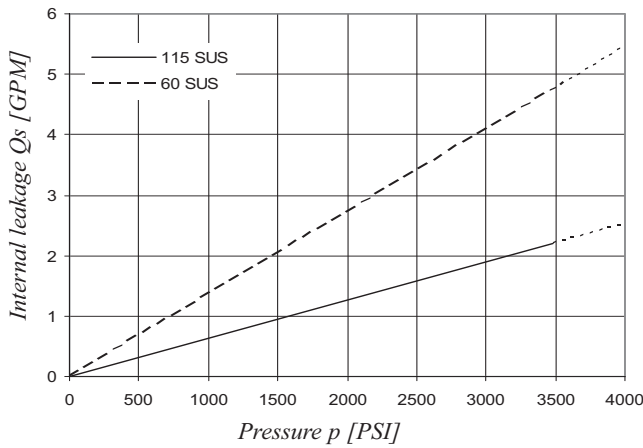
Porting combination
00 = standard

Direction of rotation (view on shaft end)
R = Clockwise
L = Counter-clockwise

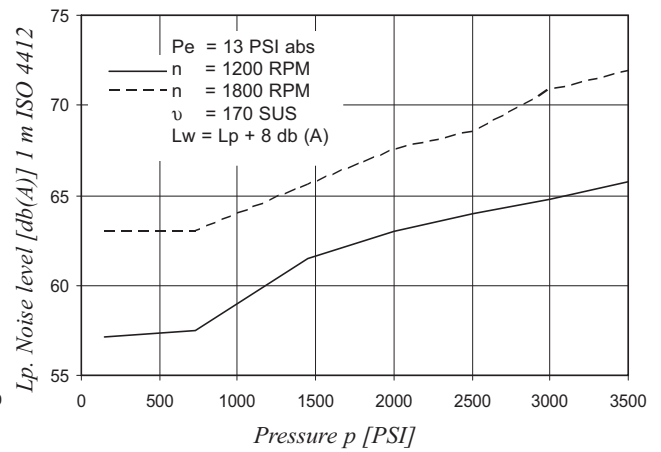


P = Pressure port
S = Suction port

INTERNAL LEAKAGE (TYPICAL)

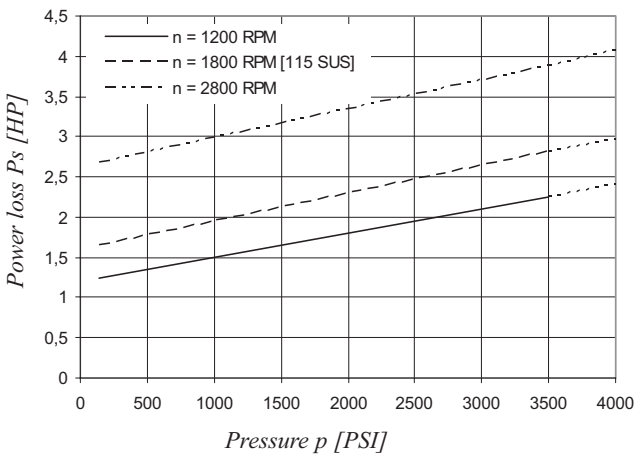


**NOISE LEVEL (TYPICAL)
T6C - 022**

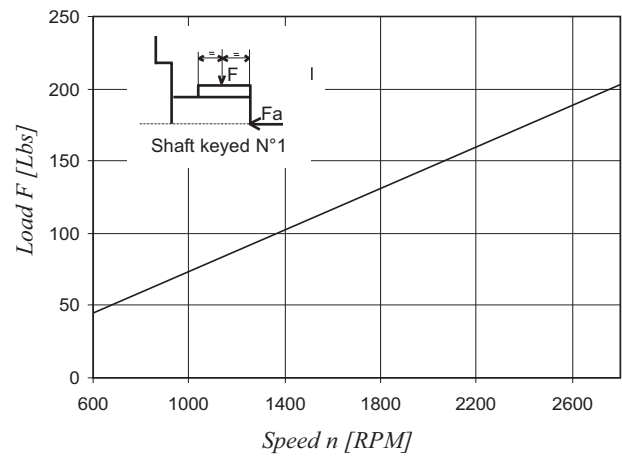


Do not operate pump more than 5 seconds at any speed or viscosity if internal leakage is more than 50% of theoretical flow.

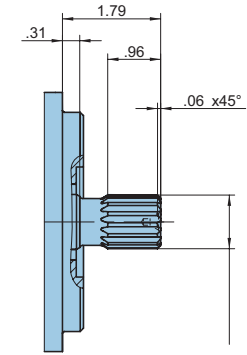
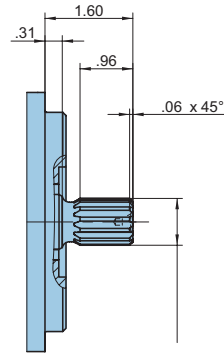
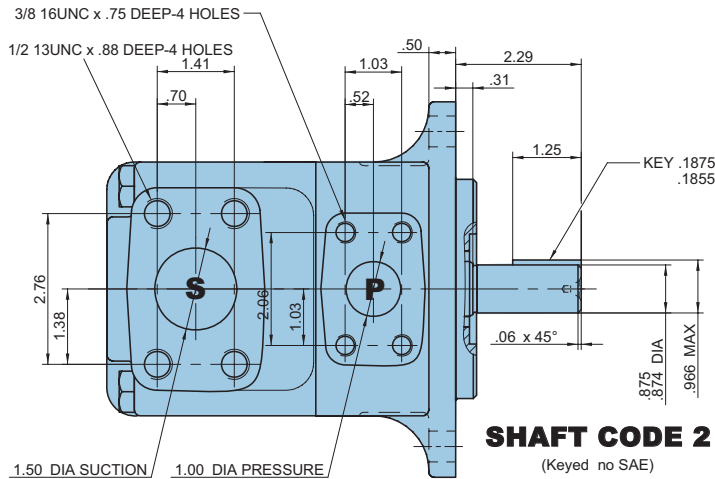
HYDROMECHANICAL POWER LOSS (TYPICAL)



PERMISSIBLE RADIAL LOAD

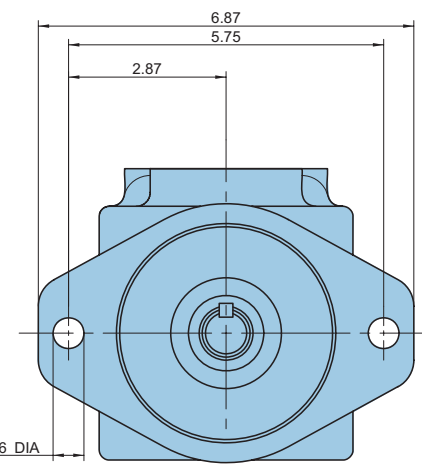
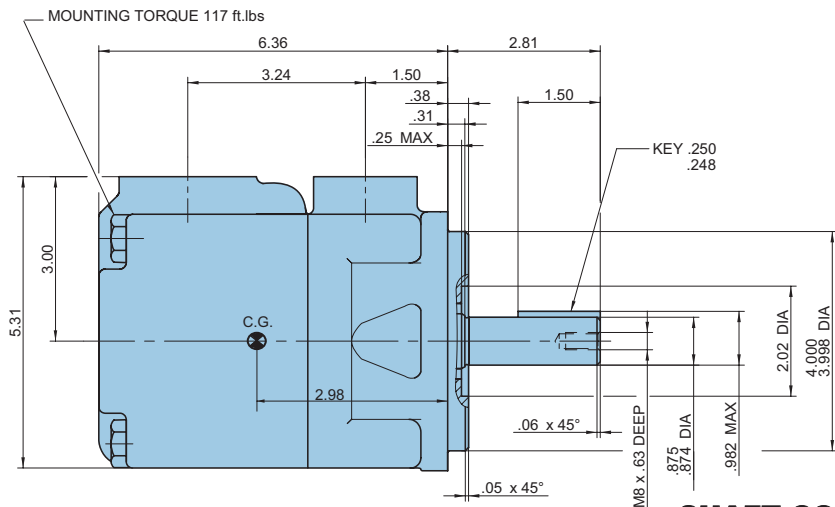


Maximum permissible axial load Fa = 180 Lbs



SAE B INVOLUTE SPLINE DATA
CLASS 1-FLAT ROOT SIDE FIT
J498b - PITCH 16/32
13 TEETH - 30° PRESSURE ANGLE

SAE BB INVOLUTE SPLINE DATA
CLASS 1-FLAT ROOT SIDE FIT
J498b - PITCH 16/32
15 TEETH - 30° PRESSURE ANGLE



Shaft torque limits [in ³ /rev. x PSI]	
Shaft	Vi x p max.
1	14473
2	12666
3	18246
4	19309

OPERATING CHARACTERISTICS - TYPICAL [115 SUS]

Pressure Port	Series	Volumetric Displacement Vi	Flow qVe [GPM] & n = 1800 RPM			Input power P [HP] & n = 1800 RPM		
			p = 0 PSI	p = 2000 PSI	p = 3500 PSI	p = 100 PSI	p = 2000 PSI	p = 3500 PSI
T6C	003	.66 in ³ /rev	5.14	3.85	2.95	2.11	8.45	13.38
	005	1.05 in ³ /rev	8.18	6.86	5.99	2.29	12.00	19.59
	006	1.30 in ³ /rev	10.13	8.84	7.94	2.40	14.28	23.57
	008	1.61 in ³ /rev	12.55	11.26	10.36	2.54	17.11	28.53
	010	2.08 in ³ /rev	16.22	14.93	14.03	2.76	21.38	36.00
	012	2.26 in ³ /rev	17.64	16.35	15.45	2.84	23.05	38.92
	014	2.81 in ³ /rev	21.88	20.59	19.69	3.09	27.99	47.56
	017	3.56 in ³ /rev	27.73	26.44	25.54	3.43	34.81	59.51
	020	3.89 in ³ /rev	30.34	29.05	28.15	3.58	37.86	64.85
	022	4.29 in ³ /rev	33.43	32.14	31.24	3.76	41.47	71.16
	025	4.84 in ³ /rev	37.71	36.42	35.52	4.01	46.46	79.90
	028	5.42 in ³ /rev	42.23	40.94	40.32 ¹⁾	4.27	51.74	76.73 ¹⁾
	031	6.10 in ³ /rev	47.56	46.27	45.65 ¹⁾	4.58	57.95	86.06 ¹⁾

¹⁾ 028 - 031 = 3000 PSI max. int. Port connection can be furnished with metric threads.

Model No.

T7D or T7DS - B42 - 1 R 00 - A 1 M0 - ..

T7D series - 125 A2 HW
ISO 2 bolts 3019-2 mounting flange
T7DS series - SAE C 2 bolts
Mounting flange J744

Displacement
Volumetric displacement (in³/rev)
B14 = 2.64 B31 = 5.94
B17 = 3.30 B35 = 6.80
B20 = 3.95 B38 = 7.23
B22 = 4.29 B42 = 8.26
B24 = 4.86 045 = 8.89
B28 = 5.39 050 = 9.64

Type of shaft T7DS
1 = keyed (SAE C 32 - 1)
2 = keyed (non SAE)
3 = splined (SAE C 32 - 4)
4 = splined (non SAE)

Type of shaft T7D - T7DS
5 = keyed (ISO 3019-2 - G32M)

Modifications

Mounting w/connection variables
4 bolts SAE flange J518

	P = 1"1/4 - S = 2"		
	UNC	Metric	
T7D		M0	
T7DS	00	M0	Y0 ¹⁾

1) 3630 PSI max. int.

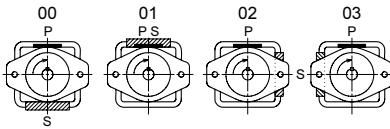
Seal class
1 = S1 - BUNA N
4 = S4 - EPDM
5 = S5 - VITON

Design letter

Porting combination
00 = standard

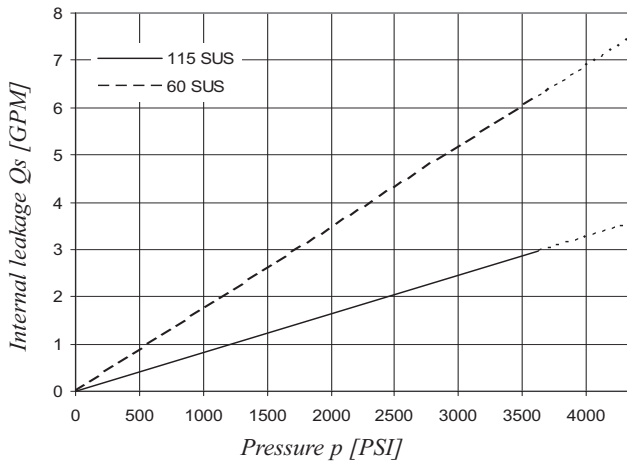
Direction of rotation (view on shaft end)

R = Clockwise
L = Counter-clockwise

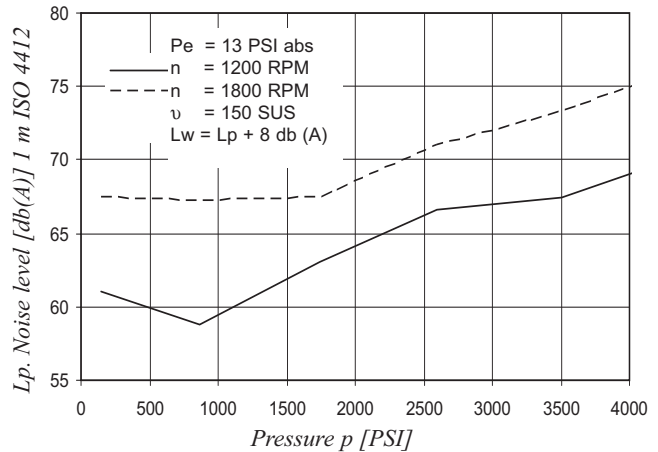


P = Pressure port
S = Suction port

INTERNAL LEAKAGE (TYPICAL)

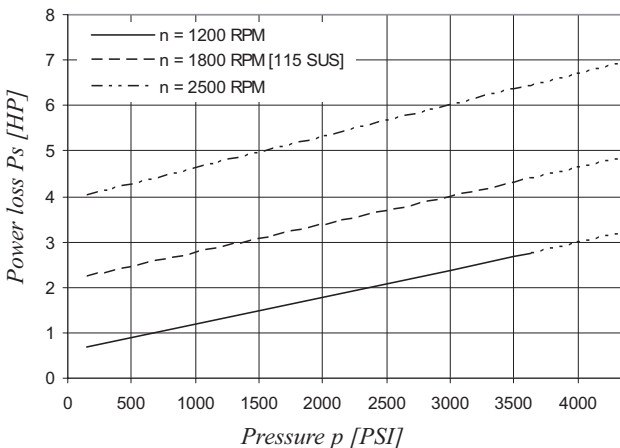


**NOISE LEVEL (TYPICAL)
T7D - B31**

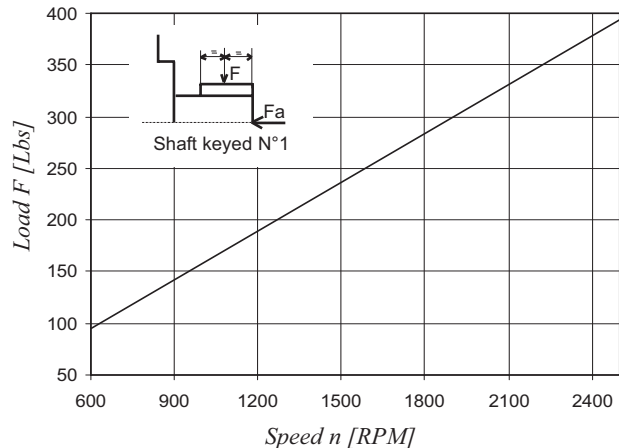


Do not operate pump more than 5 seconds at any speed or viscosity if internal leakage is more than 50% of theoretical flow.

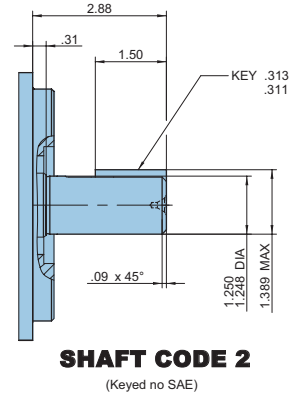
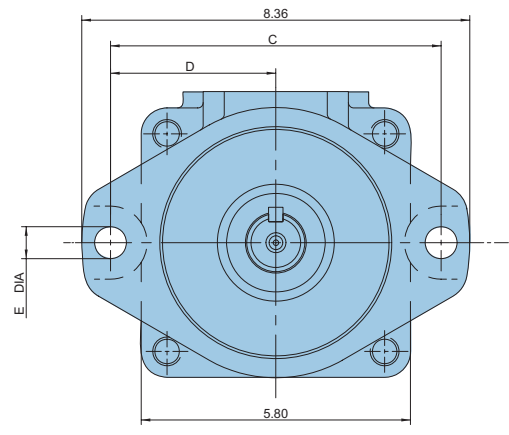
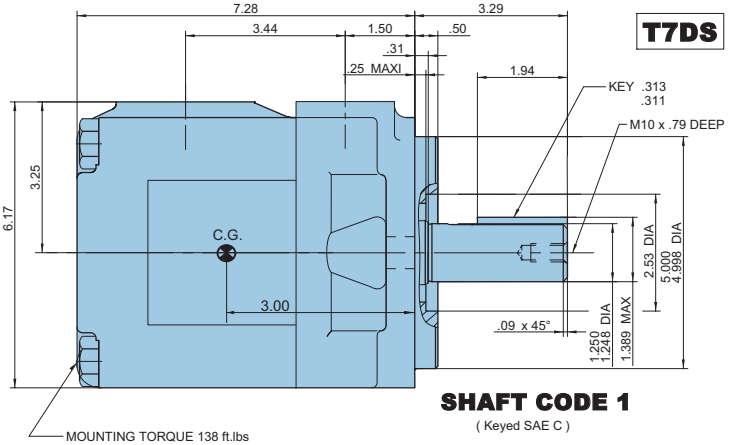
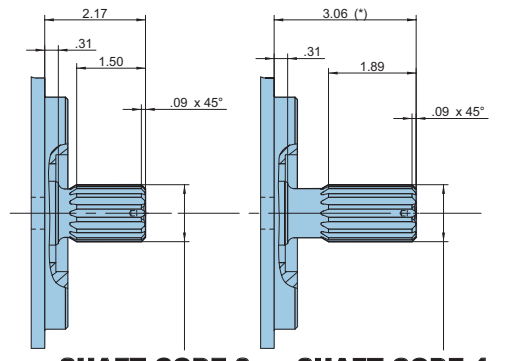
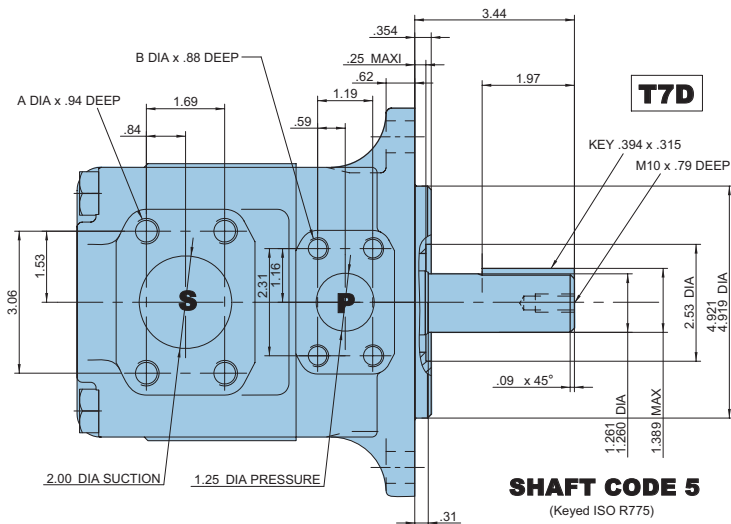
HYDROMECHANICAL POWER LOSS (TYPICAL)



PERMISSIBLE RADIAL LOAD



Maximum permissible axial load Fa = 270 Lbs



Shaft torque limits [in ³ /rev. x PSI]	
Shaft	Vi x p max.
1	38299
2	30638
3	54207
4	54207
5	39238

	T7DS		T7D	
	00	M0	Y0 ¹⁾	M0
A DIA	1/2 - 13 UNC	M12	M12	M12
B DIA	7/16 - 14 UNC	M12	M10	M12
C	7.12		7.09	
D	3.56		3.54	
E DIA	.69		.71	

OPERATING CHARACTERISTICS - TYPICAL [115 SUS]

Pressure port	Series	Volumetric Displacement Vi	Flow qVe [GPM] & n = 1800 RPM			Input power P [HP] & n = 1800 RPM		
			p = 0 PSI	P = 2000 PSI	P = 4350 PSI	p = 100 PSI	p = 2000 PSI	p = 4350 PSI
T7D T7DS	B14	2.64 in ³ /rev	20.54	18.81	16.82	3.23	27.56	56.83
	B17	3.30 in ³ /rev	25.68	23.94	21.96	3.53	33.64	69.87
	B20	3.95 in ³ /rev	30.82	29.08	27.09	3.84	39.73	82.90
	B22	4.29 in ³ /rev	33.43	31.69	29.71	3.99	42.82	89.54
	B24	4.86 in ³ /rev	37.85	36.12	34.13	4.25	48.06	100.76
	B28	5.39 in ³ /rev	42.04	40.30	38.31	4.50	53.02	111.39
	B31	5.94 in ³ /rev	46.32	44.58	42.59	4.75	58.09	122.25
	B35	6.80 in ³ /rev	52.98	51.24	49.50 ¹⁾	5.15	65.97	130.00 ¹⁾
	B38	7.23 in ³ /rev	56.35	54.62	52.88 ¹⁾	5.35	69.97	138.00 ¹⁾
	B42	8.26 in ³ /rev	64.34	62.61	61.11 ²⁾	5.82	79.43	145.84 ²⁾
	045	8.89 in ³ /rev	69.29	66.90	65.19 ³⁾	6.65	85.16	144.19 ³⁾
050	9.64 in ³ /rev	75.14	72.75	71.56 ⁴⁾	7.00	92.09	136.87 ⁴⁾	

1) B35 - B38 = 4060 PSI max. int. 2) B42 = 3770 PSI max. int. 3) 045 = 3500 PSI max. int. 4) 050 = 3000 PSI max. int.
* special 2 1/2 (2.5 dia) suction also available - Please contact DENISON Hydraulics

Model No.

T7E or T7ES - 072 - 1 R 00 - A 1 M0 - ..

T7E series - 125 A2 HW
ISO 2 bolts 3019-2 mounting flange
T7ES series - SAE C 2 bolts
Mounting flange J744

Displacement

Volumetric displacement (in³/rev)

- 042 = 8.07
- 045 = 8.70
- 050 = 9.67
- 052 = 10.00
- 054 = 10.43
- 057 = 11.18
- 062 = 12.00
- 066 = 13.00
- 072 = 13.86
- 085 = 16.40

Type of shaft T7E - T7ES

5 = keyed (ISO R775 - G38M)

Type of shaft T7ES

- 1 = keyed (SAE CC)
- 2 = keyed (non SAE)
- 3 = splined (SAE C)
- 4 = splined (SAE CC)

Modifications

Mounting w/connection variables

4 bolts SAE flange (J518)

	Metric thread T7E - T7ES	UNC thread T7ES
	M0	00
P	1" 1/2	
S	3"	

Seal class

- 1 = S1 - BUNA N
- 4 = S4 - EPDM
- 5 = S5 - VITON

Design letter

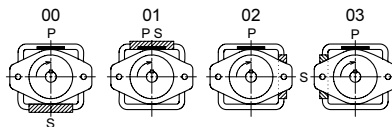
Porting combination

00 = standard

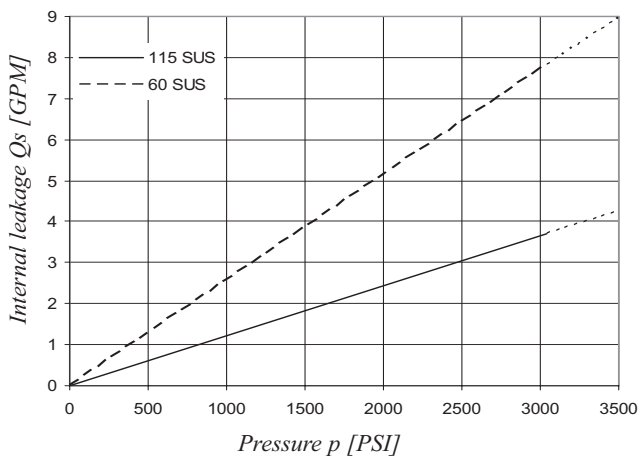
Direction of rotation (view on shaft end)

- R = Clockwise
- L = Counter-clockwise

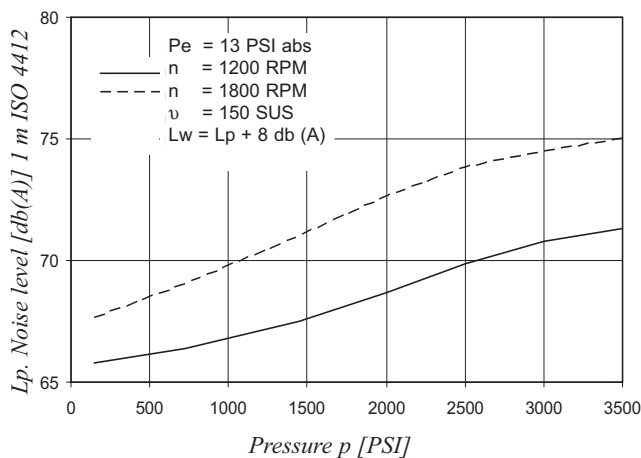
- P = pressure port
- S = Suction port



INTERNAL LEAKAGE (TYPICAL)

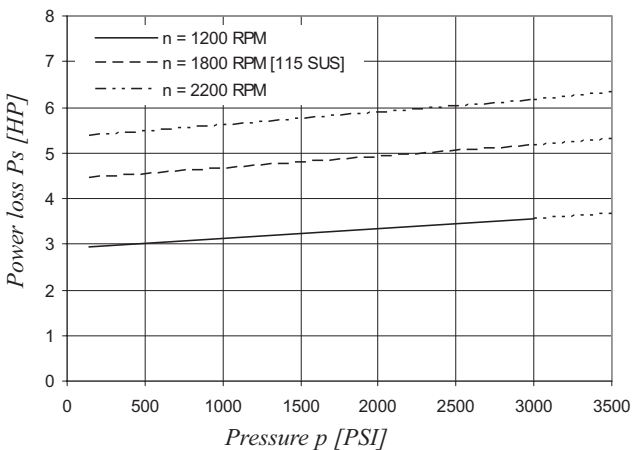


**NOISE LEVEL (TYPICAL)
T7ES - 050**

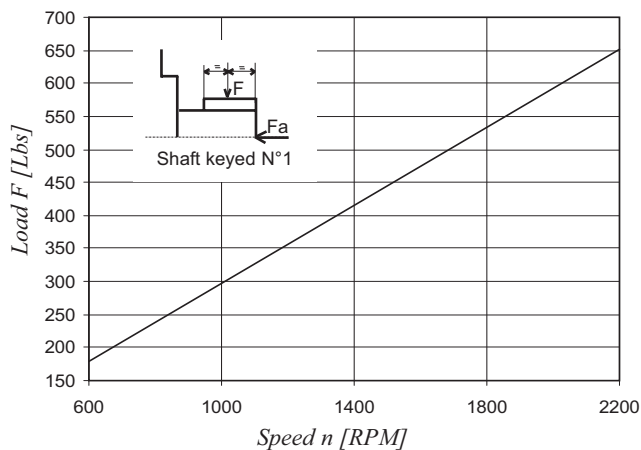


Do not operate pump more than 5 seconds at any speed or viscosity if internal leakage is more than 50% of theoretical flow.

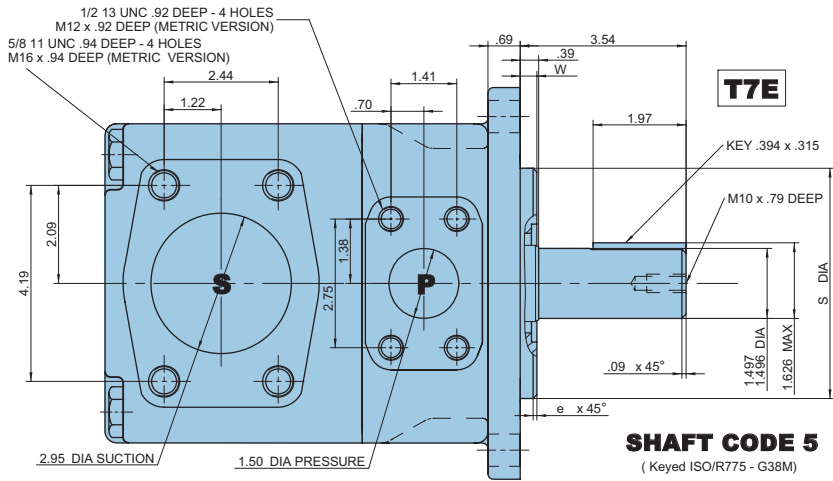
HYDROMECHANICAL POWER LOSS (TYPICAL)



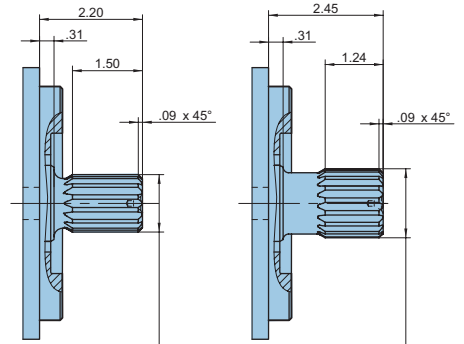
PERMISSIBLE RADIAL LOAD



Maximum permissible axial load Fa = 449 Lbs

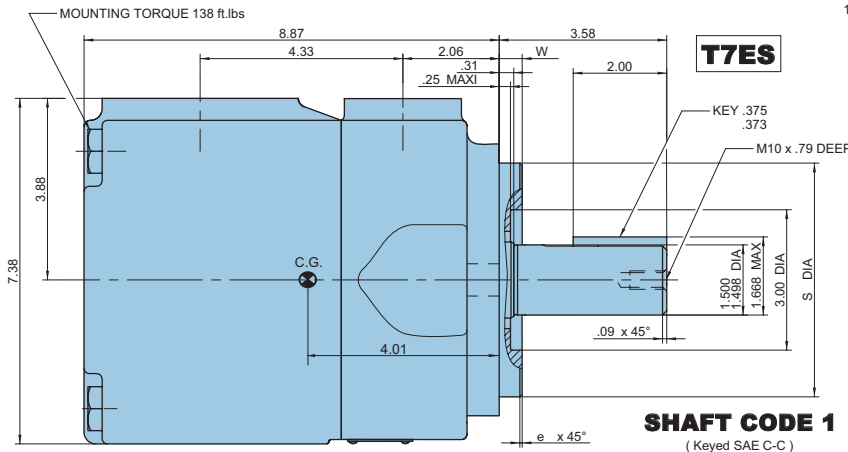


SHAFT CODE 5
(Keyed ISO/R775 - G38M)

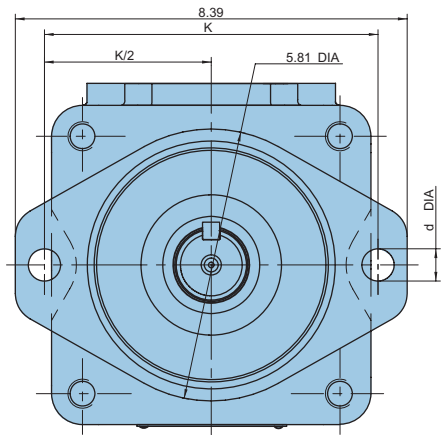


SHAFT CODE 3
SAE C INVOLUTE SPLINE DATA
CLASS 1-FLAT ROOT SIDE FIT
J498b - PITCH 12/24
14 TEETH - 30° PRESSURE ANGLE

SHAFT CODE 4
SAE CC INVOLUTE SPLINE DATA
CLASS 1-FLAT ROOT SIDE FIT
J498b - PITCH 12/24
17 TEETH - 30° PRESSURE ANGLE



SHAFT CODE 1
(Keyed SAE C-C)



SHAFT CODE 2
(Keyed no SAE)

Shaft torque limits [in ³ /rev. x PSI]	
Shaft	Vi x p max.
1	48273
2	30638
3	54207
4	54207
5	48273

Series	Alternate mounting flange					
	S DIA		e x 45°	W	K	d DIA
	Max.	Min.				
T7E	4.921	4.919	.079	.374	7.087	.709
T7ES	5.000	4.998	.051	.500	7.126	.689

OPERATING CHARACTERISTICS - TYPICAL [115 SUS]

Pressure port	Series	Volumetric Displacement Vi	Flow qVe [GPM] & n = 1800 RPM			Input power P [HP] & n = 1800 RPM		
			p = 0 PSI	P = 2000 PSI	P = 3500 PSI	p = 100 PSI	p = 2000 PSI	p = 3500 PSI
T7E T7ES	042	8.07 in ³ /rev	62.92	60.37	58.52	8.09	78.44	133.80
	045	8.70 in ³ /rev	67.72	65.17	63.32	8.37	84.04	143.60
	050	9.67 in ³ /rev	75.38	72.83	70.98	8.82	92.97	159.24
	052	10.00 in ³ /rev	78.37	75.82	73.97	8.99	96.47	165.36
	054	10.43 in ³ /rev	81.27	78.72	76.87	9.17	99.75	177.46
	057	11.18 in ³ /rev	87.12	84.57	82.72	9.51	106.57	189.84
	062	12.00 in ³ /rev	93.54	90.99	89.14	9.88	114.17	196.34
	066	13.00 in ³ /rev	101.44	98.89	97.04	10.34	123.38	212.46
	072	13.86 in ³ /rev	108.00	105.45	103.60	10.72	131.04	225.86
	085	16.40 in ³ /rev	127.79	126.13 ¹⁾	-	11.88	101.66 ¹⁾	-

¹⁾ 085 = 1300 PSI max. int.

* special 3 1/2 (3.5 dia) suction also available - Please contact DENISON Hydraulics

Model No.

T7BB or T7BBS - B10 - B10 - 1 R 00 - A 1 M1 - ..

T7BB series - 100 A2 HW
ISO 2 bolts 3019-2 mounting flange

T7BBS series - SAE B 2 bolts
Mounting flange J744

Displacement P1 and P2

Volumetric displacement (in³/rev)

- B02 = .35 B09 = 1.70
- B03 = .60 B10 = 1.92
- B04 = .78 B11 = 2.14
- B05 = .97 B12 = 2.47
- B06 = 1.20 B14 = 2.70
- B07 = 1.37 B15 = 3.01
- B08 = 1.51

Type of shaft T7BB - T7BBS

5 = keyed (ISO R775)

Type of shaft T7BBS

- 1 = keyed (non SAE)
- 2 = keyed (SAE BB)
- 3 = splined (SAE B)
- 4 = splined (SAE BB)

Modifications

Mounting w/connection variables

4 bolts SAE flange (J518)

	Metric thread		UNC thread	
	T7BB - T7BBS	T7BBS	T7BB	T7BBS
P1	1"	3/4"	1"	3/4"
P2	3/4"			
S	2"1/2			

Seal class

- 1 = S1 - BUNA N
- 4 = S4 - EPDM
- 5 = S5 - VITON

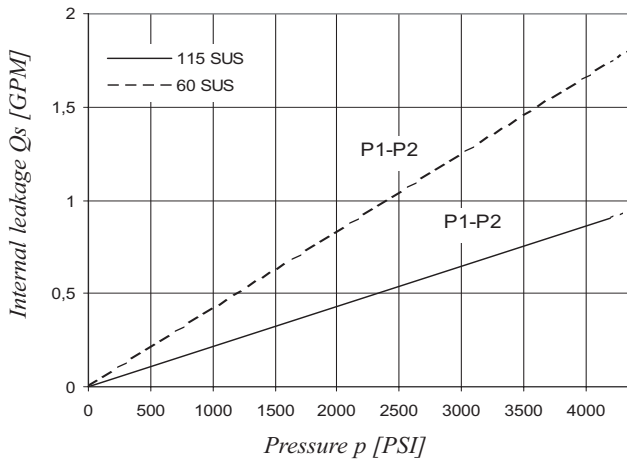
Design letter

Porting combination (see page 62)
00 = standard

Direction of rotation (view on shaft end)

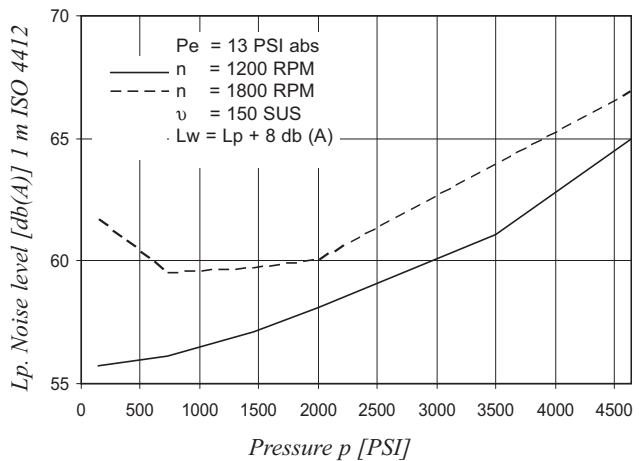
- R = Clockwise
- L = Counter-clockwise

INTERNAL LEAKAGE (TYPICAL)



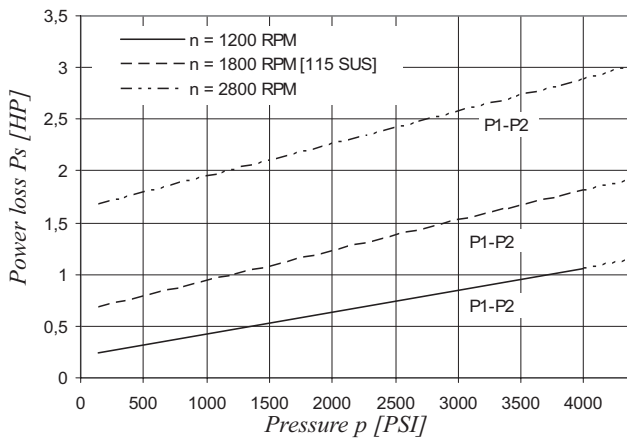
Do not operate pump more than 5 seconds at any speed or viscosity if internal leakage is higher than 50% of theoretical flow. Total leakage is the sum of each section loss at its operating conditions.

NOISE LEVEL (TYPICAL)
T7BB - B10 - B04



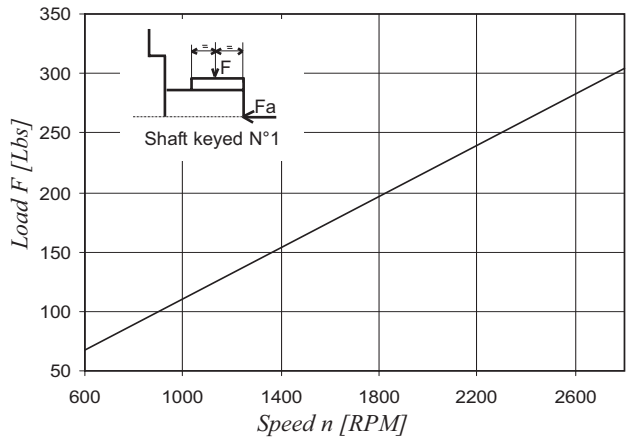
Double pump noise level is given with each section discharging at the pressure noted on the curve.

HYDROMECHANICAL POWER LOSS (TYPICAL)



Total hydromechanical power loss is the sum of each section at its operating conditions.

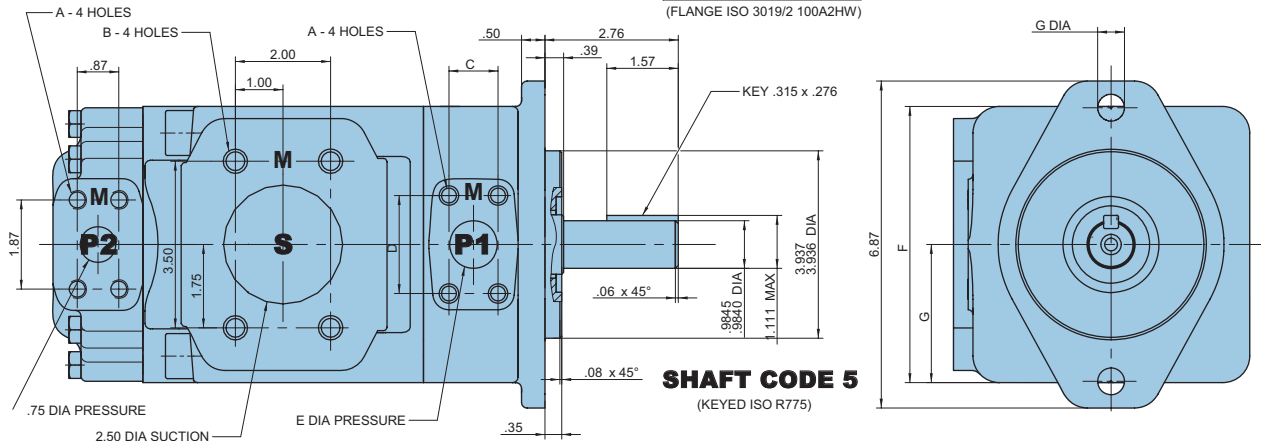
PERMISSIBLE RADIAL LOAD



Maximum permissible axial load Fa = 180 Lbs

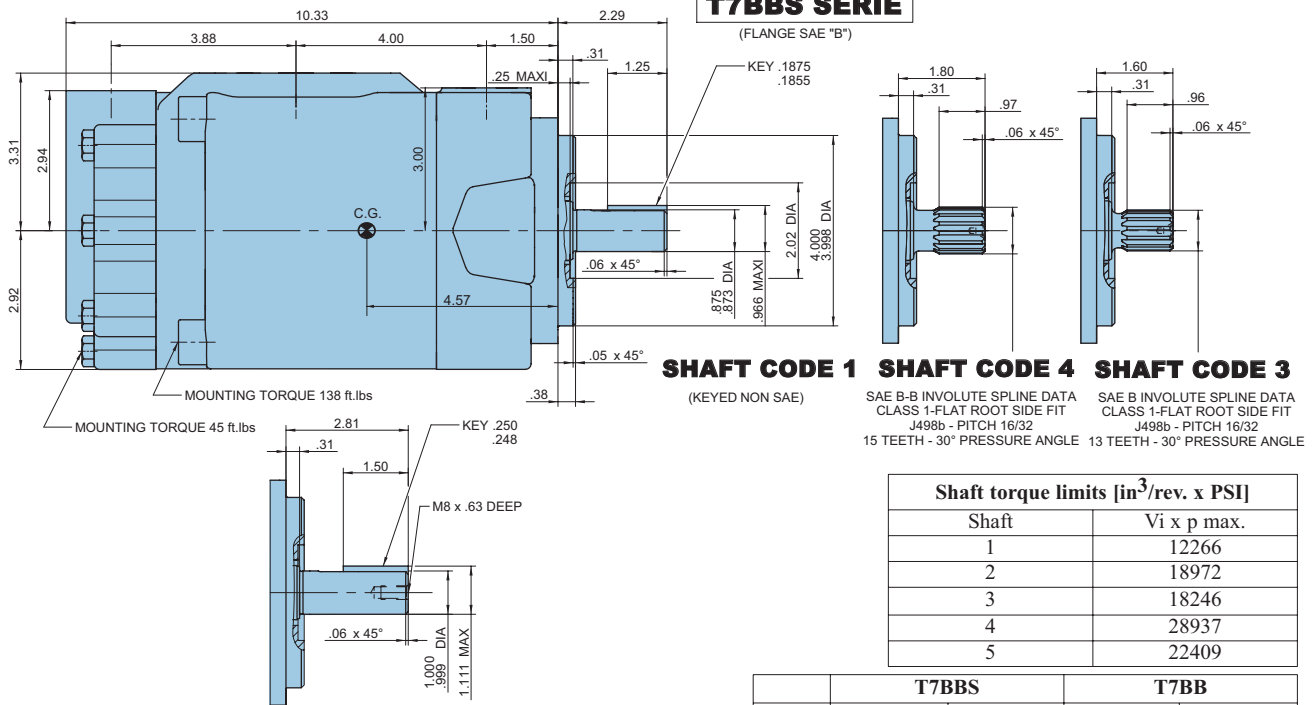
T7BB SERIES

(FLANGE ISO 3019/2 100A2HW)



T7BBS SERIES

(FLANGE SAE "B")



Shaft	Vi x p max.
1	12266
2	18972
3	18246
4	28937
5	22409

	T7BBS		T7BB	
	00	01	M0	M1
A DIA	3/8 16 UNC x .75 deep		M10 x .75 deep	
B DIA	1/2 13 UNC x .88 deep		M12 x .88 deep	
C	1.03	.87	1.03	.87
D	2.06	1.87	2.06	1.87
E DIA	1.00	.75	1.00	.75
F	5.75		5.51	
G DIA	.56		.55	

OPERATING CHARACTERISTICS - TYPICAL [115 SUS]

Pressure Port	Series	Volumetric Displacement Vi	Flow qVe [GPM] & n = 1800 RPM			Input power P [HP] & n = 1800 RPM		
			p = 0 PSI	p = 2000 PSI	p = 4650 PSI	p = 100 PSI	p = 2000 PSI	p = 4650 PSI
P1 & P2	B02	.35 in ³ /rev	2.76	2.31	1.73	0.97	4.53	9.34
	B03	.60 in ³ /rev	4.66	4.21	3.63	1.08	6.78	14.49
	B04	.78 in ³ /rev	6.09	5.64	5.06	1.17	8.47	18.36
	B05	.97 in ³ /rev	7.56	7.11	6.53	1.25	10.22	22.35
	B06	1.20 in ³ /rev	9.32	8.87	8.29	1.36	12.30	27.11
	B07	1.37 in ³ /rev	10.70	10.25	9.67	1.44	13.93	30.84
	B08	1.51 in ³ /rev	11.79	11.34	10.76	1.50	15.23	33.80
	B09	1.70 in ³ /rev	13.27	12.82	12.24	1.59	16.97	37.80
	B10	1.92 in ³ /rev	14.98	14.53	13.95	1.69	19.00	42.43
	B11	2.14 in ³ /rev	16.64	16.19	15.68 ¹⁾	1.79	20.97	44.05 ¹⁾
	B12	2.47 in ³ /rev	19.26	18.81	18.29 ¹⁾	1.95	24.07	50.69 ¹⁾
	B14	2.70 in ³ /rev	21.02	20.57	20.05 ¹⁾	2.05	26.16	55.15 ¹⁾
	B15	3.01 in ³ /rev	23.49	23.04	22.59 ²⁾	2.20	29.08	57.39 ²⁾

¹⁾ B11 - B12 - B14 = 4350 PSI max. int. ²⁾ B15 = 4060 PSI max. int.

Model No.

T6CC W - 022 - 008 - 1 R 00 - C 1 00 - ..

Series SAE B 2 bolts
Mounting flange J744

P1 P2

Severe duty shaft

Displacement P1 and P2

Volumetric displacement (in³/rev)

003 = .66	017 = 3.56
005 = 1.05	020 = 3.89
006 = 1.30	022 = 4.29
008 = 1.61	025 = 4.84
010 = 2.08	028 = 5.42
012 = 2.26	031 = 6.10
014 = 2.81	

Type of shaft Severe duty shaft (T6CCW only)

- 1 = keyed (non SAE)
- 2 = keyed (SAE BB)
- 3 = splined (SAE BB)
- 5 = splined (SAE B)

Direction of rotation (view on shaft end)

- R = Clockwise
- L = Counter-clockwise

Modifications

Mounting w/connection variables

4 bolts SAE flange (J518)

	P1 = 1" - S = 3"		P1 = 1" - 2"1/2 ²)	
	00	01	10	11
P2	1"	3/4"1)	1"	3/4"

1) for 2.81 in³/rev. max.

2) for 7.69 in³/rev. max.

The largest cartridge must be always mounted in the front.

Seal class

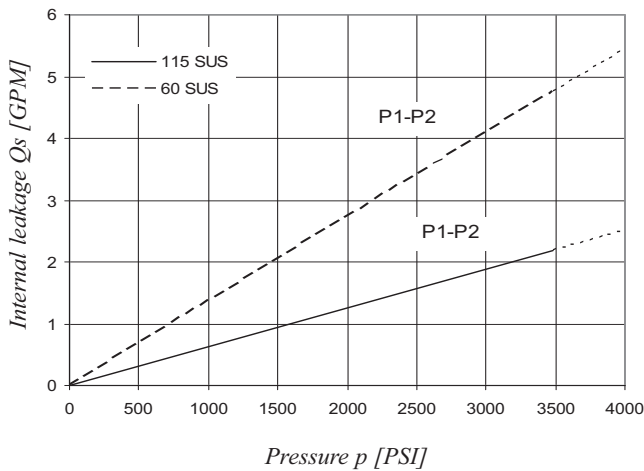
- 1 = S1 - BUNA N
- 4 = S4 - EPDM
- 5 = S5 - VITON

Design letter

Porting combination (see page 62)

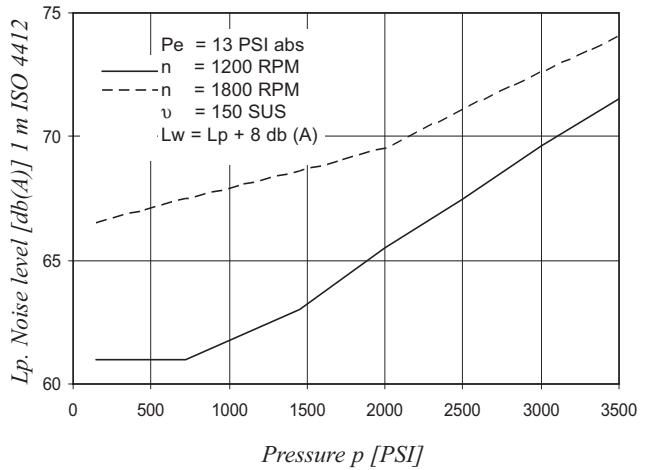
00 = standard

INTERNAL LEAKAGE (TYPICAL)



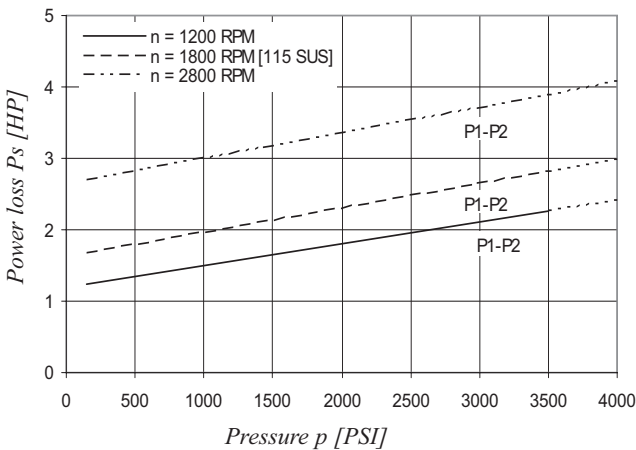
Do not operate pump more than 5 seconds at any speed or viscosity if internal leakage is higher than 50% of theoretical flow. Total leakage is the sum of each section loss at its operating conditions.

NOISE LEVEL (TYPICAL)
T6CC - 022 - 022



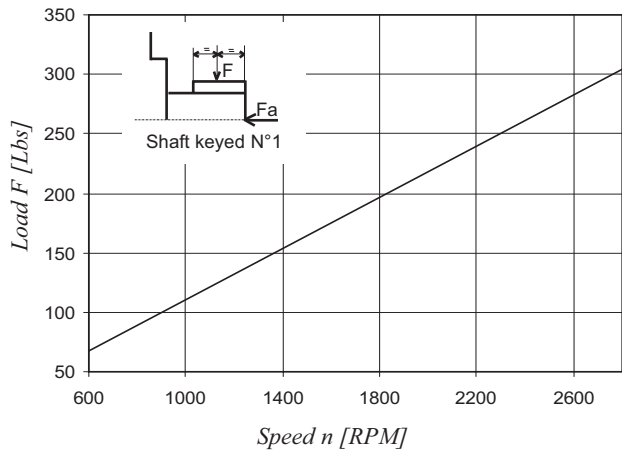
Double pump noise level is given with each section discharging at the pressure noted on the curve.

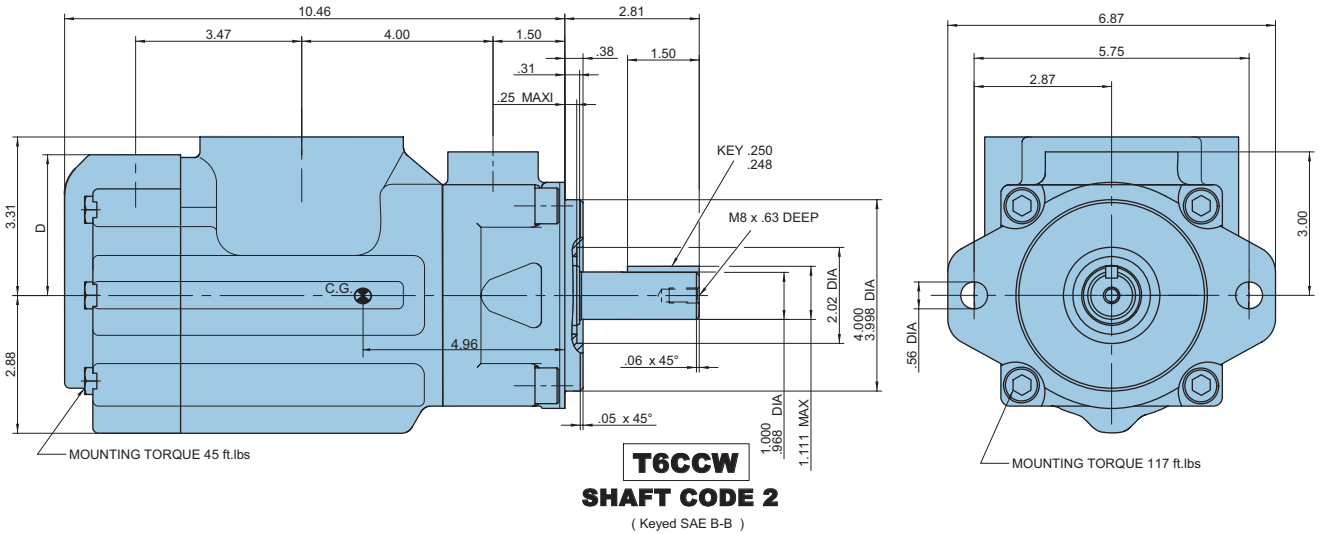
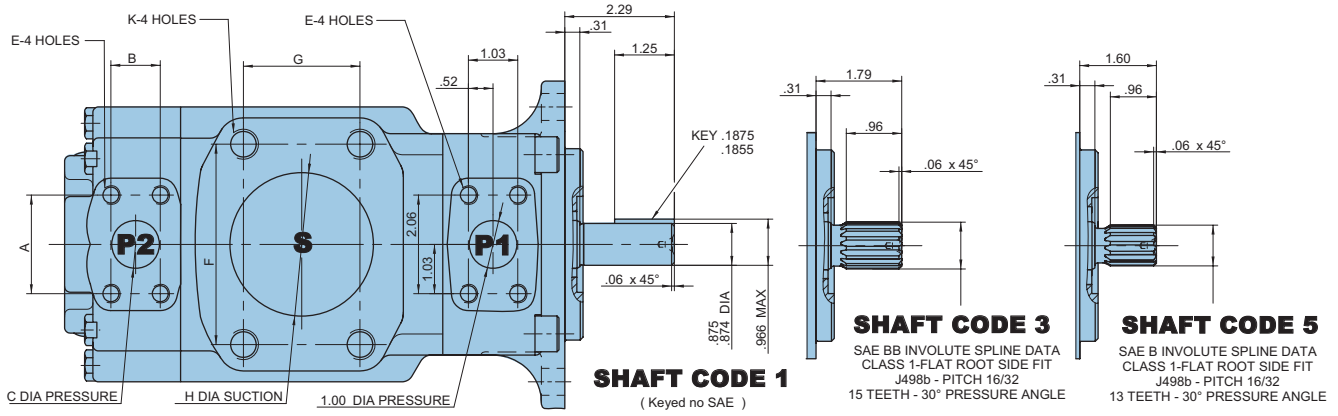
HYDROMECHANICAL POWER LOSS (TYPICAL)



Total hydromechanical power loss is the sum of each section at its operating conditions.

PERMISSIBLE RADIAL LOAD





Alternate ports								
	S = 3"				S = 2"1/2 ²⁾			
F	4.19				3.50			
G	2.44				2.00			
H DIA	3.00				2.50			
Code	00	01 ¹⁾	0M	W0 ¹⁾	10	11 ¹⁾	1M	W1 ¹⁾
A	2.06	1.88	2.06	1.88	2.06	1.88	2.06	1.88
B	1.03	.88	1.03	.88	1.03	.88	1.03	.88
C DIA	1.00	.75	1.00	.75	1.00	.75	1.00	.75
D	2.94	3.00	2.94	3.00	2.94	3.00	2.94	3.00
E	3/8" - 16 UNC x .75 deep		M10 x .75 deep		3/8" - 16 UNC - .75 deep		M10 x .75 deep	
K	5/8" - 11 UNC x 1.12 deep		M16 x 1.12 deep		1/2" - 13 UNC x .941 deep		M12 x .941 deep	

Shaft torque limits [in ³ /rev. x PSI]	
Shaft	Vi x p max.
1	12666
2	18972
3	28937
5	18246

¹⁾ Max. cam 014 ²⁾ P1 + P2 = 7.69 in³/rev max.

OPERATING CHARACTERISTICS - TYPICAL [115 SUS]

Pressure Port	Series	Volumetric Displacement Vi	Flow qVe [GPM] & n = 1800 RPM			Input power P [HP] & n = 1800 RPM		
			p = 0 PSI	p = 2000 PSI	p = 3500 PSI	p = 100 PSI	p = 2000 PSI	p = 3500 PSI
P1 & P2	003	.66 in ³ /rev	5.14	3.85	2.95	2.11	8.45	13.38
	005	1.05 in ³ /rev	8.18	6.86	5.99	2.29	12.00	19.59
	006	1.30 in ³ /rev	10.13	8.84	7.94	2.40	14.28	23.57
	008	1.61 in ³ /rev	12.55	11.26	10.36	2.54	17.11	28.53
	010	2.08 in ³ /rev	16.22	14.93	14.03	2.76	21.38	36.00
	012	2.26 in ³ /rev	17.64	16.35	15.45	2.84	23.05	38.92
	014	2.81 in ³ /rev	21.88	20.59	19.69	3.09	27.99	47.56
	017	3.56 in ³ /rev	27.73	26.44	25.54	3.43	34.81	59.51
	020	3.89 in ³ /rev	30.34	29.05	28.15	3.58	37.86	64.85
	022	4.29 in ³ /rev	33.43	32.14	31.24	3.76	41.47	71.16
	025	4.84 in ³ /rev	37.71	36.42	35.52	4.01	46.46	79.90
	028	5.42 in ³ /rev	42.23	40.94	40.32 ¹⁾	4.27	51.74	76.73 ¹⁾
	031	6.10 in ³ /rev	47.56	46.27	45.65 ¹⁾	4.58	57.95	86.06 ¹⁾

¹⁾ 028 - 031 = 3000 PSI max. int.

Model No.

T67CB W - 010 - B10 - 1 R 00 - A 1 - M1 - ..

Series - SAE B 2 bolts
Mounting flange J744

Severe duty shaft

Displacement for "P1"

Volumetric displacement (in³/rev)

003 = .66	017 = 3.56
005 = 1.05	020 = 3.89
006 = 1.30	022 = 4.29
008 = 1.61	025 = 4.84
010 = 2.08	028 = 5.42
012 = 2.26	031 = 6.10
014 = 2.81	

Displacement for "P2"

Volumetric displacement (in³/rev)

B02 = .35	B09 = 1.70
B03 = .60	B10 = 1.92
B04 = .78	B11 = 2.14
B05 = .97	B12 = 2.47
B06 = 1.20	B14 = 2.70
B07 = 1.37	B15 = 3.01
B08 = 1.51	

Type of shaft Severe duty shaft (T67CBW only)

- 1 = keyed (non SAE)
- 2 = keyed (SAE BB)
- 3 = splined (SAE BB)
- 5 = splined (SAE B)

Modifications

Mounting w/connection variables

- 11 = 4 bolts SAE flange (J518) UNC thread
- M1 = 4 bolts SAE flange (J518) Metric thread

Seal class

- 1 = S1 - BUNA N
- 4 = S4 - EPDM
- 5 = S5 - VITON

Design letter

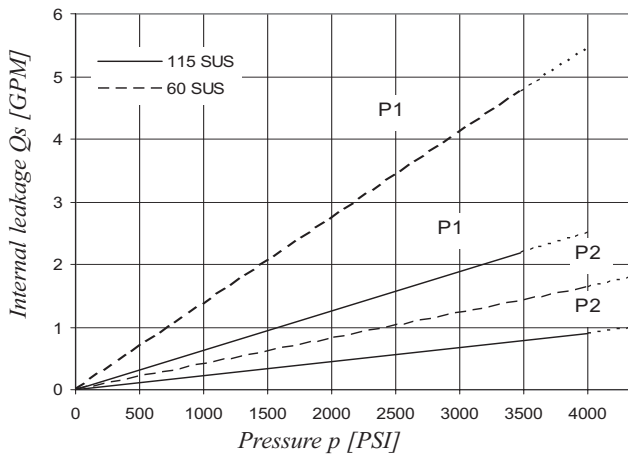
Porting combination (see page 62)

00 = standard

Direction of rotation (view on shaft end)

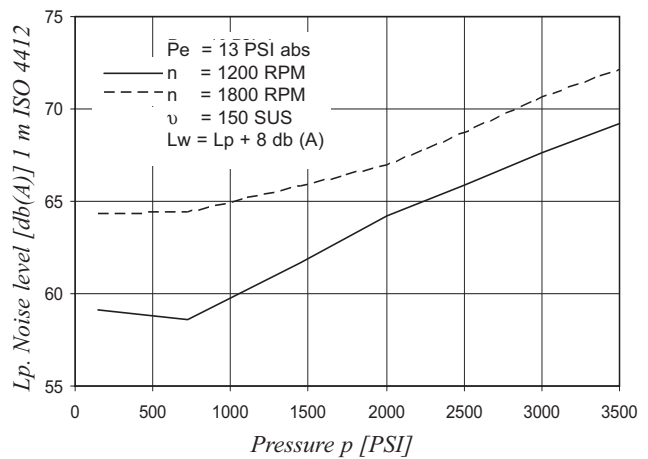
- R = Clockwise
- L = Counter-clockwise

INTERNAL LEAKAGE (TYPICAL)



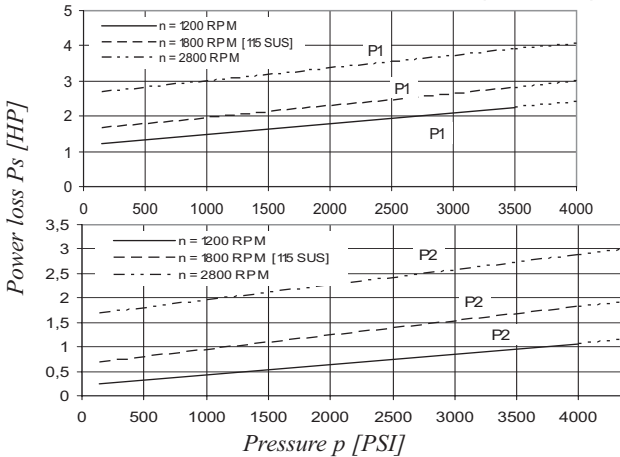
Do not operate pump more than 5 seconds at any speed or viscosity if internal leakage is higher than 50% of theoretical flow. Total leakage is the sum of each section loss at its operating conditions.

**NOISE LEVEL (TYPICAL)
T67CB - 014 - B03**



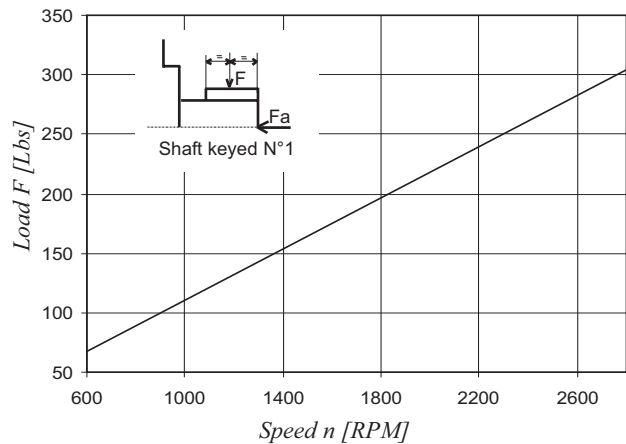
Double pump noise level is given with each section discharging at the pressure noted on the curve.

HYDROMECHANICAL POWER LOSS (TYPICAL)



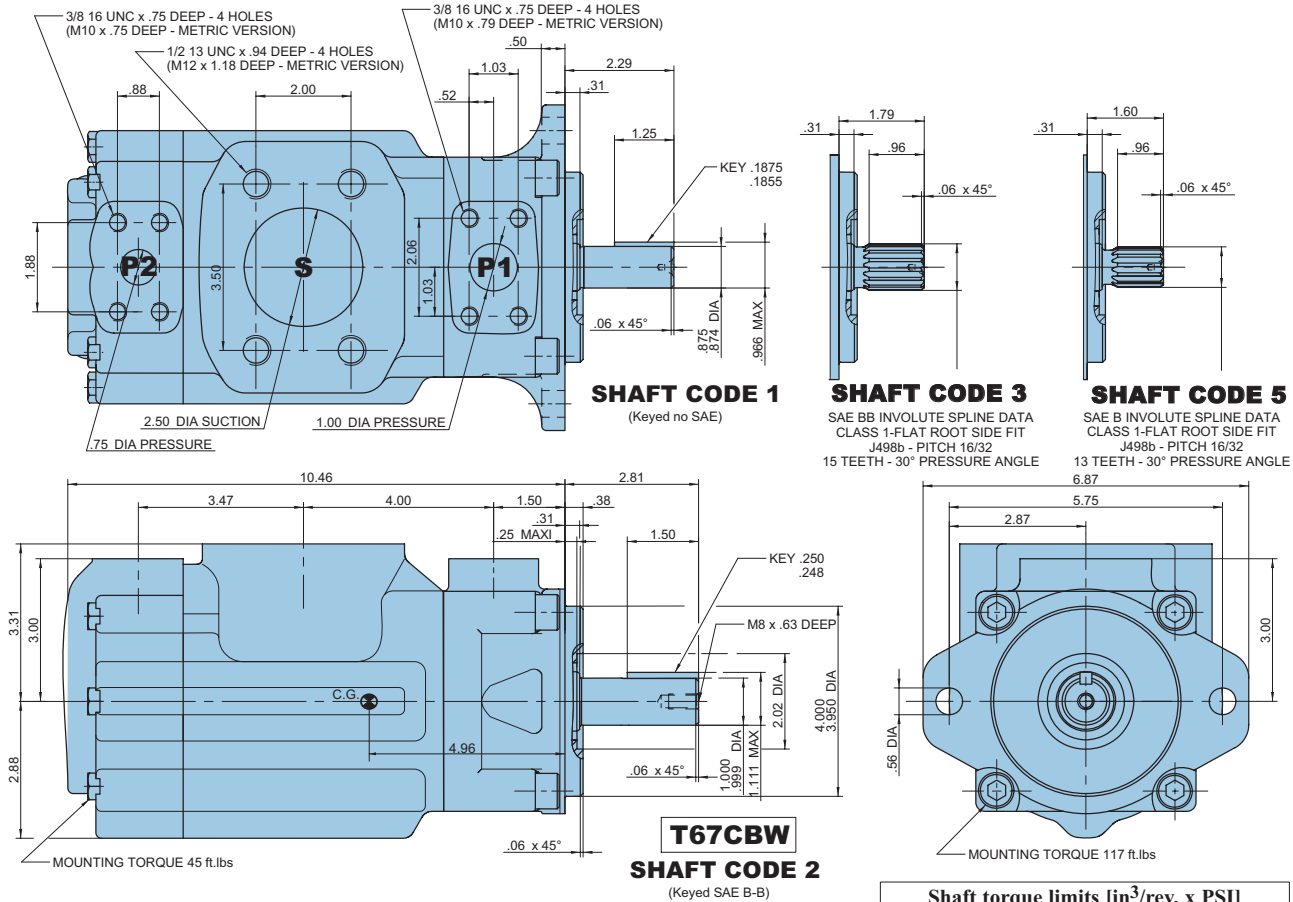
Total hydromechanical power loss is the sum of each section at its operating conditions.

PERMISSIBLE RADIAL LOAD



Maximum permissible axial load Fa = 180 Lbs

DIMENSIONS - Weight : 57.3 Lbs - T67CB SERIES



Shaft torque limits [in ³ /rev. x PSI]	
Shaft	Vi x p max.
1	12666
2	18972
3	28937
5	18246

OPERATING CHARACTERISTICS - TYPICAL [115 SUS]

Pressure Port	Series	Volumetric Displacement Vi	Flow qV _e [GPM] & n = 1800 RPM			Input power P [HP] & n = 1800 RPM		
			p = 0 PSI	p = 2000 PSI	p = 4000 PSI	p = 100 PSI	p = 2000 PSI	p = 3500 PSI
P1	003	.66 in ³ /rev	5.14	3.85	-	2.11	8.45	-
	005	1.05 in ³ /rev	8.18	6.86	5.68	2.29	12.00	19.81
	006	1.30 in ³ /rev	10.13	8.84	7.63	2.40	14.28	23.79
	008	1.61 in ³ /rev	12.55	11.26	10.05	2.54	17.11	28.75
	010	2.08 in ³ /rev	16.22	14.93	13.71	2.76	21.38	36.22
	012	2.26 in ³ /rev	17.64	16.35	15.14	2.84	23.05	39.14
	014	2.81 in ³ /rev	21.88	20.59	19.37	3.09	27.99	47.78
	017	3.56 in ³ /rev	27.73	26.44	25.22	3.43	34.81	59.73
	020	3.89 in ³ /rev	30.34	29.05	27.84	3.58	37.86	65.07
	022	4.29 in ³ /rev	33.43	32.14	30.93	3.76	41.47	71.38
	025	4.84 in ³ /rev	37.71	36.42	35.21	4.01	46.46	80.12
	028	5.42 in ³ /rev	42.23	40.94	40.32 ¹⁾	4.27	51.74	76.73 ¹⁾
	031	6.10 in ³ /rev	47.56	46.27	45.65 ¹⁾	4.58	57.95	86.06 ¹⁾
P2			p = 0 PSI	p = 2000 PSI	p = 4350 PSI	p = 100 PSI	p = 2000 PSI	p = 4350 PSI
	B02	.35 in ³ /rev	2.76	2.31	1.79	0.97	4.53	8.81
	B03	.60 in ³ /rev	4.66	4.21	3.69	1.08	6.78	13.64
	B04	.78 in ³ /rev	6.09	5.64	5.12	1.17	8.47	17.26
	B05	.97 in ³ /rev	7.56	7.11	6.60	1.25	10.22	21.00
	B06	1.20 in ³ /rev	9.32	8.87	8.36	1.36	12.30	25.46
	B07	1.37 in ³ /rev	10.70	10.25	9.73	1.44	13.93	28.96
	B08	1.51 in ³ /rev	11.79	11.34	10.83	1.50	15.23	31.74
	B09	1.70 in ³ /rev	13.27	12.82	12.30	1.59	16.97	35.48
	B10	1.92 in ³ /rev	14.98	14.53	14.01	1.69	19.00	39.83
	B11	2.14 in ³ /rev	16.64	16.19	15.68	1.79	20.97	44.05
	B12	2.47 in ³ /rev	19.26	18.81	18.29	1.95	24.07	50.69
	B14	2.70 in ³ /rev	21.02	20.57	20.05	2.05	26.16	55.15
	B15	3.01 in ³ /rev	23.49	23.04	22.59 ²⁾	2.20	29.08	57.39 ²⁾

- We do not recommend to use this 003 at 4000 PSI & 1500 RPM as the internal is over 50% of theoretical flow.
 1) 028 - 031 = 3000 PSI max. int. 2) B15 = 4060 PSI max. int.

Model No.

T7DB or T7DBS - B42 - B10 - 1 R 00 - A 1 M1 - ..

T7DB series - 125 A2 HW
ISO 2 bolts 3019-2 mounting flange

P1 P2

T7DBS series - SAE C 2 bolts
Mounting flange J744

Displacement for "P1"

Volumetric displacement (in³/rev.)

B14 = 2.64 B31 = 5.94
B17 = 3.30 B35 = 6.80
B20 = 3.95 B38 = 7.23
B22 = 4.29 B42 = 8.26
B24 = 4.86 045 = 8.89
B28 = 5.39 050 = 9.64

Displacement for "P2"

Volumetric displacement (in³/rev.)

B02 = .35 B09 = 1.70
B03 = .60 B10 = 1.92
B04 = .78 B11 = 2.14
B05 = .97 B12 = 2.47
B06 = 1.20 B14 = 2.70
B07 = 1.37 B15 = 3.01
B08 = 1.51

Type of shaft T7DBS

1 = keyed (SAE C) 3 = splined (SAE C)
2 = keyed (non SAE) 4 = splined (spec. SAE C)

Type of shaft T7DB - T7DBS

5 = keyed (ISO 3019-2 - G32M)

Modifications

Mounting w/connection variables

4 bolts SAE flanges J518

	Metric thread		UNC thread	
	T7DB - T7DBS	M1	T7DBS	01
P1	1 1/4"	1 1/4"	1 1/4"	1 1/4"
P2	1"	3/4"	1"	3/4"
S	3"	3"	3"	3"

Seal class

1 = S1 (for mineral oil)
4 = S4 (for the resistant fluid)
5 = S5 (for mineral oil and fire resistant fluids)

Design letter

Porting combination (see page 62)

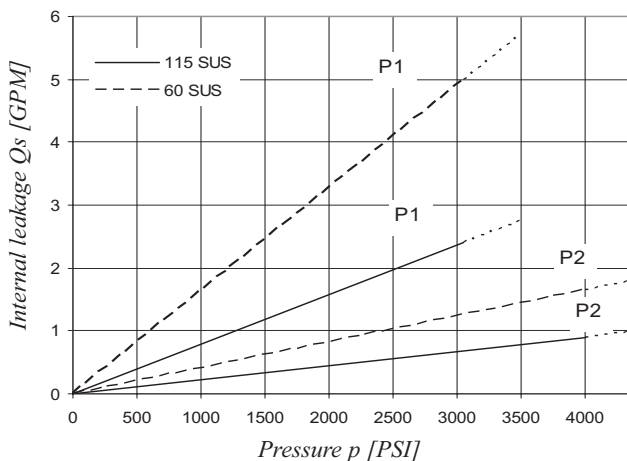
00 = standard

Direction of rotation (view on shaft end)

R = Clockwise

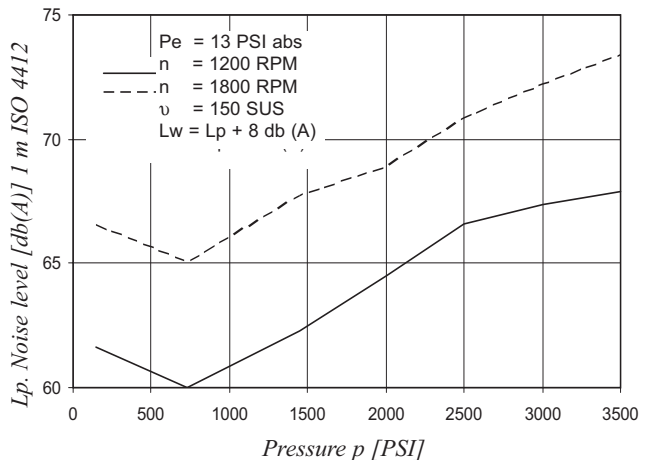
L = Counter-clockwise

INTERNAL LEAKAGE (TYPICAL)



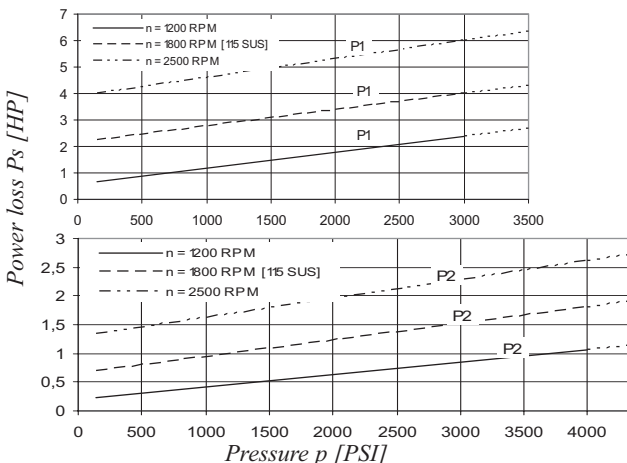
Do not operate pump more than 5 seconds at any speed or viscosity if internal leakage is higher than 50% of theoretical flow. Total leakage is the sum of each section loss at its operating conditions.

NOISE LEVEL (TYPICAL)
T7DBS - B31 - B10



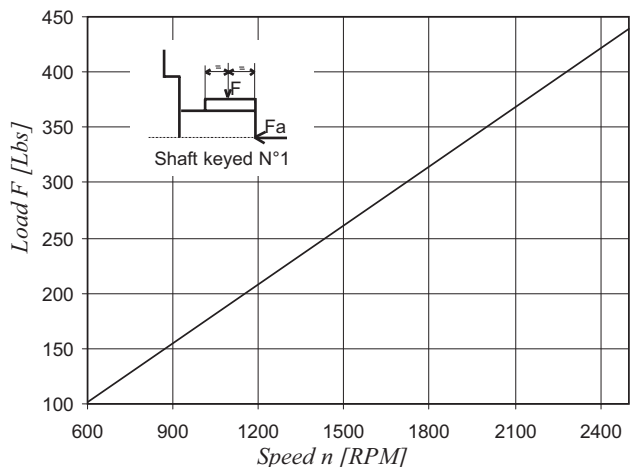
Double pump noise level is given with each section discharging at the pressure noted on the curve.

HYDROMECHANICAL POWER LOSS (TYPICAL)

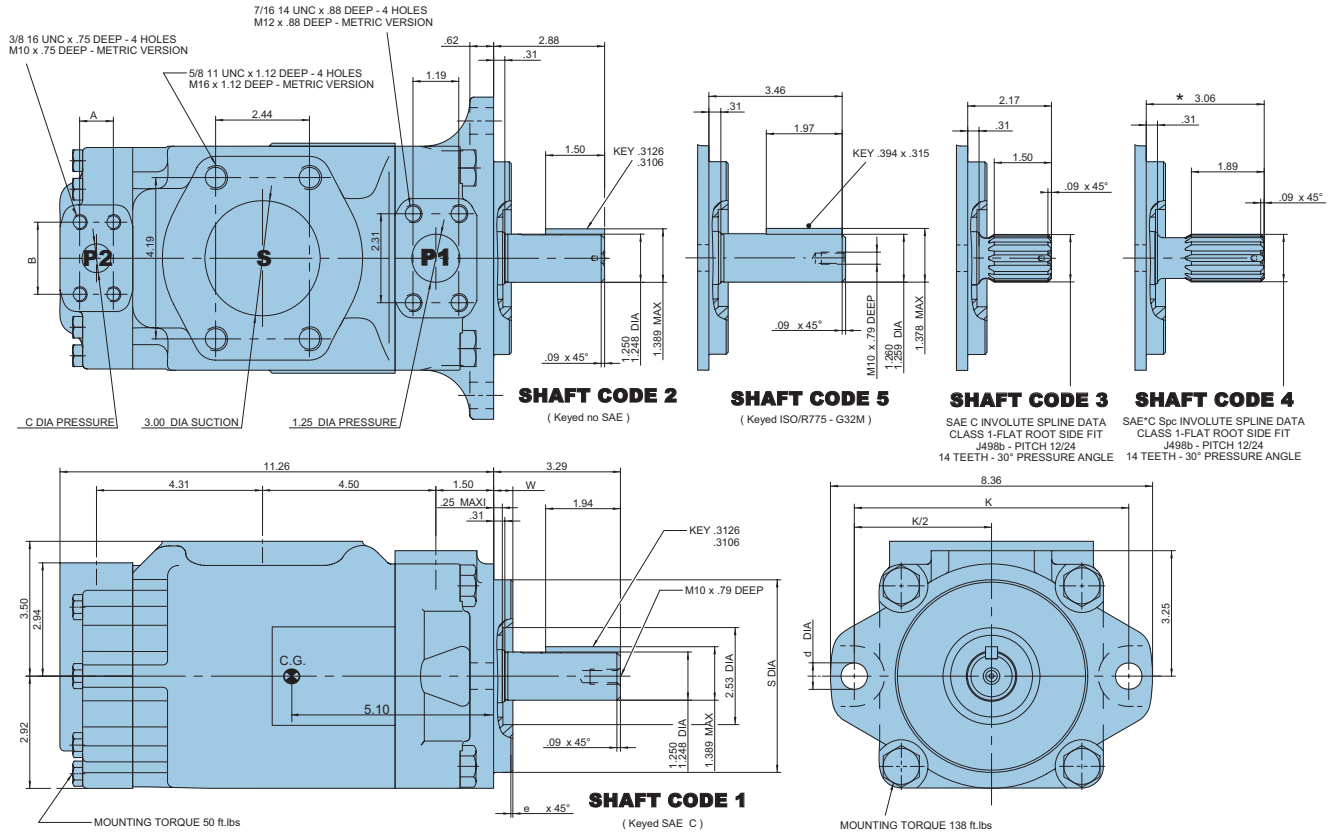


Total hydromechanical power loss is the sum of each section at its operating conditions.

PERMISSIBLE RADIAL LOAD



Maximum permissible axial load Fa = 270 Lbs



Alternate mounting flange						
Series	S Dia		e x 45°	W	K	d Dia
	Max.	Min.				
T7DB	4.921	4.919	.079	.374	7.087	.709
T7DBS	5.000	4.998	.051	.500	7.126	.689

Alternate connect. variables		
	00 & M0	01 & M1
A	1.03	.87
B	2.06	1.87
C	1.00	.75

Shaft torque limits [in ³ /rev. x PSI]	
Shaft	Vi x p max.
1	38299
2	30638
3	54207
4	54207
5	37644

OPERATING CHARACTERISTICS - TYPICAL [115 SUS]

Pressure port	Series	Volumetric Displacement Vi	Flow qVe [GPM] & n = 1800 RPM			Input power P [HP] & n = 1800 RPM		
			p = 0 PSI	P = 2000 PSI	P = 3630 PSI	p = 100 PSI	p = 2000 PSI	p = 3630 PSI
P1	B14	2.64 in ³ /rev	20.54	18.81	17.44	3.23	27.56	47.74
	B17	3.30 in ³ /rev	25.68	23.94	22.59	3.53	33.64	58.60
	B20	3.95 in ³ /rev	30.82	29.08	27.71	3.84	39.73	69.46
	B22	4.29 in ³ /rev	33.43	31.69	30.33	3.99	42.82	74.96
	B24	4.86 in ³ /rev	37.85	36.12	34.74	4.25	48.06	84.35
	B28	5.39 in ³ /rev	42.04	40.30	38.94	4.50	53.02	93.20
	B31	5.94 in ³ /rev	46.32	44.58	43.22	4.75	58.09	102.19
	B35	6.80 in ³ /rev	52.98	51.24	49.88	5.15	65.97	116.27
	B38	7.23 in ³ /rev	56.35	54.62	53.26	5.35	69.97	123.37
	B42	8.26 in ³ /rev	64.34	62.61	61.24	5.82	79.43	140.27
045	8.89 in ³ /rev	69.29	66.90	65.19 ¹⁾	6.65	85.16	144.19 ¹⁾	
050	9.64 in ³ /rev	75.14	72.75	71.56 ²⁾	7.00	92.09	136.87 ²⁾	
			p = 0 PSI	p = 2000 PSI	p = 4350 PSI	p = 100 PSI	p = 2000 PSI	p = 4350 PSI
P2	B02	.35 in ³ /rev	2.76	2.31	1.79	0.97	4.53	8.81
	B03	.60 in ³ /rev	4.66	4.21	3.69	1.08	6.78	13.64
	B04	.78 in ³ /rev	6.09	5.64	5.12	1.17	8.47	17.26
	B05	.97 in ³ /rev	7.56	7.11	6.60	1.25	10.22	21.00
	B06	1.20 in ³ /rev	9.32	8.87	8.36	1.36	12.30	25.46
	B07	1.37 in ³ /rev	10.70	10.25	9.73	1.44	13.93	28.96
	B08	1.51 in ³ /rev	11.79	11.34	10.83	1.50	15.23	31.74
	B09	1.70 in ³ /rev	13.27	12.82	12.30	1.59	16.97	35.48
	B10	1.92 in ³ /rev	14.98	14.53	14.01	1.69	19.00	39.83
	B11	2.14 in ³ /rev	16.64	16.19	15.68	1.79	20.97	44.05
	B12	2.47 in ³ /rev	19.26	18.81	18.29	1.95	24.07	50.69
	B14	2.70 in ³ /rev	21.02	20.57	20.05	2.05	26.16	55.15
	B15	3.01 in ³ /rev	23.49	23.04	22.59 ³⁾	2.20	29.08	57.39 ³⁾

1) 045 = 3500 PSI max. int. 2) 050 = 3000 PSI max. int. 3) B15 = 4060 PSI max. int.

Model No.

T67DC W - B42 - 010 - 1 R 00 - A 1 - M1 - ..

Series - SAE C 2 bolts
Mounting Flange J744

Severe duty shaft

Displacement for "P1"

Volumetric displacement (in³/rev)

B14 = 2.64 B31 = 5.94
B17 = 3.30 B35 = 6.80
B20 = 3.95 B38 = 7.23
B22 = 4.29 B42 = 8.26
B24 = 4.86 045 = 8.89
B28 = 5.39 050 = 9.64

Displacement for "P2"

Volumetric displacement (in³/rev)

003 = .66 017 = 3.56
005 = 1.05 020 = 3.89
006 = 1.30 022 = 4.29
008 = 1.61 025 = 4.84
010 = 2.08 028 = 5.42
012 = 2.26 031 = 6.10
014 = 2.81

Type of shaft

1 = keyed (SAE C) 3 = splined (SAE C)
2 = keyed (non SAE) 4 = splined (spec. SAE C)

Type of shaft - Severe duty (T67DCW only)

5 = keyed (non SAE)

Modifications

Mounting w/connection variables
4 bolts SAE flange J518

	Metric thread		UNC thread	
	M0	M1	00	01
P1	1 1/4"	1 1/4"	1 1/4"	1 1/4"
P2	1"	3/4"	1"	3/4"
S	3"	3"	3"	3"

Seal class

1 = S1 - BUNA N
4 = S4 - EPDM
5 = S5 - VITON

Design letter

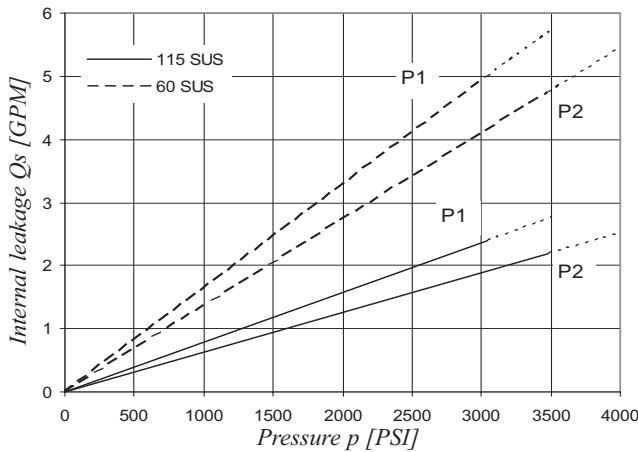
Porting combination (see page 62)

00 = standard

Direction of rotation (view on shaft end)

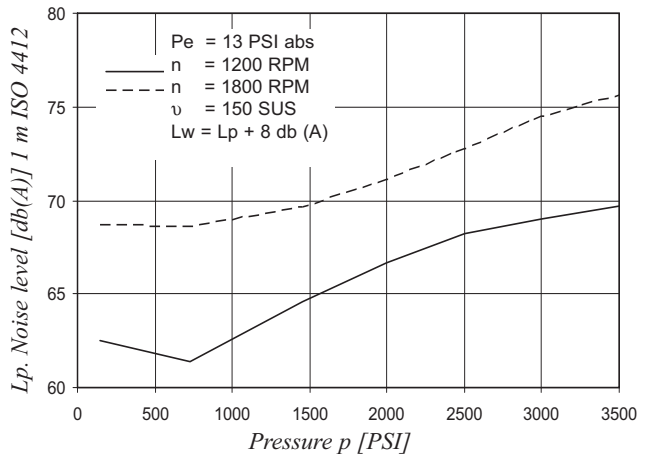
R = Clockwise
L = Counter-clockwise

INTERNAL LEAKAGE (TYPICAL)



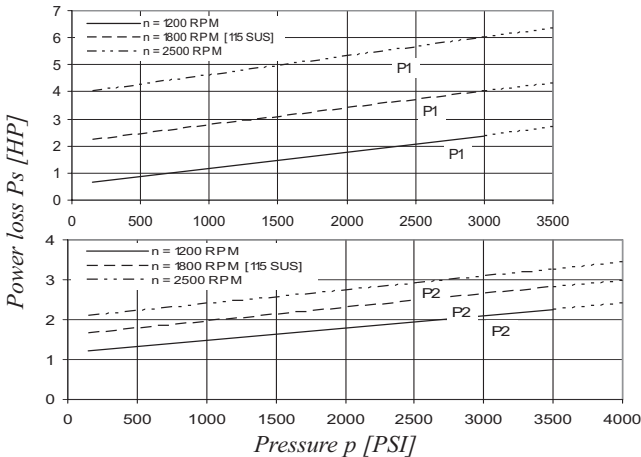
Do not operate pump more than 5 seconds at any speed or viscosity if internal leakage is higher than 50% of theoretical flow. Total leakage is the sum of each section loss at its operating conditions.

**NOISE LEVEL (TYPICAL)
T67DC - B31 - 022**



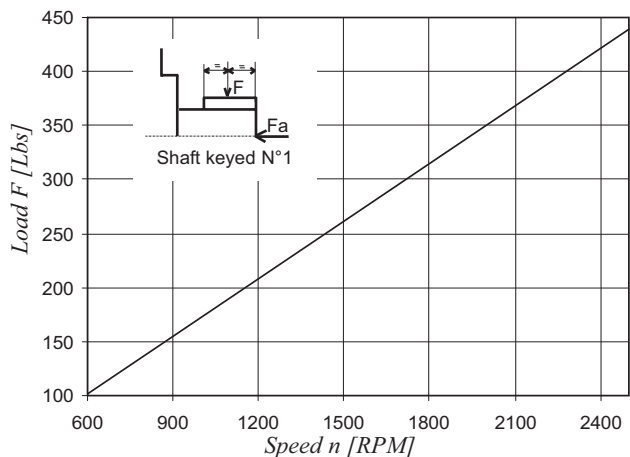
Double pump noise level is given with each section discharging at the pressure noted on the curve.

HYDROMECHANICAL POWER LOSS (TYPICAL)

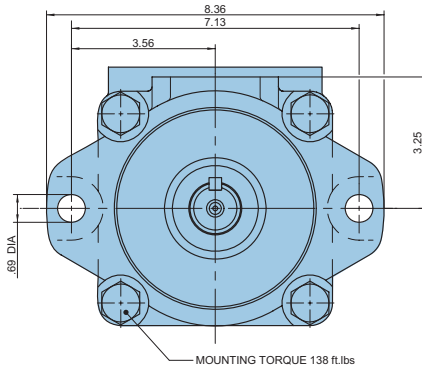
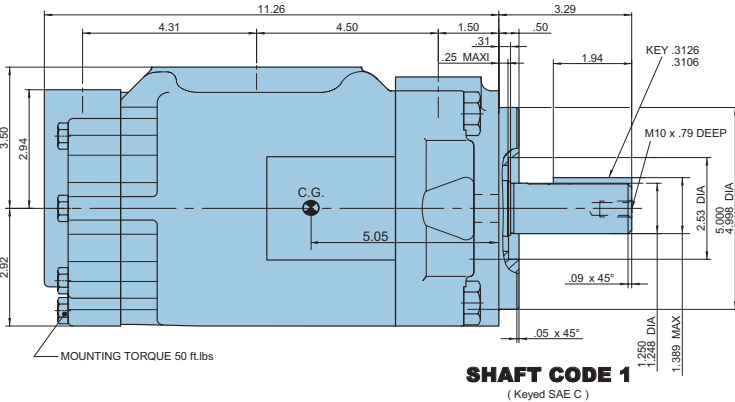
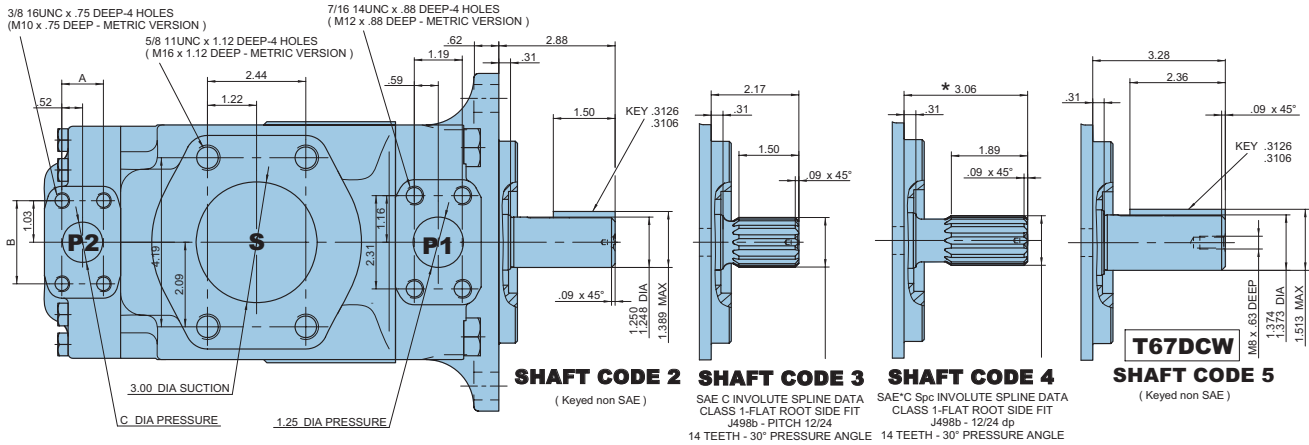


Total hydromechanical power loss is the sum of each section at its operating conditions.

PERMISSIBLE RADIAL LOAD



Maximum permissible axial load Fa = 270 Lbs



Alternate connect. variables	Shaft torque limits [in ³ /rev. x PSI]	
	00 & M0	01 & M1
A	1.03	.87
B	2.06	1.87
C	1.00	.75

Shaft	Vi x p max.
1	38299
2	30638
3	54207
4	54207
5	49247

OPERATING CHARACTERISTICS - TYPICAL [115 SUS]

Pressure port	Series	Volumetric Displacement Vi	Flow qVc [GPM] & n = 1800 RPM			Input power P [HP] & n = 1800 RPM		
			p = 0 PSI	P = 2000 PSI	P = 3630 PSI	p = 100 PSI	p = 2000 PSI	p = 3630 PSI
P1	B14	2.64 in ³ /rev	20.54	18.81	17.44	3.23	27.56	47.74
	B17	3.30 in ³ /rev	25.68	23.94	22.59	3.53	33.64	58.60
	B20	3.95 in ³ /rev	30.82	29.08	27.71	3.84	39.73	69.46
	B22	4.29 in ³ /rev	33.43	31.69	30.33	3.99	42.82	74.96
	B24	4.86 in ³ /rev	37.85	36.12	34.74	4.25	48.06	84.35
	B28	5.39 in ³ /rev	42.04	40.30	38.94	4.50	53.02	93.20
	B31	5.94 in ³ /rev	46.32	44.58	43.22	4.75	58.09	102.19
	B35	6.80 in ³ /rev	52.98	51.24	49.88	5.15	65.97	116.27
	B38	7.23 in ³ /rev	56.35	54.62	53.26	5.35	69.97	123.37
	B42	8.26 in ³ /rev	64.34	62.61	61.24	5.82	79.43	140.27
045	8.89 in ³ /rev	69.29	66.90	65.19 ¹⁾	6.65	85.16	144.19 ¹⁾	
050	9.64 in ³ /rev	75.14	72.75	71.56 ²⁾	7.00	92.09	136.87 ²⁾	
P2	003	.66 in ³ /rev	5.14	3.85	-	2.11	8.45	-
	005	1.05 in ³ /rev	8.18	6.86	5.68	2.29	12.00	19.81
	006	1.30 in ³ /rev	10.13	8.84	7.63	2.40	14.28	23.79
	008	1.61 in ³ /rev	12.55	11.26	10.05	2.54	17.11	28.75
	010	2.08 in ³ /rev	16.22	14.93	13.71	2.76	21.38	36.22
	012	2.26 in ³ /rev	17.64	16.35	15.14	2.84	23.05	39.14
	014	2.81 in ³ /rev	21.88	20.59	19.37	3.09	27.99	47.78
	017	3.56 in ³ /rev	27.73	26.44	25.22	3.43	34.81	59.73
	020	3.89 in ³ /rev	30.34	29.05	27.84	3.58	37.86	65.07
	022	4.29 in ³ /rev	33.43	32.14	30.93	3.76	41.47	71.38
	025	4.84 in ³ /rev	37.71	36.42	35.21	4.01	46.46	80.12
	028	5.42 in ³ /rev	42.23	40.94	40.32 ²⁾	4.27	51.74	76.73 ²⁾
	031	6.10 in ³ /rev	47.56	46.27	45.65 ²⁾	4.58	57.95	86.06 ²⁾

- We do not recommend to use this 003 at 4000 PSI & 1500 RPM as the internal leakage is over 50 % of theoretical flow.
 1) 045 = 3500 PSI max. int. 2) 050 - 028 - 031 = 3000 PSI max. int.

Model No.

T7DD or T7DDS - B42 - B22 - 1 R 00 - A 1 - M0 - ..

T7DD series - ISO 4 bolts 3019-2
Mounting flange 125-B4 HW

T7DDS series - SAE-C 6 bolts
Mounting flange J744

Displacement for "P1" & "P2"

Volumetric displacement (in³/rev)

B14 = 2.64 B31 = 5.94
B17 = 3.30 B35 = 6.80
B20 = 3.95 B38 = 7.23
B22 = 4.29 B42 = 8.26
B24 = 4.86 045 = 8.89
B28 = 5.39 050 = 9.64

Type of shaft - T7DD only

1 = keyed (SAE C)
2 = keyed (SAE CC)
3 = splined (SAE C)
4 = splined (SAE BB)

Type of shaft T7DD and T7DDS

5 = keyed (ISO 3019-2 - G32M)

Modifications

Mounting w/connection variables

4 bolts SAE flange J518

	P1 & P2 = 1"1/4 - S = 4"	
Type	UNC	Metric
T7DD		M0
T7DDS	00	M0

Seal class

1 = S1 (for mineral oil)
4 = S4 (for the resistant fluid)
5 = S5 (for mineral oil and fire resistant fluids)

Design letter

Porting combination (see page 62)

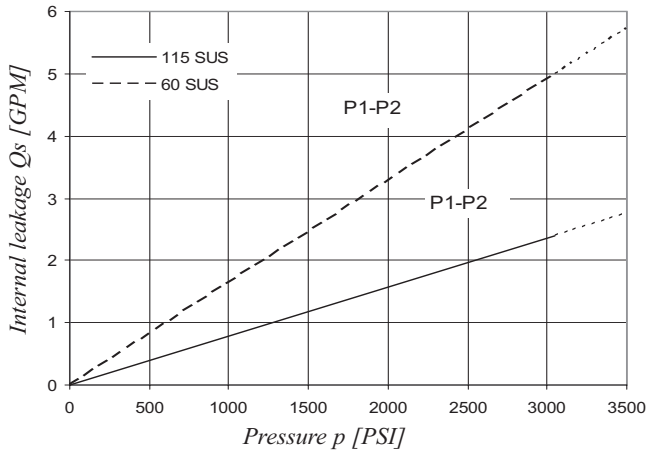
00 = standard

Direction of rotation (view on shaft end)

R = Clockwise

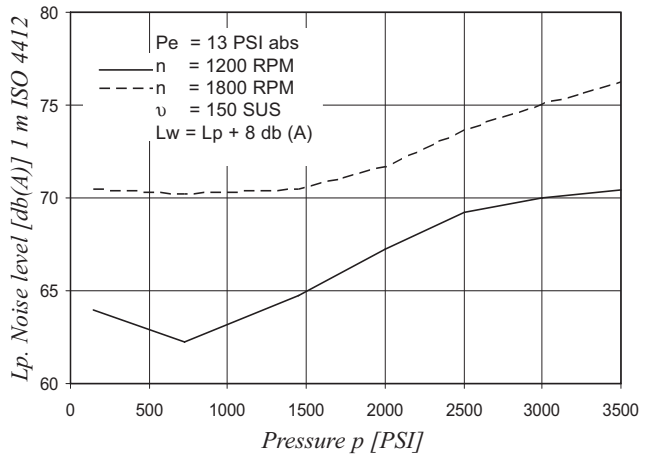
L = Counter-clockwise

INTERNAL LEAKAGE (TYPICAL)



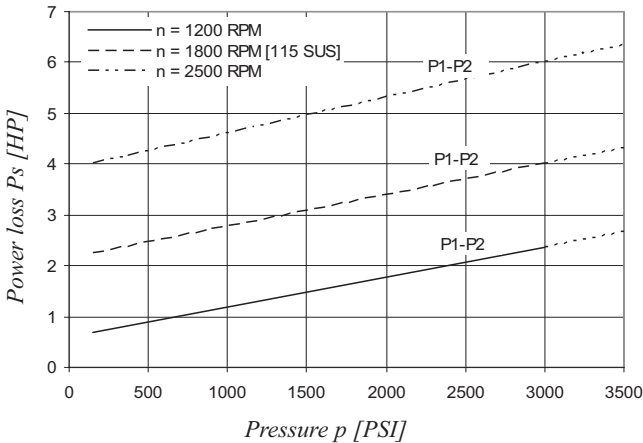
Do not operate pump more than 5 seconds at any speed or viscosity if internal leakage is higher than 50% of theoretical flow. Total leakage is the sum of each section loss at its operating conditions.

**NOISE LEVEL (TYPICAL)
T7DDS - B31 - B31**



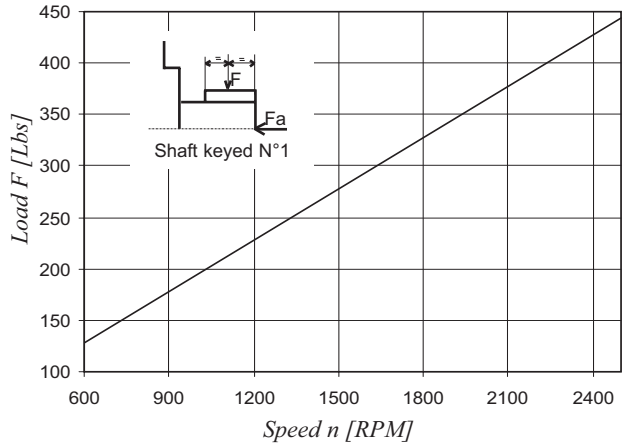
Double pump noise level is given with each section discharging at the pressure noted on the curve.

HYDROMECHANICAL POWER LOSS (TYPICAL)

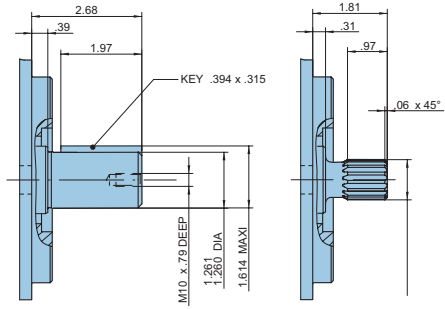
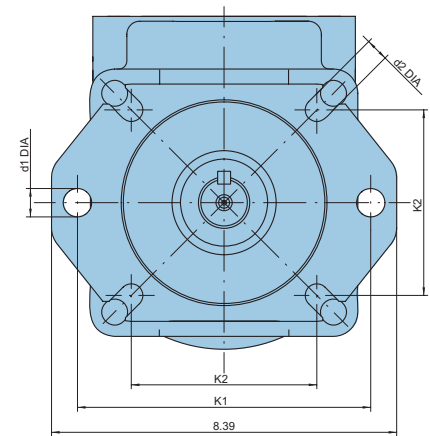
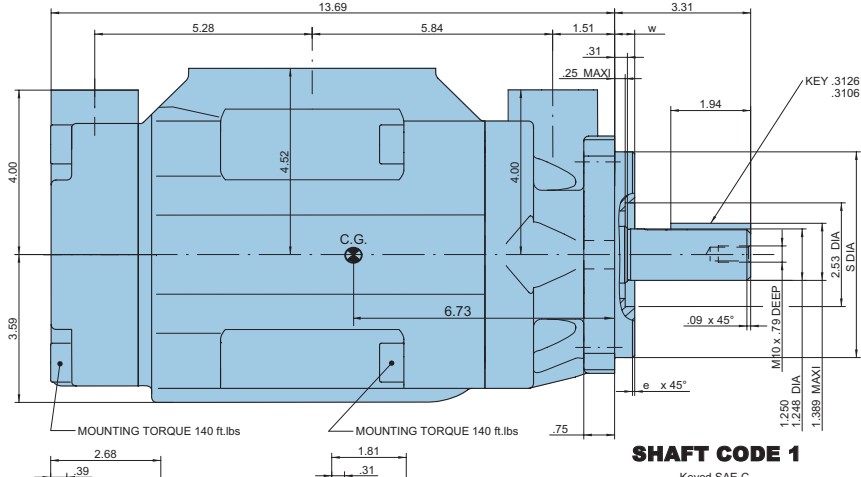
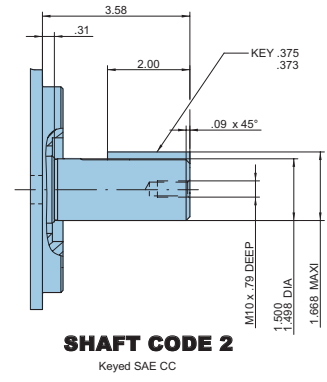
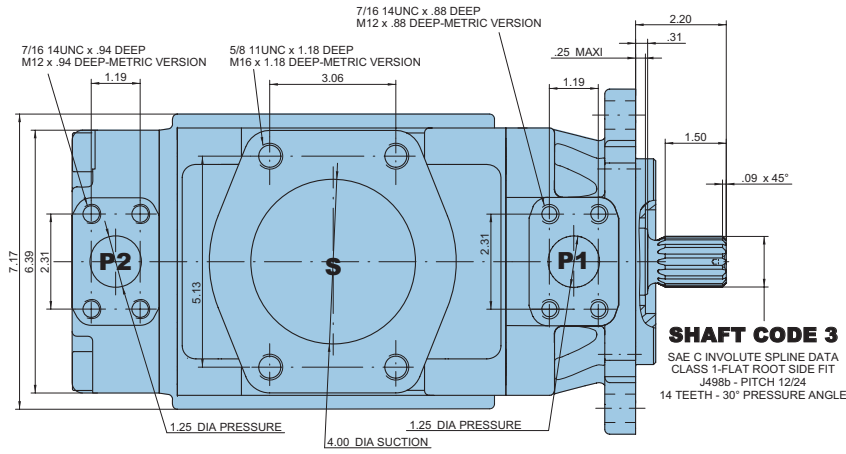


Total hydromechanical power loss is the sum of each section at its operating conditions.

PERMISSIBLE RADIAL LOAD



Maximum permissible axial load $F_a = 180$ Lbs



Shaft torque limits [in ³ /rev. x PSI]	
Shaft	Vi x p max.
1	38299
2	63552
3	54207
4	31780
5	40035

Series	Alternate mounting flange							
	S DIA		e x 45°	W	K1	d1 DIA	K2	d2 DIA
	Max.	Min.						
T7DD	4.921	4.919	.079	.374	7.087	.709	4.454	.551
T7DDS	5.000	4.998	.059	.500	7.126	.689	4.508	.563

OPERATING CHARACTERISTICS - TYPICAL [115 SUS]

Pressure port	Series	Volumetric Displacement Vi	Flow qVe [GPM] & n = 1800 RPM			Input power P [HP] & n = 1800 RPM		
			p = 0 PSI	P = 2000 PSI	P = 3630 PSI	p = 100 PSI	p = 2000 PSI	p = 3630 PSI
			P1 & P2	B14	2.64 in ³ /rev	20.54	18.81	17.44
B17	3.30 in ³ /rev	25.68		23.94	22.59	3.53	33.64	58.60
B20	3.95 in ³ /rev	30.82		29.08	27.71	3.84	39.73	69.46
B22	4.29 in ³ /rev	33.43		31.69	30.33	3.99	42.82	74.96
B24	4.86 in ³ /rev	37.85		36.12	34.74	4.25	48.06	84.35
B28	5.39 in ³ /rev	42.04		40.30	38.94	4.50	53.02	93.20
B31	5.94 in ³ /rev	46.32		44.58	43.22	4.75	58.09	102.19
B35	6.80 in ³ /rev	52.98		51.24	49.88	5.15	65.97	116.27
B38	7.23 in ³ /rev	56.35		54.62	53.26	5.35	69.97	123.37
B42	8.26 in ³ /rev	64.34		62.61	61.24	5.82	79.43	140.27
045	8.89 in ³ /rev	69.29		66.90	65.19 ¹⁾	6.65	85.16	144.19 ¹⁾
050	9.64 in ³ /rev	75.14		72.75	71.56 ²⁾	7.00	92.09	136.87 ²⁾

1) 045 = 3500 PSI max. int. 2) 050 = 3000 PSI max. int.

Model No.

T7EB - T7EBS - 042 - B12 - 1 R 00 - A 1 M1 - ..

T7EB series - ISO 4 bolts 3019-2
 Mounting flange 125-A2 HW
T7EBS series - SAE-C 2 bolts
 Mounting flange J744

Displacement for "P1"
 Volumetric displacement (in³/rev)
 042 = 8.07 057 = 11.18
 045 = 8.70 062 = 12.00
 050 = 9.67 066 = 13.00
 052 = 10.00 072 = 13.86
 054 = 10.43 085 = 16.40

Displacement for "P2"
 Volumetric displacement (in³/rev)
 B02 = .35 B09 = 1.70
 B03 = .60 B10 = 1.92
 B04 = .78 B11 = 2.14
 B05 = .97 B12 = 2.47
 B06 = 1.20 B14 = 2.70
 B07 = 1.37 B15 = 3.01
 B08 = 1.51

Type of shaft T7EB and T7EBS
 5 = keyed (ISO/R 775 - G38M)

Type of shaft T7EBS
 1 = keyed (SAE CC) 3 = splined (SAE C)
 2 = keyed (non SAE) 4 = splined (SAE CC)

Modifications

Mounting w/connection variables
 4 bolts SAE flange J518

P1 = 1"1/2 - P2 = 3/4" - S = 3"1/2

	T7EBS	T7EB - T7EBS
Type	UNC	Metric
Code	01	M1

Seal class

1 = S1 (for mineral oil)
 4 = S4 (for the resistant fluid)
 5 = S5 (for mineral oil and fire resistant fluids)

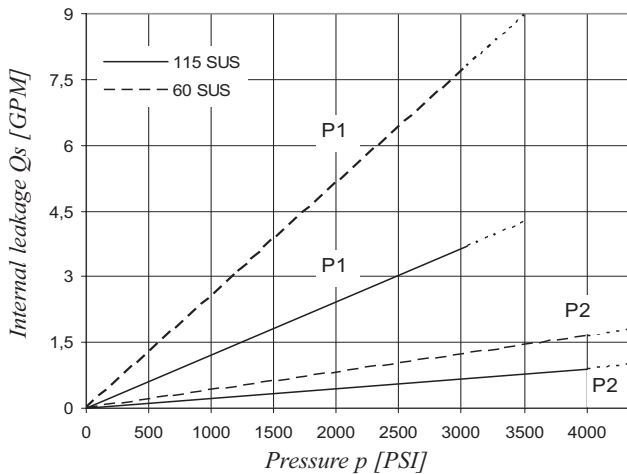
Design letter

Porting combination (see page 62)
 00 = standard

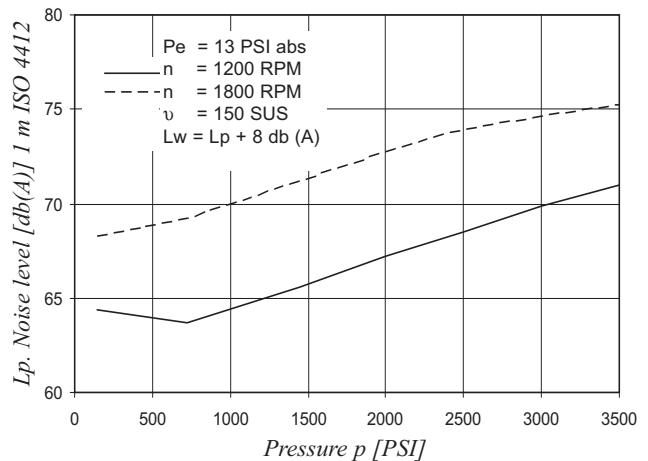
Direction of rotation (view on shaft end)

R = Clockwise
 L = Counter-clockwise

INTERNAL LEAKAGE (TYPICAL)



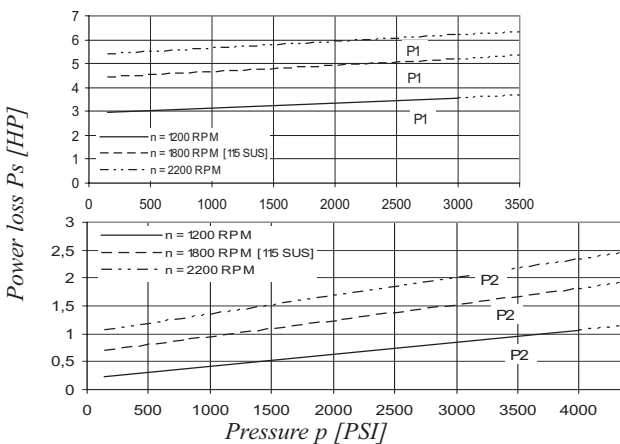
**NOISE LEVEL (TYPICAL)
 T7EBS 050 - B03**



Do not operate pump more than 5 seconds at any speed or viscosity if internal leakage is higher than 50% of theoretical flow. Total leakage is the sum of each section loss at its operating conditions.

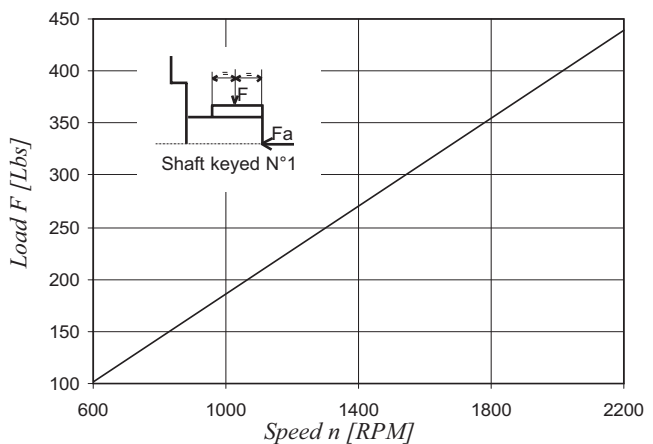
Double pump noise level is given with each section discharging at the pressure noted on the curve.

HYDROMECHANICAL POWER LOSS (TYPICAL)

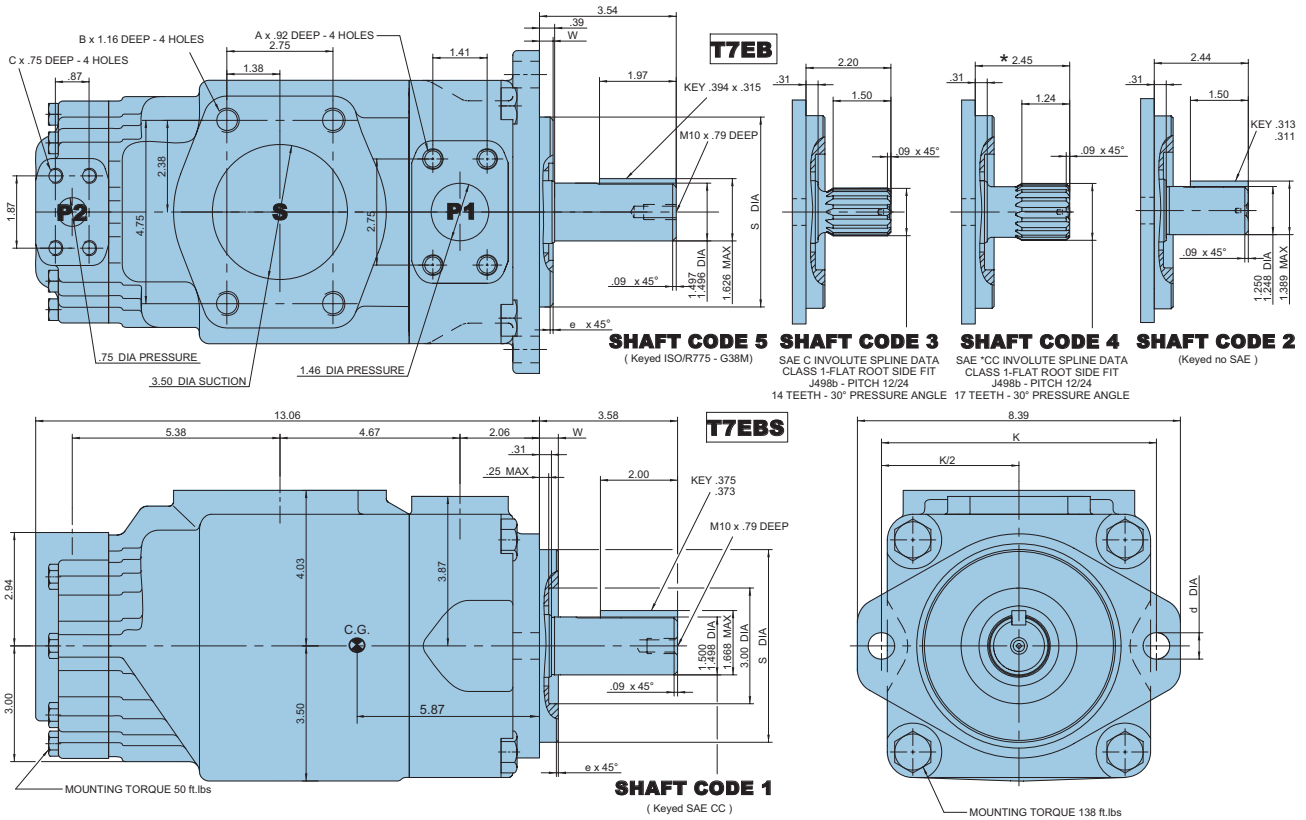


Total hydromechanical power loss is the sum of each section at its operating conditions.

PERMISSIBLE RADIAL LOAD



Maximum permissible axial load Fa = 449 Lbs



Alternate mounting flange						
Series	S Dia		e x 45°	W	K	D Dia
	Max.	Min.				
T7EB	4.921	4.919	.079	.374	7.087	.709
T7EBS	5.000	4.998	.051	.500	7.126	.689

Alternate connect. variables		
	01	M1
A	1/2 - 13 UNC	M12
B	5/8 - 11 UNC	M16
C	3/8 - 16 UNC	M10

Shaft torque limits [in ³ /rev. x bar]	
Shaft	Vi x p max.
1	60673
2	30638
3	54207
4	60673
5	60673

OPERATING CHARACTERISTICS - TYPICAL [115 SUS]

Pressure port	Series	Volumetric Displacement Vi	Flow qVe [GPM] & n = 1800 RPM			Input power P [HP] & n = 1800 RPM		
			p = 0 PSI	P = 2000 PSI	P = 3500 PSI	p = 100 PSI	p = 2000 PSI	p = 3500 PSI
P1	042	8.07 in ³ /rev	62.92	60.37	58.52	8.09	78.44	133.80
	045	8.70 in ³ /rev	67.72	65.17	63.32	8.37	84.04	143.60
	050	9.67 in ³ /rev	75.38	72.83	70.98	8.82	92.97	159.24
	052	10.00 in ³ /rev	78.37	75.82	73.97	8.99	96.47	165.36
	054	10.43 in ³ /rev	81.27	78.72	76.87	9.17	99.75	177.46
	057	11.18 in ³ /rev	87.12	84.57	82.72	9.51	106.57	189.84
	062	12.00 in ³ /rev	93.54	90.99	89.14	9.88	114.17	196.34
	066	13.00 in ³ /rev	101.44	98.89	97.04	10.34	123.38	212.46
	072	13.86 in ³ /rev	108.00	105.45	103.60	10.72	131.04	225.86
085	16.40 in ³ /rev	127.79	126.13 ¹⁾	-	11.88	101.66 ¹⁾	-	
P2			p = 0 PSI	p = 2000 PSI	p = 4350 PSI	p = 100 PSI	p = 2000 PSI	p = 4350 PSI
	B02	.35 in ³ /rev	2.76	2.31	1.79	0.97	4.53	8.81
	B03	.60 in ³ /rev	4.66	4.21	3.69	1.08	6.78	13.64
	B04	.78 in ³ /rev	6.09	5.64	5.12	1.17	8.47	17.26
	B05	.97 in ³ /rev	7.56	7.11	6.60	1.25	10.22	21.00
	B06	1.20 in ³ /rev	9.32	8.87	8.36	1.36	12.30	25.46
	B07	1.37 in ³ /rev	10.70	10.25	9.73	1.44	13.93	28.96
	B08	1.51 in ³ /rev	11.79	11.34	10.83	1.50	15.23	31.74
	B09	1.70 in ³ /rev	13.27	12.82	12.30	1.59	16.97	35.48
	B10	1.92 in ³ /rev	14.98	14.53	14.01	1.69	19.00	39.83
	B11	2.14 in ³ /rev	16.64	16.19	15.68	1.79	20.97	44.05
	B12	2.47 in ³ /rev	19.26	18.81	18.29	1.95	24.07	50.69
	B14	2.70 in ³ /rev	21.02	20.57	20.05	2.05	26.16	55.15
	B15	3.01 in ³ /rev	23.49	23.04	22.59 ²⁾	2.20	29.08	57.39 ²⁾

1) 085 = 1300 PSI max. int. 2) B15 = 4060 PSI max. int.

Model No.

T67EC - 085 - 020 - 1 R 00 - A 1 00 - ..

Series SAE-C 2 bolts
Mounting flange J744

Displacement for "P1"
Volumetric displacement (in³/rev)
042 = 8.07 057 = 11.18
045 = 8.70 062 = 12.00
050 = 9.67 066 = 13.00
052 = 10.00 072 = 13.86
054 = 10.43 085 = 16.40

Displacement for "P2"
Volumetric displacement (in³/rev)
003 = .66 017 = 3.56
005 = 1.05 020 = 3.89
006 = 1.30 022 = 4.29
008 = 1.61 025 = 4.84
010 = 2.08 028 = 5.42
012 = 2.26 031 = 6.10
014 = 2.81

Type of shaft
1 = keyed (SAE CC)
2 = keyed (non SAE)
3 = splined (SAE C)
4 = splined (SAE CC)

Modifications

Mounting w/connection variables
4 bolts SAE flange J518

	Metric thread		UNC thread	
	M0	M1	00	01
P1	1 1/2"	1 1/2"	1 1/2"	1 1/2"
P2	1"	3/4"	1"	3/4"
S	3 1/2"	3 1/2"	3 1/2"	3 1/2"

Seal class

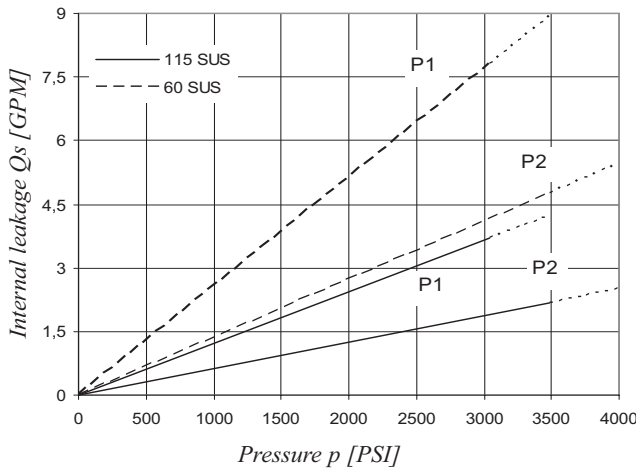
1 = S1 (for mineral oil)
4 = S4 (for the resistant fluid)
5 = S5 (for mineral oil and fire resistant fluids)

Design letter

Porting combination (see page 62)
00 = standard

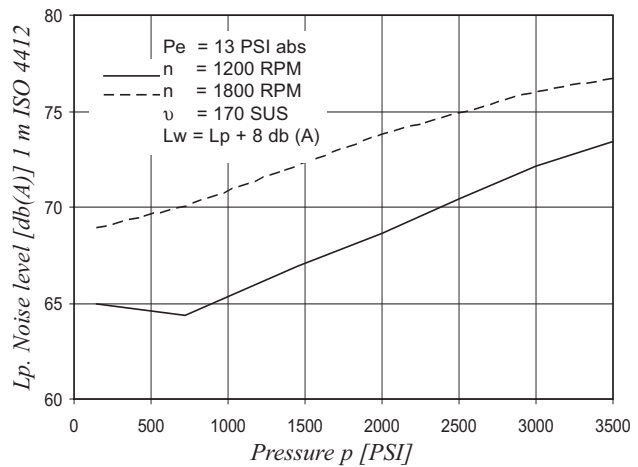
Direction of rotation (view on shaft end)
R = Clockwise
L = Counter-clockwise

INTERNAL LEAKAGE (TYPICAL)



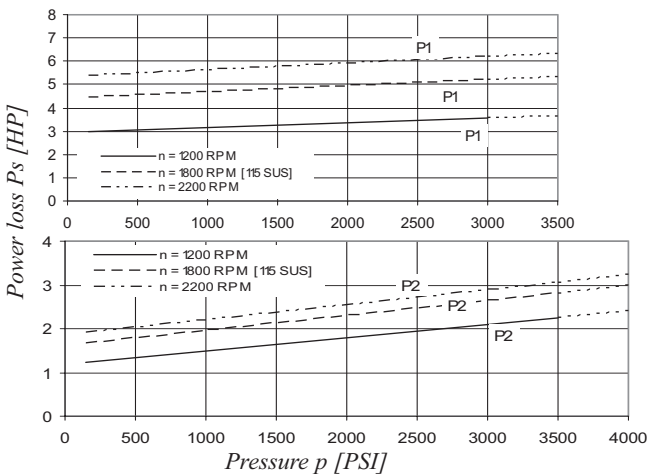
Do not operate pump more than 5 seconds at any speed or viscosity if internal leakage is higher than 50% of theoretical flow. Total leakage is the sum of each section loss at its operating conditions.

NOISE LEVEL (TYPICAL)
T67EC - 050 - 022



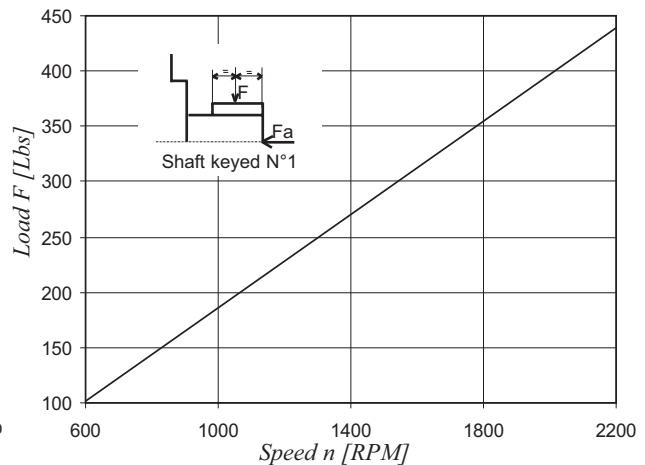
Double pump noise level is given with each section discharging at the pressure noted on the curve.

HYDROMECHANICAL POWER LOSS (TYPICAL)



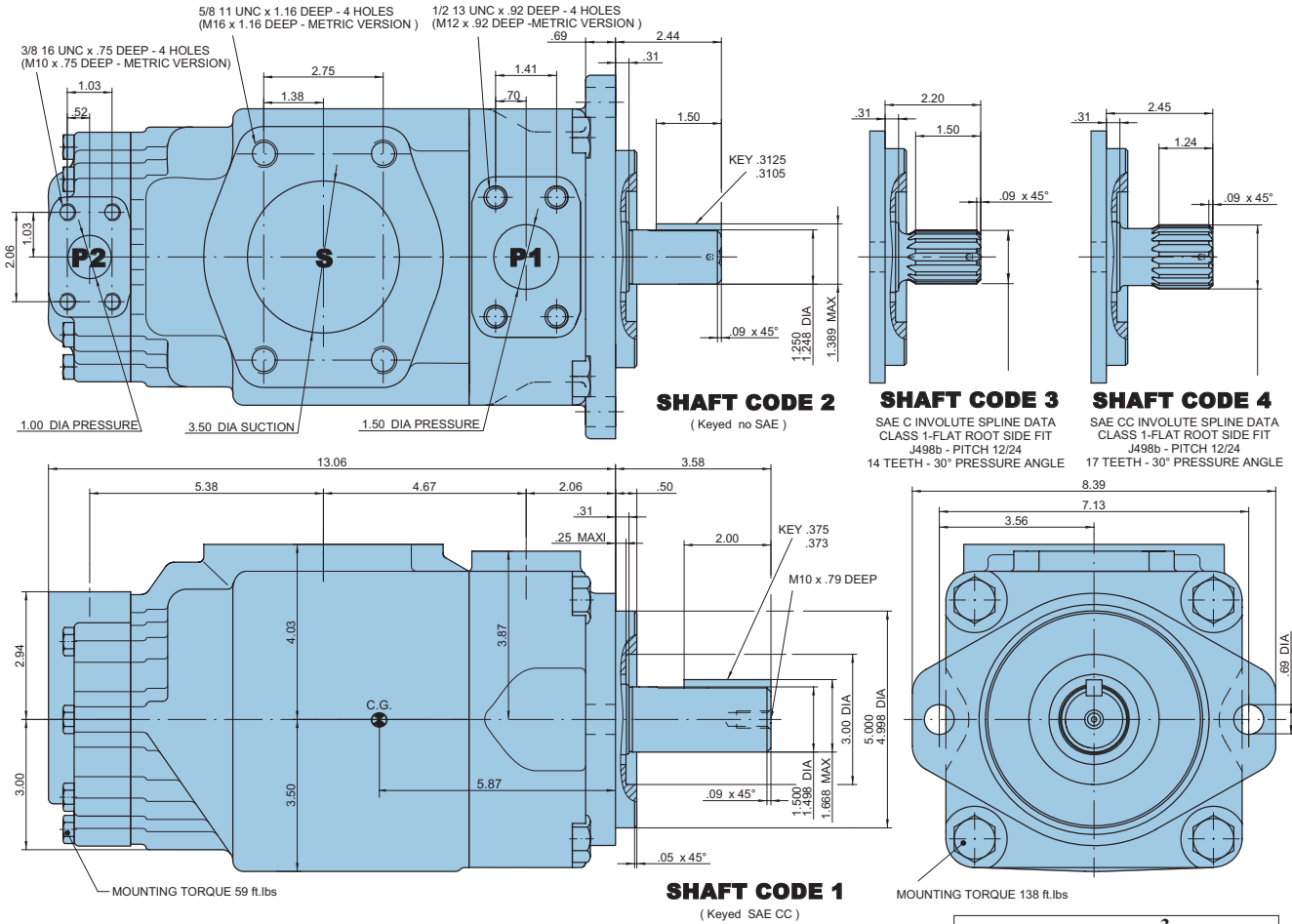
Total hydromechanical power loss is the sum of each section at its operating conditions.

PERMISSIBLE RADIAL LOAD



Maximum permissible axial load Fa = 449 Lbs

DIMENSIONS & OPERATING CHARACTERISTICS - Weight : 121.2 Lbs - T67EC SERIES



Shaft torque limits [in ³ /rev. x PSI]	
Shaft	Vi x p max.
1	64039
2	30638
3	54207
4	67582

OPERATING CHARACTERISTICS – TYPICAL [115 SUS]

Pressure port	Series	Volumetric displacem. Vi	Flow q _{ve} [GPM] & n = 1800 RPM			Input power P [HP] & n = 1800 RPM		
			p = 0 PSI	p = 2000 PSI	p = 3500 PSI	p = 100 PSI	p = 2000 PSI	p = 3500 PSI
P1	042	8.07 in ³ /rev	62.92	60.37	58.52	8.09	78.44	133.80
	045	8.70 in ³ /rev	67.72	65.17	63.32	8.37	84.04	143.60
	050	9.67 in ³ /rev	75.38	72.83	70.98	8.82	92.97	159.24
	052	10.00 in ³ /rev	78.37	75.82	73.97	8.99	96.47	165.36
	054	10.43 in ³ /rev	81.27	78.72	76.87	9.17	99.75	177.46
	057	11.18 in ³ /rev	87.12	84.57	82.72	9.51	106.57	189.84
	062	12.00 in ³ /rev	93.54	90.99	89.14	9.88	114.17	196.34
	066	13.00 in ³ /rev	101.44	98.89	97.04	10.34	123.38	212.46
	072	13.86 in ³ /rev	108.00	105.45	103.60	10.72	131.04	225.86
085	16.40 in ³ /rev	127.79	126.13 ¹⁾	-	11.88	101.66 ¹⁾	-	
P2			p = 0 PSI	p = 2000 PSI	p = 4000 PSI	p = 100 PSI	p = 2000 PSI	p = 4000 PSI
	003	.66 in ³ /rev	5.14	3.85	-	2.11	8.45	-
	005	1.05 in ³ /rev	8.18	6.89	5.68	2.29	12.00	19.81
	006	1.30 in ³ /rev	10.13	8.84	7.63	2.40	14.28	23.79
	008	1.61 in ³ /rev	12.55	11.26	10.05	2.54	17.11	28.75
	010	2.08 in ³ /rev	16.22	14.93	13.71	2.76	21.38	36.22
	012	2.26 in ³ /rev	17.64	16.35	15.14	2.84	23.05	39.14
	014	2.81 in ³ /rev	21.88	20.59	19.37	3.09	27.99	47.78
	017	3.56 in ³ /rev	27.73	26.44	25.22	3.43	34.81	59.73
	020	3.89 in ³ /rev	30.34	29.05	27.84	3.58	37.86	65.07
	022	4.29 in ³ /rev	33.43	32.14	30.93	3.76	41.47	71.38
	025	4.84 in ³ /rev	37.71	36.42	35.21	4.01	46.46	80.12
	028	5.42 in ³ /rev	42.23	40.94	40.32 ²⁾	4.27	51.74	76.73 ²⁾
031	6.10 in ³ /rev	47.56	46.27	45.65 ²⁾	4.58	57.95	86.06 ²⁾	

- We do not recommend to use this 003 at 4000 PSI & 1500 RPM as the internal leakage is over 50% of theoretical flow.

1) 085 = 1300 PSI max. int. 2) 028 - 031 = 3000 PSI max.

Model No.

T7ED or T7EDS - 042 - B22 - 1 R 00 - A 1 - M0 - ..

T7ED series - 125 A2 HW
ISO 2 bolts 3019-2 mounting flange

P1 P2

T7EDS series - SAE C 2 bolts
Mounting flange J744

Displacement for "P1"

Volumetric displacement (in³/rev)

042 = 8.07 057 = 11.18
045 = 8.70 062 = 12.00
050 = 9.67 066 = 13.00
052 = 10.00 072 = 13.86
054 = 10.43 085 = 16.40

Displacement for "P2"

Volumetric displacement (in³/rev)

B14 = 2.64 B31 = 5.94
B17 = 3.30 B35 = 6.80
B20 = 3.95 B38 = 7.23
B22 = 4.29 B42 = 8.26
B24 = 4.86 045 = 8.89
B28 = 5.39 050 = 9.64

Type of shaft T7ED - T7EDS

5 = keyed (ISO R775 - G38M)

Type of shaft T7EDS

1 = keyed (SAE CC) 3 = splined (SAE C)
2 = keyed (non SAE) 4 = splined (SAE CC)

Modifications

Mounting w/connection variables
4 bolts SAE flange J518

	P1 = 1"1/2 - P2 = 1"1/4 - S = 4"	
Type	T7EDS	T7ED - T7EDS
Code	UNC	Metric
	00	M0

Seal class

1 = S1 (for mineral oil)
4 = S4 (for the resistant fluid)
5 = S5 (for mineral oil and fire resistant fluids)

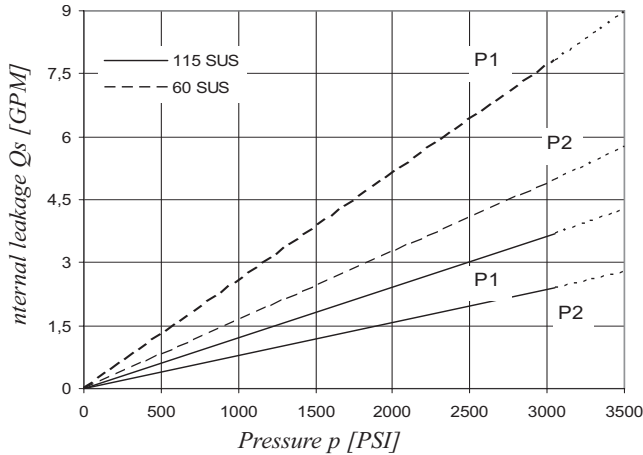
Design letter

Porting combination (see page 62)
00 = standard

Direction of rotation (view on shaft end)

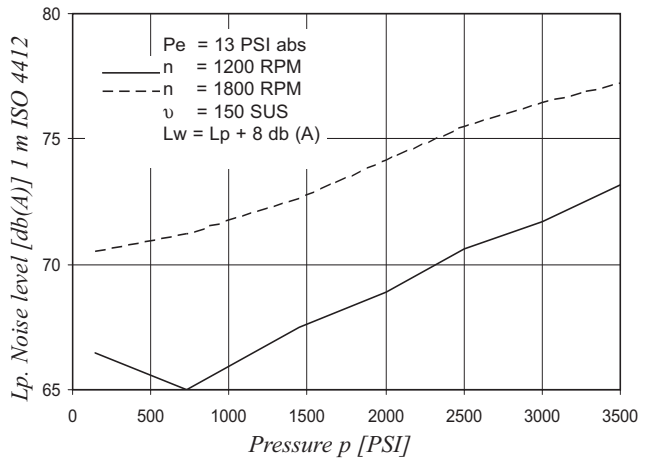
R = Clockwise
L = Counter-clockwise

INTERNAL LEAKAGE (TYPICAL)



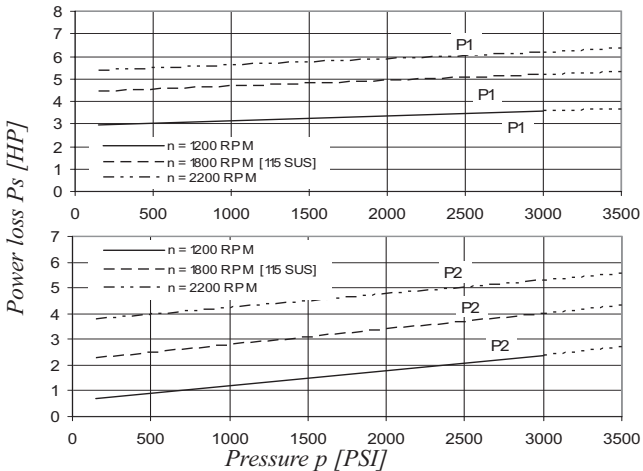
Do not operate pump more than 5 seconds at any speed or viscosity if internal leakage is higher than 50% of theoretical flow. Total leakage is the sum of each section loss at its operating conditions.

**NOISE LEVEL (TYPICAL)
T7EDS - 050 - B31**



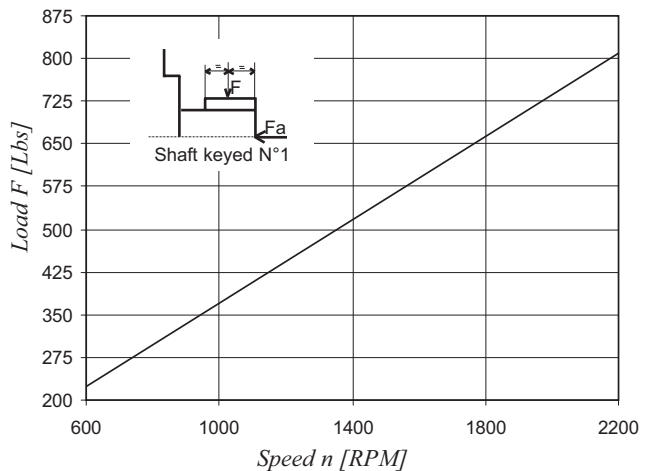
Double pump noise level is given with each section discharging at the pressure noted on the curve.

HYDROMECHANICAL POWER LOSS (TYPICAL)

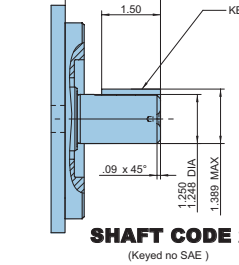
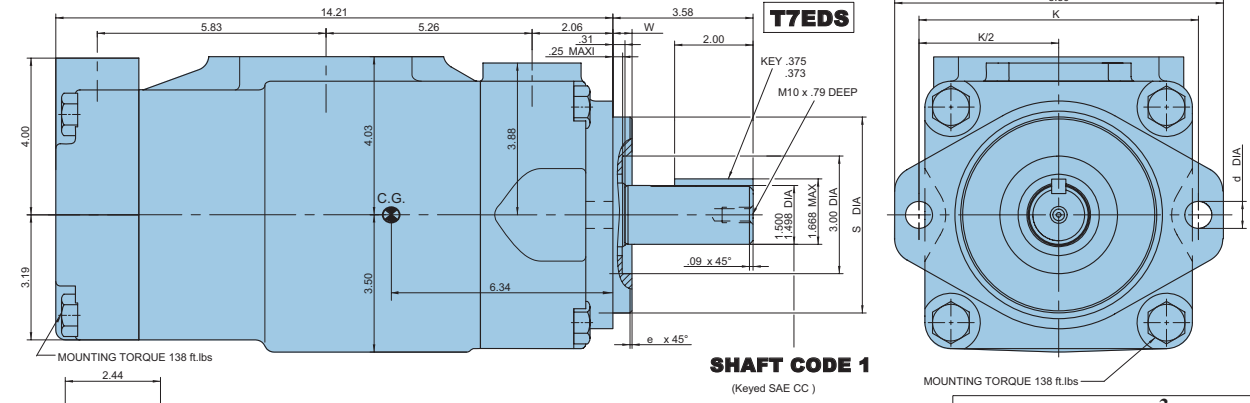
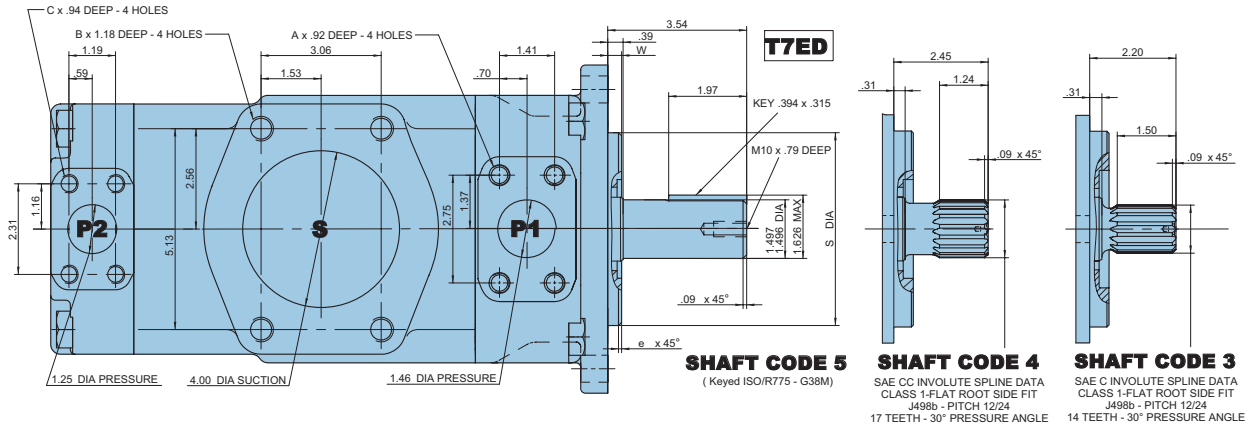


Total hydromechanical power loss is the sum of each section at its operating conditions.

PERMISSIBLE RADIAL LOAD



Maximum permissible axial load $F_a = 449$ Lbs



Alternate connect. variables

	01	M1
A	1/2" - 13 UNC	M12
B	5/8" - 11 UNC	M16
C	7/16" - 14 UNC	M12

Shaft torque limits [in³/rev. x PSI]

Shaft	Vi x p max.
1	64039
2	30638
3	54207
4	60673
5	60673

Alternate mounting flange

Series	S DIA		e x 45°	W	K	d DIA
	Max.	Min.				
T7ED	4.921	4.919	.079	.374	7.087	.709
T7EDS	5.000	4.998	.051	.500	7.126	.689

OPERATING CHARACTERISTICS - TYPICAL [115 SUS]

Pressure port	Series	Volumetric Displacement Vi	Flow qVe [GPM] & n = 1800 RPM			Input power P [HP] & n = 1800 RPM		
			p = 0 PSI	P = 2000 PSI	P = 3500 PSI	p = 100 PSI	p = 2000 PSI	p = 3500 PSI
P1	042	8.07 in ³ /rev	62.92	60.37	58.52	8.09	78.44	133.80
	045	8.70 in ³ /rev	67.72	65.17	63.32	8.37	84.04	143.60
	050	9.67 in ³ /rev	75.38	72.83	70.98	8.82	92.97	159.24
	052	10.00 in ³ /rev	78.37	75.82	73.97	8.99	96.47	165.36
	054	10.43 in ³ /rev	81.27	78.72	76.87	9.17	99.75	177.46
	057	11.18 in ³ /rev	87.12	84.57	82.72	9.51	106.57	189.84
	062	12.00 in ³ /rev	93.54	90.99	89.14	9.88	114.17	196.34
	066	13.00 in ³ /rev	101.44	98.89	97.04	10.34	123.38	212.46
	072	13.86 in ³ /rev	108.00	105.45	103.60	10.72	131.04	225.86
085	16.40 in ³ /rev	127.79	126.13 ¹⁾	-	11.88	101.66 ¹⁾	-	
P2	B14	2.64 in ³ /rev	20.54	18.81	17.44	3.23	27.56	47.74
	B17	3.30 in ³ /rev	25.68	23.94	22.59	3.53	33.64	58.60
	B20	3.95 in ³ /rev	30.82	29.08	27.71	3.84	39.73	69.46
	B22	4.29 in ³ /rev	33.43	31.69	30.33	3.99	42.82	74.96
	B24	4.86 in ³ /rev	37.85	36.12	34.74	4.25	48.06	84.35
	B28	5.39 in ³ /rev	42.04	40.30	38.94	4.50	53.02	93.20
	B31	5.94 in ³ /rev	46.32	44.58	43.22	4.75	58.09	102.19
	B35	6.80 in ³ /rev	52.98	51.24	49.88	5.15	65.97	116.27
	B38	7.23 in ³ /rev	56.35	54.62	53.26	5.35	69.97	123.37
	B42	8.26 in ³ /rev	64.34	62.61	61.24	5.82	79.43	140.27
	045	8.89 in ³ /rev	69.29	66.90	65.19 ²⁾	6.65	85.16	144.19 ²⁾
	050	9.64 in ³ /rev	75.14	72.75	71.56 ³⁾	7.00	92.09	136.87 ³⁾

1) 085 = 1300 PSI max. int. 2) 045 = 3500 PSI max. int. 3) 050 = 3000 PSI max. int.

Model No.

T7EE or T7EES - 066 - 045 - 1 R 00 - A 1 0 - 00 - ..

T7EE series - 250 B4HW
ISO 3019-2 mounting flange

P1 P2

T7EES series - SAE E 4 bolts
Mounting flange J744c

Displacement for "P1" & "P2"

Volumetric displacement (in³/rev)

- 042 = 8.07
- 045 = 8.70
- 050 = 9.67
- 052 = 10.00
- 054 = 10.43
- 057 = 11.18
- 062 = 12.00
- 066 = 13.00
- 072 = 13.86
- 085 = 16.40

Type of shaft T7EE

2 = keyed G45N (ISO 3019-2)

Type of shaft T7EES

- 1 = keyed (SAE CC)
- 3 = splined (SAE CC)
- 4 = splined (SAE D & E)
- 5 = keyed (SAE D & E)

Modifications

Mounting w/connection variables

	P1 & P2 = 1"1/2 - S = 4"	
	UNC	Metric
T7EE		M0
T7EES	00	M0

Coupling adaptor

- 0 = none
- 2 = SAE B
- 3 = SAE BB

Seal class

- 1 = S1 - BUNA N
- 4 = S4 - EPDM
- 5 = S5 - VITON

Design letter

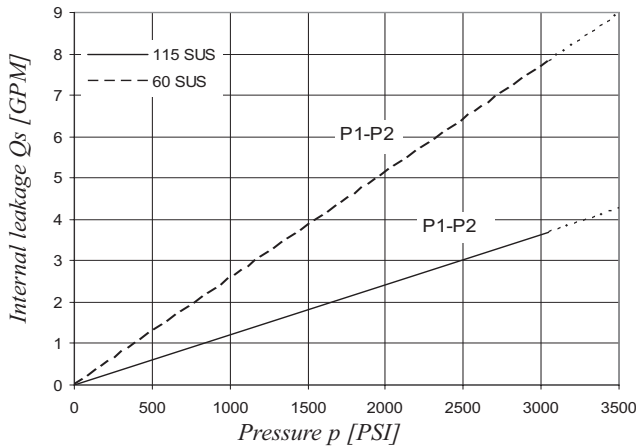
Porting combination (see page 62)

00 = standard

Direction of rotation (view on shaft end)

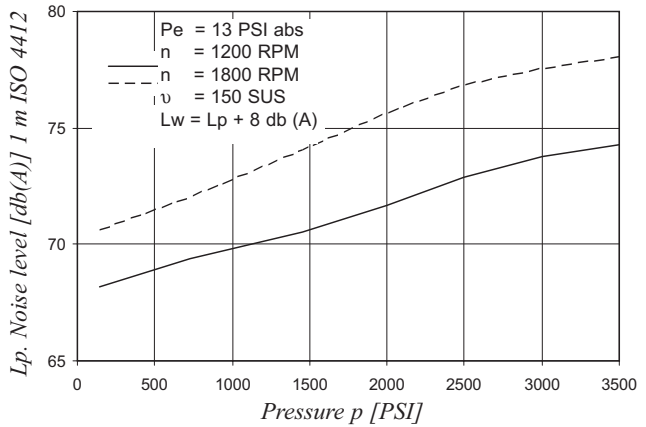
- R = Clockwise
- L = Counter-clockwise

INTERNAL LEAKAGE (TYPICAL)



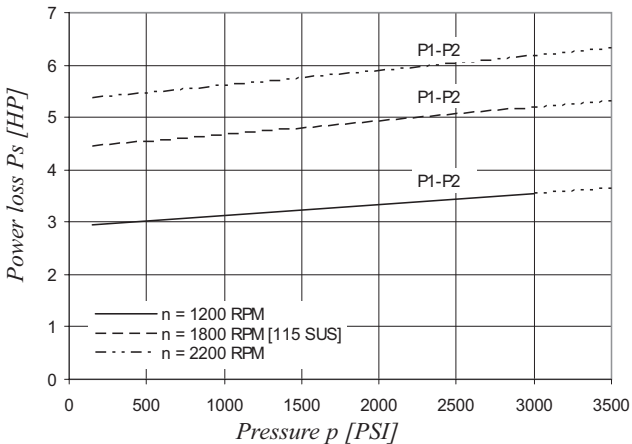
Do not operate pump more than 5 seconds at any speed or viscosity if internal leakage is higher than 50% of theoretical flow. Total leakage is the sum of each section loss at its operating conditions.

**NOISE LEVEL (TYPICAL)
T7EE 050 - 050**



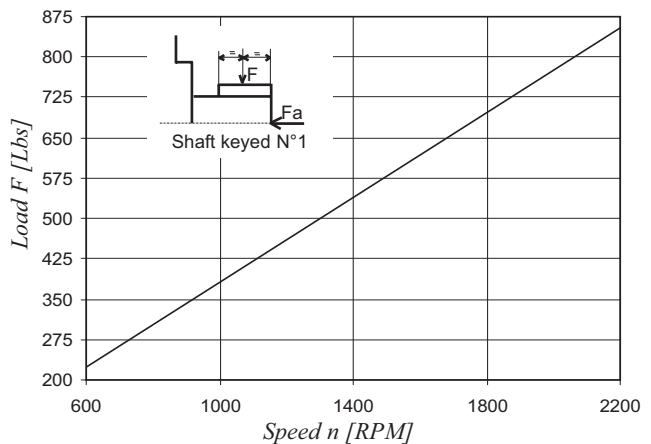
Double pump noise level is given with each section discharging at the pressure noted on the curve.

HYDROMECHANICAL POWER LOSS (TYPICAL)

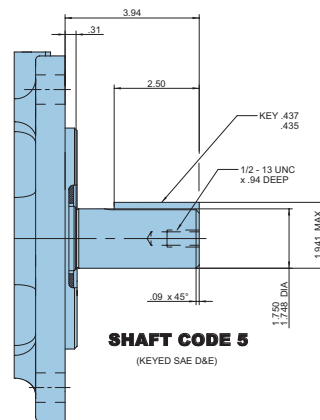
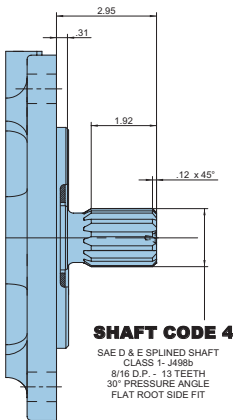
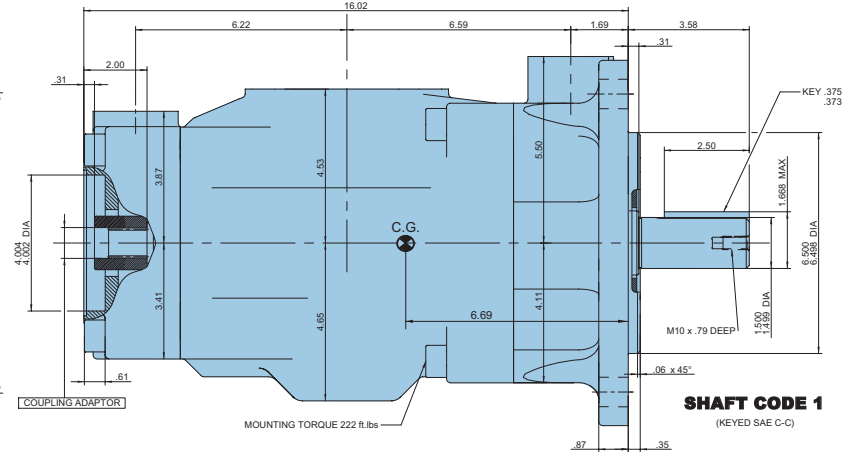
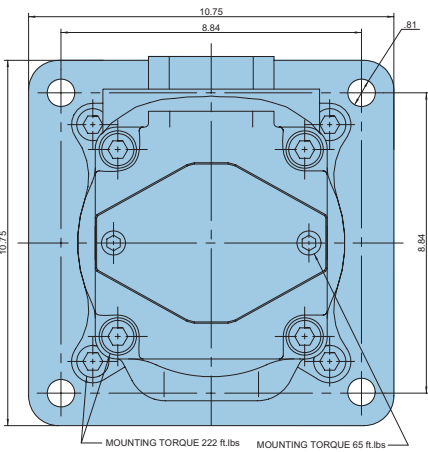
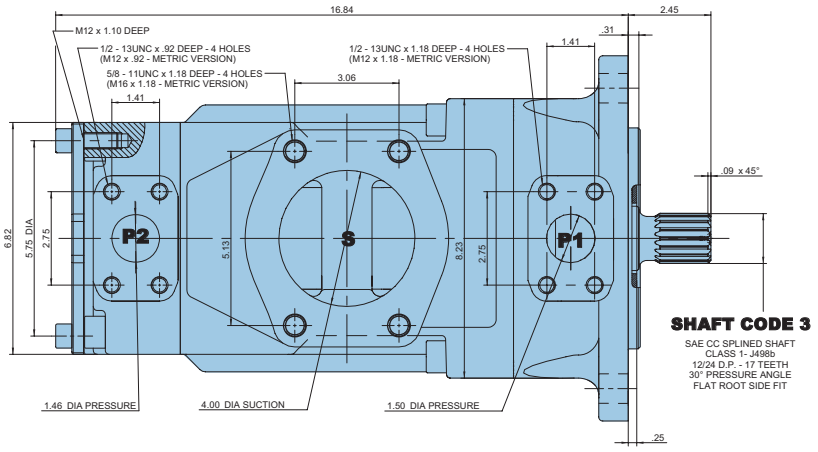
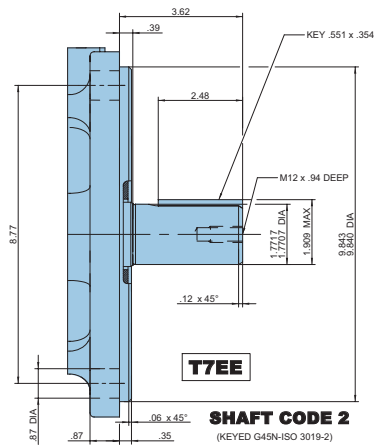


Total hydromechanical power loss is the sum of each section at its operating conditions.

PERMISSIBLE RADIAL LOAD



Maximum permissible axial load $F_a = 449$ Lbs



Code	Coupling adaptor
0	Without coupling
2	SAE B - 13 teeth - Pitch 16/32 Major dia. (min.) .875 - Minor dia. (min.) .753
3	SAE BB - 15 teeth - Pitch 16/32 Major dia. (min.) 1.00 - Minor dia (min.) .877

Shaft torque limits [in ³ /rev. x PSI]			
Shaft	Vi x p max.	Coupling drive	Vi x p max.
1	80053	SAE B	18246
2	101506	SAE BB	28937
3	112312		
4	112312		
5	104818		

OPERATING CHARACTERISTICS - TYPICAL [115 SUS]

Pressure port	Series	Volumetric Displacement Vi	Flow qVe [GPM] & n = 1800 RPM			Input power P [HP] & n = 1800 RPM		
			p = 0 PSI	P = 2000 PSI	P = 3500 PSI	p = 100 PSI	p = 2000 PSI	p = 3500 PSI
P1 & P2	042	8.07 in ³ /rev	62.92	60.37	58.52	8.09	78.44	133.80
	045	8.70 in ³ /rev	67.72	65.17	63.32	8.37	84.04	143.60
	050	9.67 in ³ /rev	75.38	72.83	70.98	8.82	92.97	159.24
	052	10.00 in ³ /rev	78.37	75.82	73.97	8.99	96.47	165.36
	054	10.43 in ³ /rev	81.27	78.72	76.87	9.17	99.75	177.46
	057	11.18 in ³ /rev	87.12	84.57	82.72	9.51	106.57	189.84
	062	12.00 in ³ /rev	93.54	90.99	89.14	9.88	114.17	196.34
	066	13.00 in ³ /rev	101.44	98.89	97.04	10.34	123.38	212.46
	072	13.86 in ³ /rev	108.00	105.45	103.60	10.72	131.04	225.86
	085	16.40 in ³ /rev	127.79	126.13 ¹⁾	-	11.88	101.66 ¹⁾	-

1) 085 = 1300 PSI max. int.

Model No.

T67DBB series - SAE C 2 bolts

Mounting flange J744

T67DBB - B38 - B14 - B08 - 1 R 00 - B 1 - M1 - ..

P1 P2 P3

Displacement for "P1"

Volumetric displacement (in³/rev)

B14 = 2.64 B31 = 5.94
 B17 = 3.30 B35 = 6.80
 B20 = 3.95 B38 = 7.23
 B22 = 4.29 B42 = 8.26
 B24 = 4.86 045 = 8.89
 B28 = 5.39 050 = 9.64

Displacement for "P2" & P3"

Volumetric displacement (in³/rev.)

B02 = .35 B09 = 1.70
 B03 = .60 B10 = 1.92
 B04 = .78 B11 = 2.14
 B05 = .97 B12 = 2.47
 B06 = 1.20 B14 = 2.70
 B07 = 1.37 B15 = 3.01
 B08 = 1.51

Type of shaft

- 1 = keyed (non SAE)
- 2 = keyed (SAE CC)
- 3 = splined 12/24 (SAE C)
- 4 = splined 12/24 (SAE CC)

Modifications

Mounting w/connection variables

P1 = 1"1/4 - P2 = 1" - P3 = 3/4" - S = 4"

01 = 4 bolts SAE flange

J518 - UNC thread

M1 = 4 bolts SAE flange

J518 - Metric thread

Seal class

1 = S1 (for mineral oil)

4 = S4 (for the resistant fluid)

5 = S5 (for mineral oil and fire resistant fluids)

Design letter

Porting combination (see page 62 - 63)

00 = standard

Direction of rotation (view on shaft end)

R = Clockwise

L = Counter-clockwise

OPERATING CHARACTERISTICS - TYPICAL [115 SUS]

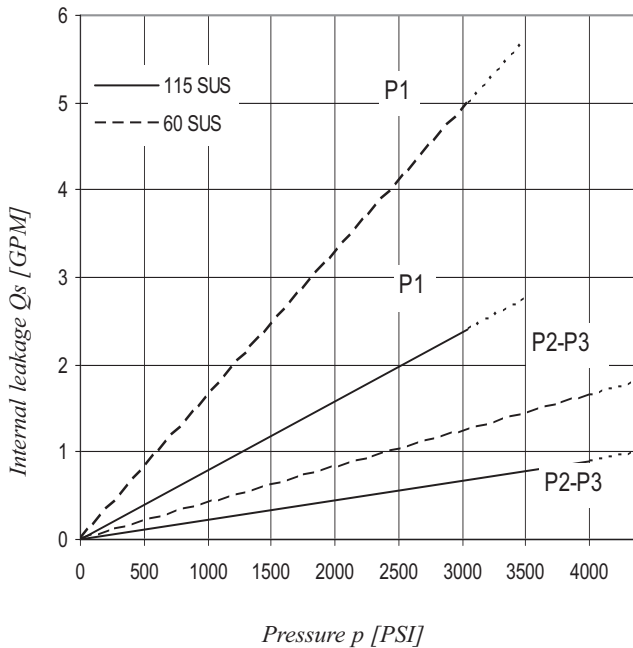
Pressure port	Series	Volumetric Displacement Vi	Flow qVe [GPM] & n = 1800 RPM			Input power P [HP] & n = 1800 RPM		
			p = 0 PSI	P = 2000 PSI	P = 3630 PSI	p = 100 PSI	p = 2000 PSI	p = 3630 PSI
P1	B14	2.64 in ³ /rev	20.54	18.81	17.44	3.23	27.56	47.74
	B17	3.30 in ³ /rev	25.68	23.94	22.59	3.53	33.64	58.60
	B20	3.95 in ³ /rev	30.82	29.08	27.71	3.84	39.73	69.46
	B22	4.29 in ³ /rev	33.43	31.69	30.33	3.99	42.82	74.96
	B24	4.86 in ³ /rev	37.85	36.12	34.74	4.25	48.06	84.35
	B28	5.39 in ³ /rev	42.04	40.30	38.94	4.50	53.02	93.20
	B31	5.94 in ³ /rev	46.32	44.58	43.22	4.75	58.09	102.19
	B35	6.80 in ³ /rev	52.98	51.24	49.88	5.15	65.97	116.27
	B38	7.23 in ³ /rev	56.35	54.62	53.26	5.35	69.97	123.37
	B42	8.26 in ³ /rev	64.34	62.61	61.24	5.82	79.43	140.27
	045	8.89 in ³ /rev	69.29	66.90	65.19 ¹⁾	6.65	85.16	144.19 ¹⁾
	050	9.64 in ³ /rev	75.14	72.75	71.56 ²⁾	7.00	92.09	136.87 ²⁾
			p = 0 PSI	p = 2000 PSI	p = 4350 PSI	p = 100 PSI	p = 2000 PSI	p = 4350 PSI
P2 & P3	B02	.35 in ³ /rev	2.76	2.31	1.79	0.97	4.53	8.81
	B03	.60 in ³ /rev	4.66	4.21	3.69	1.08	6.78	13.64
	B04	.78 in ³ /rev	6.09	5.64	5.12	1.17	8.47	17.26
	B05	.97 in ³ /rev	7.56	7.11	6.60	1.25	10.22	21.00
	B06	1.20 in ³ /rev	9.32	8.87	8.36	1.36	12.30	25.46
	B07	1.37 in ³ /rev	10.70	10.25	9.73	1.44	13.93	28.96
	B08	1.51 in ³ /rev	11.79	11.34	10.83	1.50	15.23	31.74
	B09	1.70 in ³ /rev	13.27	12.82	12.30	1.59	16.97	35.48
	B10	1.92 in ³ /rev	14.98	14.53	14.01	1.69	19.00	39.83
	B11	2.14 in ³ /rev	16.64	16.19	15.68	1.79	20.97	44.05
	B12	2.47 in ³ /rev	19.26	18.81	18.29	1.95	24.07	50.69
	B14	2.70 in ³ /rev	21.02	20.57	20.05	2.05	26.16	55.15
B15	3.01 in ³ /rev	23.49	23.04	22.59 ³⁾	2.20	29.08	57.39 ³⁾	

1) 045 = 3500 PSI max. int.

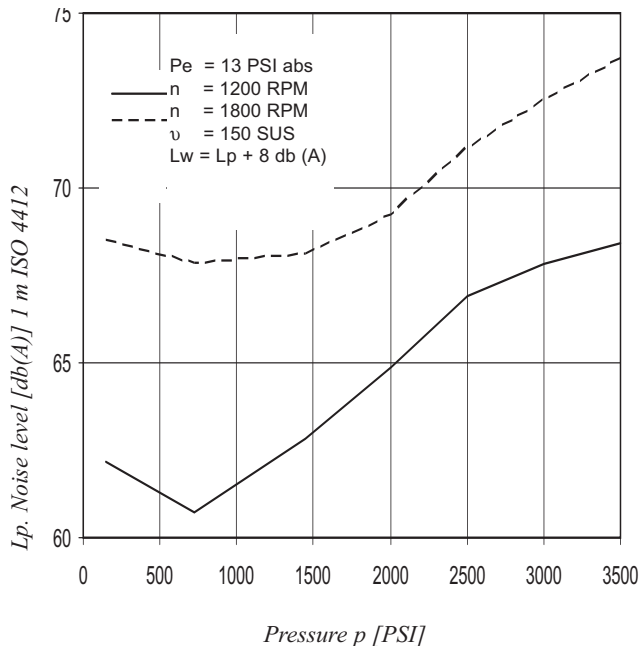
2) 050 = 3000 PSI max. int.

3) B15 = 4060 PSI max. int.

INTERNAL LEAKAGE (TYPICAL)



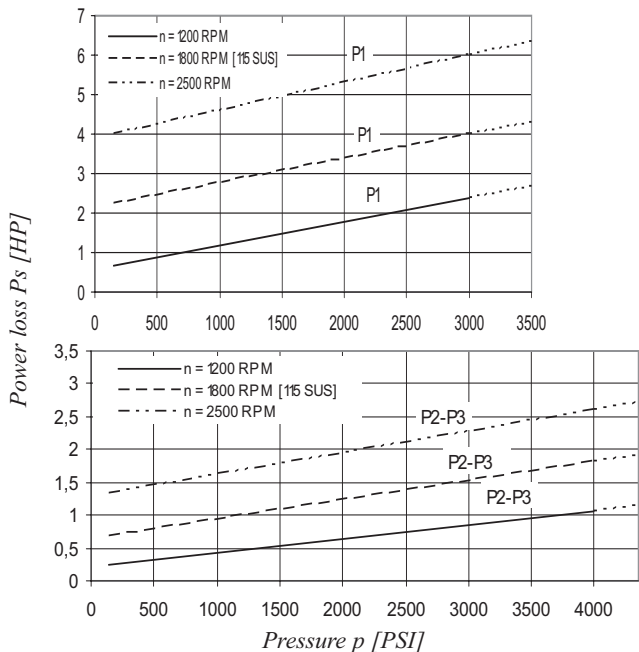
**NOISE LEVEL (TYPICAL)
T67DBB - B38 - B06 - B04**



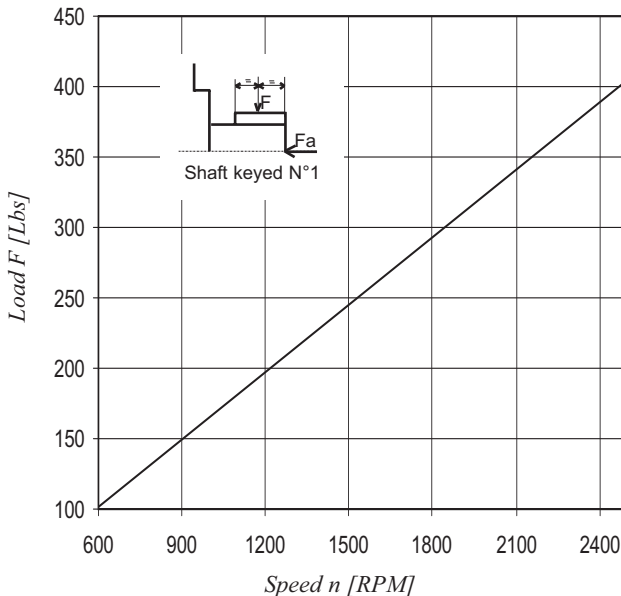
Do not operate pump more than 5 seconds at any speed or viscosity if internal leakage is higher than 50% of theoretical flow. Total leakage is the sum of each section loss at its operating conditions.

Triple pump noise level is given with each section discharging at the pressure noted on the curve.

HYDROMECHANICAL POWER LOSS (TYPICAL)



PERMISSIBLE RADIAL LOAD



Total hydromechanical power loss is the sum of each section at its operating conditions.

Maximum permissible axial load $F_a = 270$ Lbs

Model No.

T67DCB series - SAE C 2 bolts

Mounting flange J744

T67DCB - B38 - 028 - B08 - 1 R 00 - B 1 - M1 - ..

P1 P2 P3

Modifications

Mounting w/connection variables

P1 = 1"1/4 - P2 = 1" - P3 = 3/4" - S = 4"

01 = 4 bolts SAE flange

J518 - UNC thread

M1 = 4 bolts SAE flange

J518 - Metric thread

Seal class

1 = S1 (for mineral oil)

4 = S4 (for the resistant fluid)

5 = S5 (for mineral oil and fire resistant fluids)

Design letter

Porting combination (see page 62 - 63)

00 = standard

Direction of rotation (view on shaft end)

R = Clockwise

L = Counter-clockwise

Type of shaft

1 = keyed (non SAE)

2 = keyed (SAE CC)

3 = splined 12/24 (SAE C)

4 = splined 12/24 (SAE CC)

Displacement for "P1"

Volumetric displacement (in³/rev)

B14 = 2.64 B31 = 5.94

B17 = 3.30 B35 = 6.80

B20 = 3.95 B38 = 7.23

B22 = 4.29 B42 = 8.26

B24 = 4.86 045 = 8.89

B28 = 5.39 050 = 9.64

Displacement for "P2"

Volumetric displacement (in³/rev)

003 = .66 017 = 3.56

005 = 1.05 020 = 3.89

006 = 1.30 022 = 4.29

008 = 1.61 025 = 4.84

010 = 2.08 028 = 5.42

012 = 2.26 031 = 6.10

Displacement for "P3"

Volumetric displacement (in³/rev)

B02 = .35 B07 = 1.37 B12 = 2.47

B03 = .60 B08 = 1.51 B14 = 2.70

B04 = .78 B09 = 1.70 B15 = 3.01

B05 = .97 B10 = 1.92

B06 = 1.20 B11 = 2.14

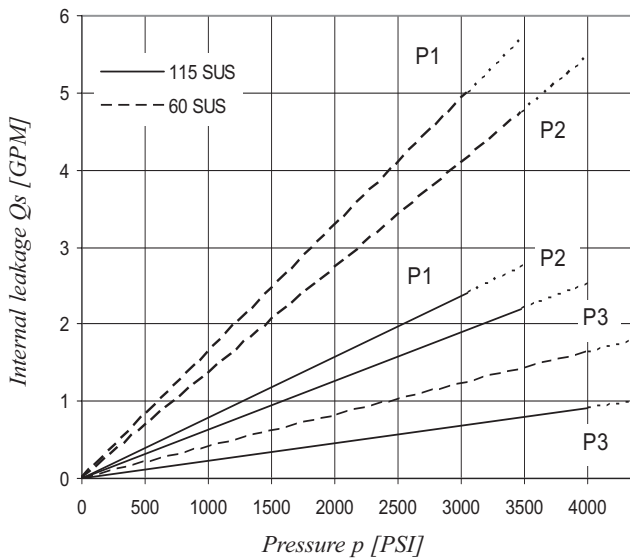
OPERATING CHARACTERISTICS - TYPICAL [115 SUS]

Pressure port	Series	Volumetric Displacement Vi	Flow qVe [GPM] & n = 1800 RPM			Input power P [HP] & n = 1800 RPM		
			p = 0 PSI	P = 2000 PSI	P = 3630 PSI	p = 100 PSI	p = 2000 PSI	p = 3630 PSI
P1	B14	2.64 in ³ /rev	20.54	18.81	17.44	3.23	27.56	47.74
	B17	3.30 in ³ /rev	25.68	23.94	22.59	3.53	33.64	58.60
	B20	3.95 in ³ /rev	30.82	29.08	27.71	3.84	39.73	69.46
	B22	4.29 in ³ /rev	33.43	31.69	30.33	3.99	42.82	74.96
	B24	4.86 in ³ /rev	37.85	36.12	34.74	4.25	48.06	84.35
	B28	5.39 in ³ /rev	42.04	40.30	38.94	4.50	53.02	93.20
	B31	5.94 in ³ /rev	46.32	44.58	43.22	4.75	58.09	102.19
	B35	6.80 in ³ /rev	52.98	51.24	49.88	5.15	65.97	116.27
	B38	7.23 in ³ /rev	56.35	54.62	53.26	5.35	69.97	123.37
	B42	8.26 in ³ /rev	64.34	62.61	61.24	5.82	79.43	140.27
045	8.89 in ³ /rev	69.29	66.90	65.19 ¹⁾	6.65	85.16	144.19 ¹⁾	
050	9.64 in ³ /rev	75.14	72.75	71.56 ²⁾	7.00	92.09	136.87 ²⁾	
			p = 0 PSI	p = 2000 PSI	p = 4000 PSI	p = 100 PSI	p = 2000 PSI	p = 4000 PSI
P2	003	.66 in ³ /rev	5.14	3.85	-	2.11	8.45	-
	005	1.05 in ³ /rev	8.18	6.86	5.68	2.29	12.00	19.81
	006	1.30 in ³ /rev	10.13	8.84	7.63	2.40	14.28	23.79
	008	1.61 in ³ /rev	12.55	11.26	10.05	2.54	17.11	28.75
	010	2.08 in ³ /rev	16.22	14.93	13.71	2.76	21.38	36.22
	012	2.26 in ³ /rev	17.64	16.35	15.14	2.84	23.05	39.14
	014	2.81 in ³ /rev	21.88	20.59	19.37	3.09	27.99	47.78
	017	3.56 in ³ /rev	27.73	26.44	25.22	3.43	34.81	59.73
	020	3.89 in ³ /rev	30.34	29.05	27.84	3.58	37.86	65.07
	022	4.29 in ³ /rev	33.43	32.14	30.93	3.76	41.47	71.38
	025	4.84 in ³ /rev	37.71	36.42	35.21	4.01	46.46	80.12
	028	5.42 in ³ /rev	42.23	40.94	40.32 ²⁾	4.27	51.74	76.73 ²⁾
031	6.10 in ³ /rev	47.56	46.27	45.65 ²⁾	4.58	57.95	86.06 ²⁾	
			p = 0 PSI	p = 2000 PSI	p = 4350 PSI	p = 100 PSI	p = 2000 PSI	p = 4350 PSI
P3	B02	.35 in ³ /rev	2.76	2.31	1.79	0.97	4.53	8.81
	B03	.60 in ³ /rev	4.66	4.21	3.69	1.08	6.78	13.64
	B04	.78 in ³ /rev	6.09	5.64	5.12	1.17	8.47	17.26
	B05	.97 in ³ /rev	7.56	7.11	6.60	1.25	10.22	21.00
	B06	1.20 in ³ /rev	9.32	8.87	8.36	1.36	12.30	25.46
	B07	1.37 in ³ /rev	10.70	10.25	9.73	1.44	13.93	28.96
	B08	1.51 in ³ /rev	11.79	11.34	10.83	1.50	15.23	31.74
	B09	1.70 in ³ /rev	13.27	12.82	12.30	1.59	16.97	35.48
	B10	1.92 in ³ /rev	14.98	14.53	14.01	1.69	19.00	39.83
	B11	2.14 in ³ /rev	16.64	16.19	15.68	1.79	20.97	44.05
	B12	2.47 in ³ /rev	19.26	18.81	18.29	1.95	24.07	50.69
	B14	2.70 in ³ /rev	21.02	20.57	20.05	2.05	26.16	55.15
B15	3.01 in ³ /rev	23.49	23.04	22.59 ³⁾	2.20	29.08	57.39 ³⁾	

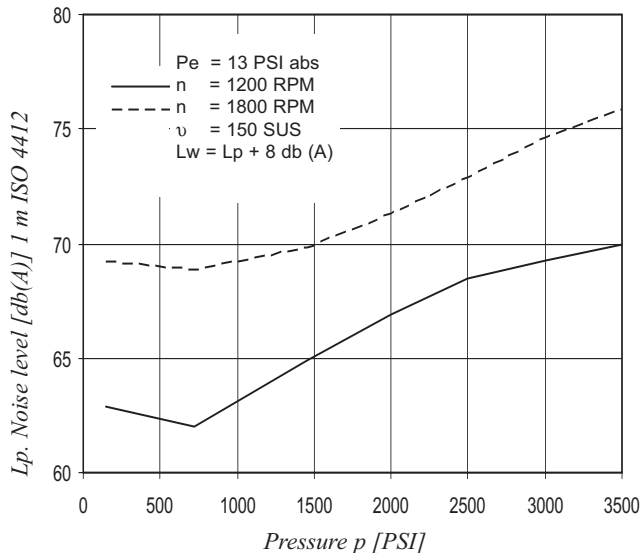
- We do not recommend to use this 003 at 4000 PSI & 1500 RPM as the internal leakage is over 50 % of theoretical flow.

1) 045 = 3500 PSI amx. int. 2) 028 - 031 - 050 = 3000 PSI max. int. 3) B15 = 4060 PSI max. int.

INTERNAL LEAKAGE (TYPICAL)



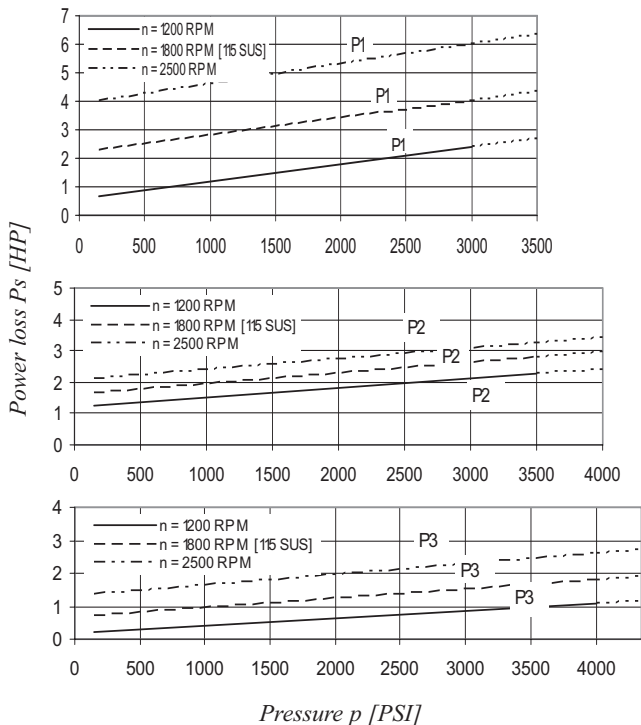
NOISE LEVEL (TYPICAL)
T67DCB - B38 - 022 - B10



Do not operate pump more than 5 seconds at any speed or viscosity if internal leakage is higher than 50% of theoretical flow. Total leakage is the sum of each section loss at its operating conditions.

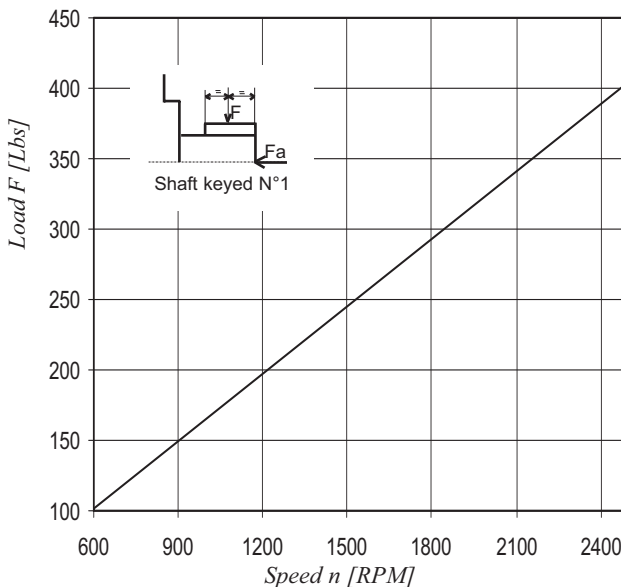
Triple pump noise level is given with each section discharging at the pressure noted on the curve.

HYDROMECHANICAL POWER LOSS (TYPICAL)

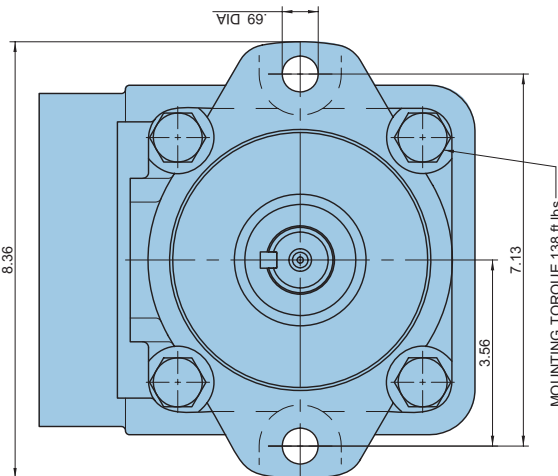
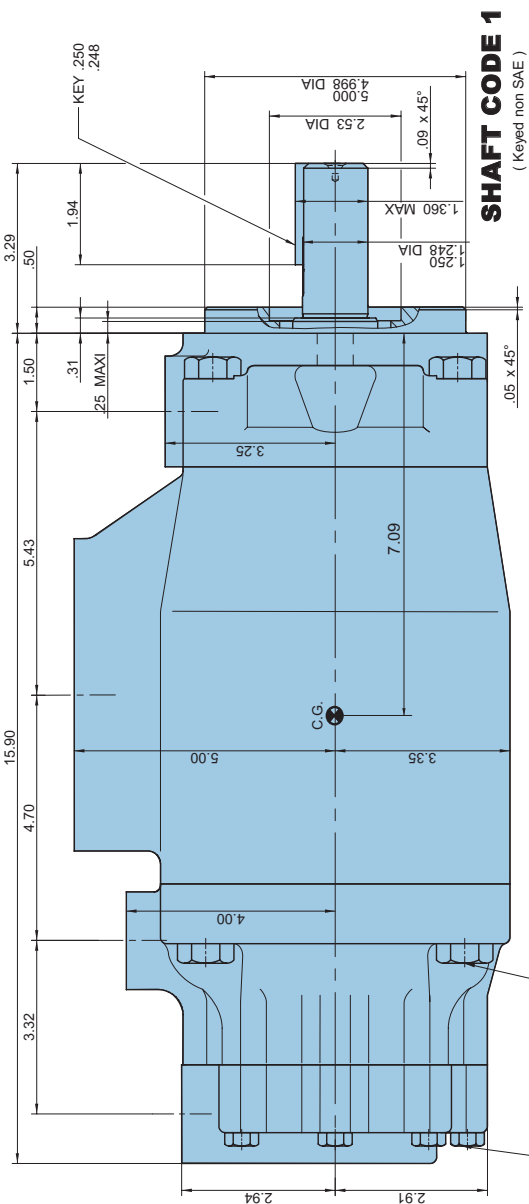
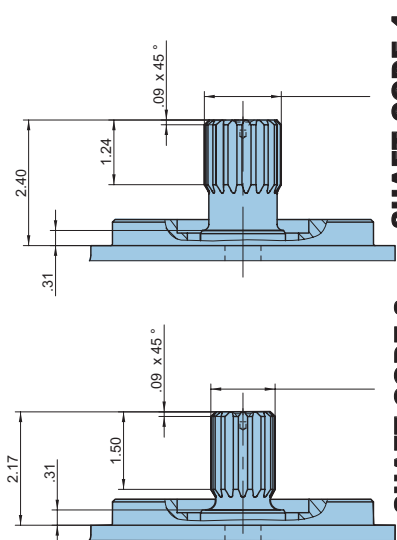
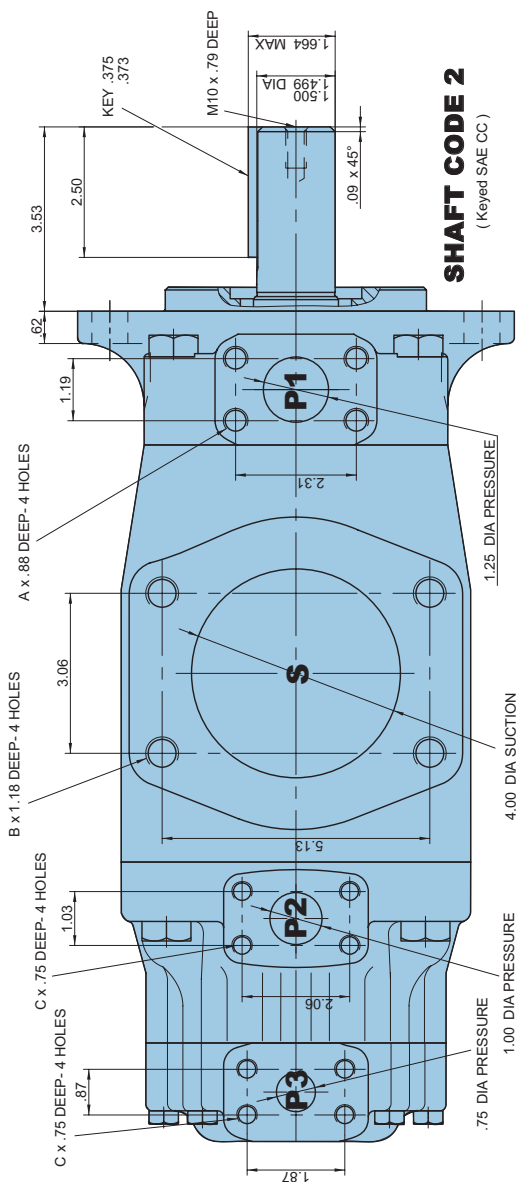


Total hydromechanical power loss is the sum of each section at its operating conditions.

PERMISSIBLE RADIAL LOAD

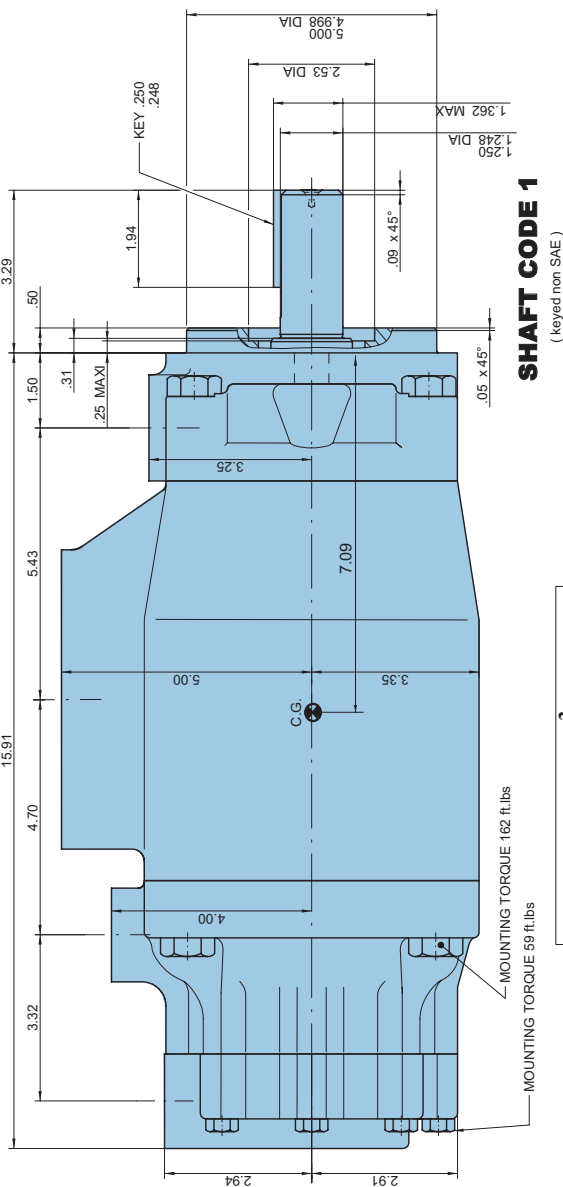
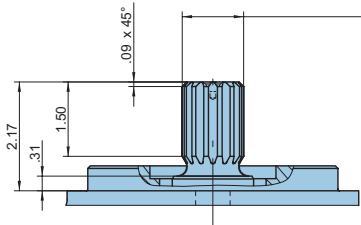
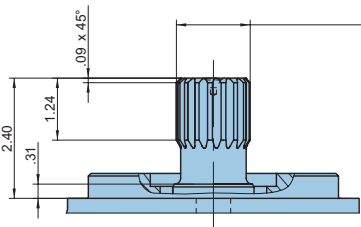
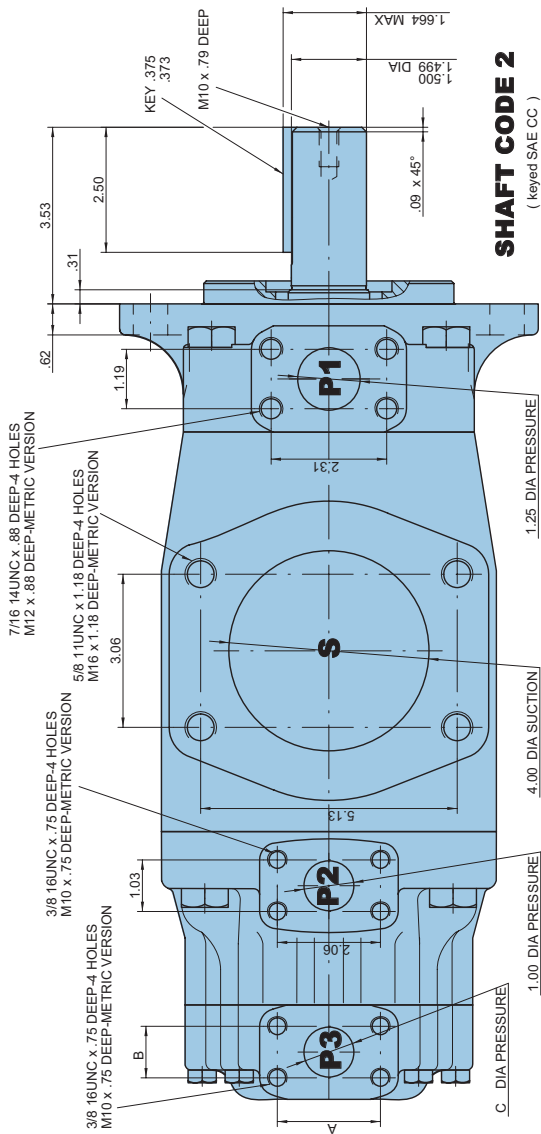


Maximum permissible axial load $F_a = 180 \text{ Lbs}$



Alternate connect. variables		
	01	M1
A	7/16" - 14 UNC	M12
B	5/8" - 11 UNC	M16
C	3/8" - 16 UNC	M10

Shaft torque limits $\text{in}^3/\text{rev.} \times \text{PSI}$	
Shaft	$V_i \times p \text{ max. } P1 + P2 + P3$
1	38299
2	58902
3	54207
4	58902



Alternate connect. variables	
	00 & M0 01 & M1
A	2.063
B	1.031
C	1.000

Shaft torque limits [in ³ /rev. x PSI]	
Shaft	V _i x p max. P1 + P2 + P3
1	38299
2	58902
3	54207
4	58902

Model No.

T67DCC series - SAE C 2 bolts
Mounting flange J744

T67DCC - B38 - 028 - 010 - 1 R 00 - A 1 - M1 - ..

P1 P2 P3

Displacement for "P1"

Volumetric displacement (in³/rev)

B14 = 2.64 B31 = 5.94
B17 = 3.30 B35 = 6.80
B20 = 3.95 B38 = 7.23
B22 = 4.29 B42 = 8.26
B24 = 4.86 045 = 8.89
B28 = 5.39 050 = 9.64

Displacement for "P2" & "P3"

Volumetric displacement (in³/rev)

003 = .66 017 = 3.56
005 = 1.05 020 = 3.89
006 = 1.30 022 = 4.29
008 = 1.61 025 = 4.84
010 = 2.08 028 = 5.42
012 = 2.26 031 = 6.10
014 = 2.81

Type of shaft

1 = keyed (non SAE)
2 = keyed (SAE CC)
3 = splined 12/24 (SAE C)
4 = splined 12/24 (SAE CC)

Modifications

Mounting w/connection variables

4 bolts SAE flange J518
P1 = 1 1/4" - P2 = 1" - S = 4"

	UNC	Metric
P3 = 1"	00	M0
P3 = 3/4"	01	M1

Seal class

1 = S1 (for mineral oil)
4 = S4 (for the resistant fluid)
5 = S5 (for mineral oil and fire resistant fluids)

Design letter

Porting combination (see page 62 - 63)

00 = standard

Direction of rotation (view on shaft end)

R = Clockwise
L = Counter-clockwise

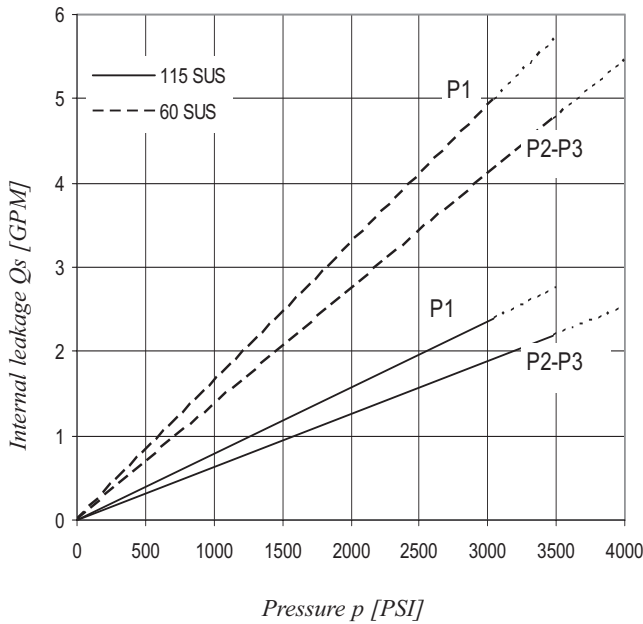
OPERATING CHARACTERISTICS - TYPICAL [115 SUS]

Pressure port	Series	Volumetric Displacement Vi	Flow qVe [GPM] & n = 1800 RPM			Input power P [HP] & n = 1800 RPM		
			p = 0 PSI	P = 2000 PSI	P = 3630 PSI	p = 100 PSI	p = 2000 PSI	p = 3630 PSI
P1	B14	2.64 in ³ /rev	20.54	18.81	17.44	3.23	27.56	47.74
	B17	3.30 in ³ /rev	25.68	23.94	22.59	3.53	33.64	58.60
	B20	3.95 in ³ /rev	30.82	29.08	27.71	3.84	39.73	69.46
	B22	4.29 in ³ /rev	33.43	31.69	30.33	3.99	42.82	74.96
	B24	4.86 in ³ /rev	37.85	36.12	34.74	4.25	48.06	84.35
	B28	5.39 in ³ /rev	42.04	40.30	38.94	4.50	53.02	93.20
	B31	5.94 in ³ /rev	46.32	44.58	43.22	4.75	58.09	102.19
	B35	6.80 in ³ /rev	52.98	51.24	49.88	5.15	65.97	116.37
	B38	7.23 in ³ /rev	56.35	54.62	53.26	5.35	69.97	123.37
	B42	8.26 in ³ /rev	64.34	62.61	61.24	5.82	79.43	140.27
	045	8.89 in ³ /rev	69.29	66.90	65.19 ¹⁾	6.65	85.16	144.19 ¹⁾
050	9.64 in ³ /rev	75.14	72.75	71.56 ²⁾	7.00	92.09	136.87 ²⁾	
			p = 0 PSI	p = 2000 PSI	p = 4000 PSI	p = 100 PSI	p = 2000 PSI	p = 4000 PSI
P2 & P3	003	.66 in ³ /rev	5.14	3.85	-	2.11	8.45	-
	005	1.05 in ³ /rev	8.18	6.86	5.68	2.29	12.00	19.81
	006	1.30 in ³ /rev	10.13	8.84	7.63	2.40	14.28	23.79
	008	1.61 in ³ /rev	12.55	11.26	10.05	2.54	17.11	28.75
	010	2.08 in ³ /rev	16.22	14.93	13.71	2.76	21.38	36.22
	012	2.26 in ³ /rev	17.64	16.35	15.14	2.84	23.05	39.14
	014	2.81 in ³ /rev	21.88	20.59	19.37	3.09	27.99	47.78
	017	3.56 in ³ /rev	27.73	26.44	25.22	3.43	34.81	59.73
	020	3.89 in ³ /rev	30.34	29.05	27.84	3.58	37.86	65.07
	022	4.29 in ³ /rev	33.43	32.14	30.93	3.76	41.47	71.38
	025	4.84 in ³ /rev	37.71	36.42	35.21	4.01	46.46	80.12
	028	5.42 in ³ /rev	42.23	40.94	40.32 ²⁾	4.27	51.74	76.73 ²⁾
	031	6.10 in ³ /rev	47.56	46.27	45.65 ²⁾	4.58	57.95	86.06 ²⁾

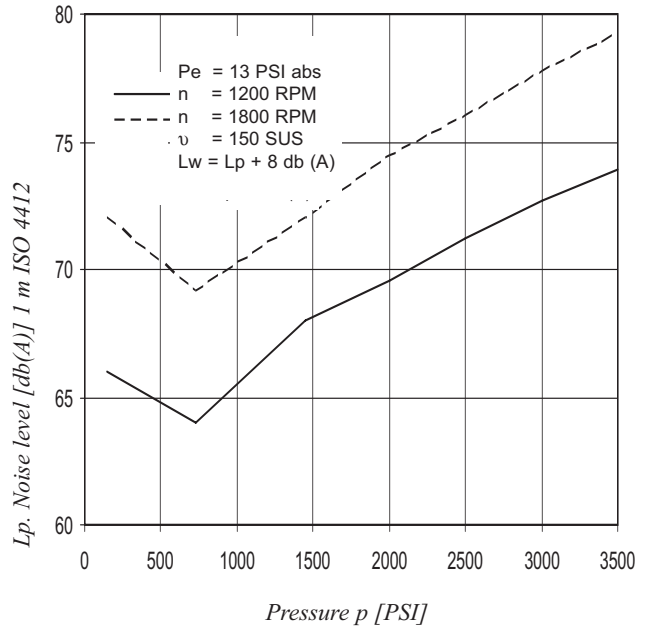
- We do not recommend to use this 003 at 4000 PSI & 1500 RPM as the internal leakage is over 50 % of theoretical flow.

1) 045 = 3500 PSI max. int. 2) 028 - 031 - 050 = 3000 PSI max. int.

INTERNAL LEAKAGE (TYPICAL)



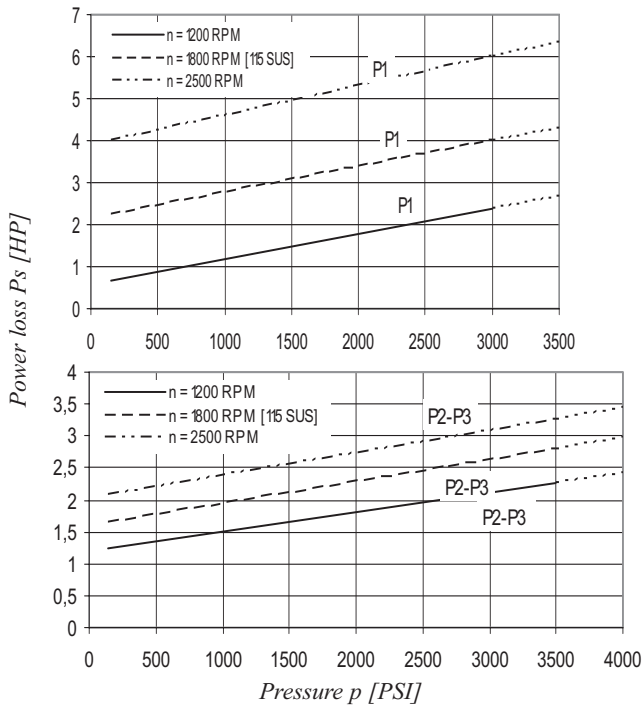
**NOISE LEVEL (TYPICAL)
T67DCC - B31 - 022 - 022**



Do not operate pump more than 5 seconds at any speed or viscosity if internal leakage is higher than 50% of theoretical flow. Total leakage is the sum of each section loss at its operating conditions.

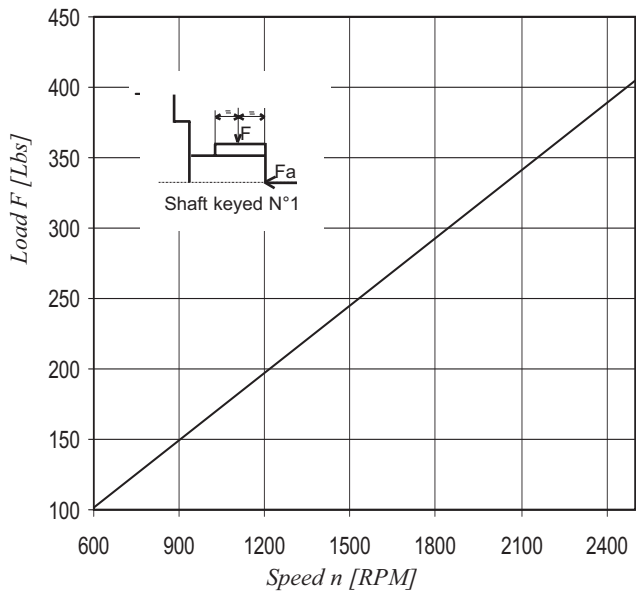
Triple pump noise level is given with each section discharging at the pressure noted on the curve.

HYDROMECHANICAL POWER LOSS (TYPICAL)



Total hydromechanical power loss is the sum of each section at its operating conditions.

PERMISSIBLE RADIAL LOAD



Maximum permissible axial load $F_a = 270$ Lbs

Model No. T7DDB or T7DDBS - 050 - B22 - B12 - 1 R 00 - A 1 - M0 - ..

T7DDB series - 125-B4 HW
 ISO 4 bolts 3019-2 mounting flange
 T7DDBS series - SAE C 6 bolts
 Mounting flange J744

P1 P2 P3

Displacement for "P1" & "P2"

Volumetric displacement (in³/rev.)

B14 = 2.64 B31 = 5.94
 B17 = 3.30 B35 = 6.80
 B20 = 3.95 B38 = 7.23
 B22 = 4.29 B42 = 8.26
 B24 = 4.86 B45 = 8.89
 B28 = 5.39 B50 = 9.64

Displacement for "P3"

Volumetric displacement (in³/rev.)

B02 = .35 B09 = 1.70
 B03 = .60 B10 = 1.92
 B04 = .78 B11 = 2.14
 B05 = .97 B12 = 2.47
 B06 = 1.20 B14 = 2.70
 B07 = 1.37 B15 = 3.01
 B08 = 1.51

Type of shaft T7DDBS

1 = keyed (SAE C) 3 = splined 12/24 (SAE C)
 2 = keyed (SAE CC) 4 = splined 12/24 (SAE CC)

Type of shaft T7DDB and T7DDBS

5 = keyed (ISO R775 - G38M)

Modifications

Mounting w/connection variables

4 bolts SAE flange J518c

P1 & P2 = 1"1/4 - S = 4"		
Type	UNC	Metric
T7DDB - P3 = 1"		M0
T7DDB - P3 = 3/4"		M1
T7DDBS - P3 = 1"	00	M0
T7DDBS - P3 = 3/4"	01	M1

Seal class

1 = S1 (for mineral oil)
 4 = S4 (for the resistant fluid)
 5 = S5 (for mineral oil and fire resistant fluids)

Design letter

Porting combination (see page 62 - 63)

00 = standard

Direction of rotation (view on shaft end)

R = Clockwise

L = Counter-clockwise

OPERATING CHARACTERISTICS - TYPICAL [115 SUS]

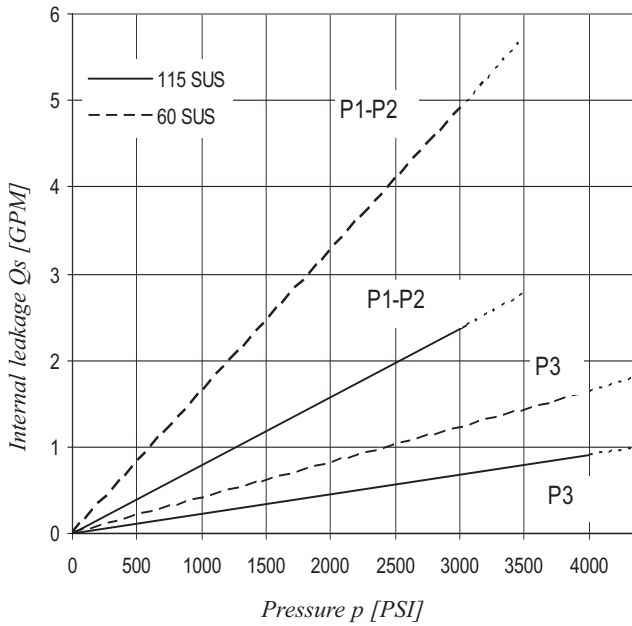
Pressure port	Series	Volumetric Displacement Vi	Flow qVe [GPM] & n = 1800 RPM			Input power P [HP] & n = 1800 RPM		
			p = 0 PSI	P = 2000 PSI	P = 3630 PSI	p = 100 PSI	p = 2000 PSI	p = 3630 PSI
P1 & P2	B14	2.64 in ³ /rev	20.54	18.81	17.44	3.23	27.56	47.74
	B17	3.30 in ³ /rev	25.68	23.94	22.59	3.53	33.64	58.60
	B20	3.95 in ³ /rev	30.82	29.08	27.71	3.84	39.73	69.46
	B22	4.29 in ³ /rev	33.43	31.69	30.33	3.99	42.82	74.96
	B24	4.86 in ³ /rev	37.85	36.12	34.74	4.25	48.06	84.35
	B28	5.39 in ³ /rev	42.04	40.30	38.94	4.50	53.02	93.20
	B31	5.94 in ³ /rev	46.32	44.58	43.22	4.75	58.09	102.19
	B35	6.80 in ³ /rev	52.98	51.24	49.88	5.15	65.97	116.27
	B38	7.23 in ³ /rev	56.35	54.62	53.26	5.35	69.97	123.37
	B42	8.26 in ³ /rev	64.34	62.61	61.24	5.82	79.43	140.27
P3	045	8.89 in ³ /rev	69.29	66.90	65.19 ¹⁾	6.65	85.16	144.19 ¹⁾
	050	9.64 in ³ /rev	75.14	72.75	71.56 ²⁾	7.00	92.09	136.87 ²⁾
			p = 0 PSI	p = 2000 PSI	p = 4350 PSI	p = 100 PSI	p = 2000 PSI	p = 4350 PSI
	B02	.35 in ³ /rev	2.76	2.31	1.79	0.97	4.53	8.81
	B03	.60 in ³ /rev	4.66	4.21	3.69	1.08	6.78	13.64
	B04	.78 in ³ /rev	6.09	5.64	5.12	1.17	8.47	17.26
	B05	.97 in ³ /rev	7.56	7.11	6.60	1.25	10.22	21.00
	B06	1.20 in ³ /rev	9.32	8.87	8.36	1.36	12.30	25.46
	B07	1.37 in ³ /rev	10.70	10.25	9.73	1.44	13.93	28.96
	B08	1.51 in ³ /rev	11.79	11.34	10.83	1.50	15.23	31.74
B09	1.70 in ³ /rev	13.27	12.82	12.30	1.59	16.97	35.48	
B10	1.92 in ³ /rev	14.98	14.53	14.01	1.69	19.00	39.83	
B11	2.14 in ³ /rev	16.64	16.19	15.68	1.79	20.97	44.05	
B12	2.47 in ³ /rev	19.26	18.81	18.29	1.95	24.07	50.69	
B14	2.70 in ³ /rev	21.02	20.57	20.05	2.05	26.16	55.15	
B15	3.01 in ³ /rev	23.49	23.04	22.59 ³⁾	2.20	29.08	57.39 ³⁾	

1) 045 = 3500 PSI max. int.

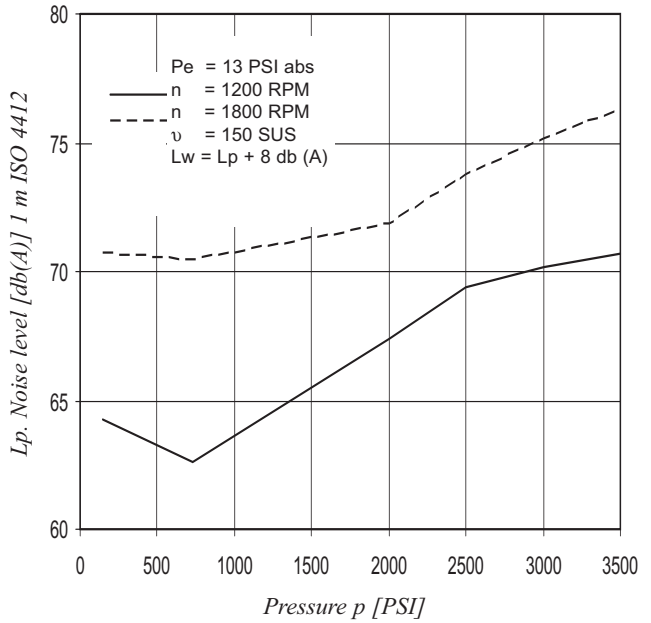
2) 050 = 3000 PSI max. int.

3) B15 = 4060 PSI max. int.

INTERNAL LEAKAGE (TYPICAL)



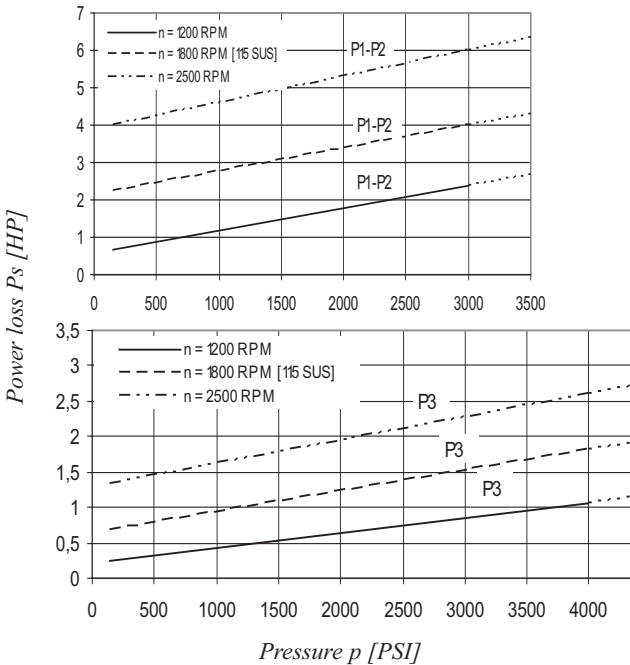
**NOISE LEVEL (TYPICAL)
T7DDB - B31 - B31 - B10**



Do not operate pump more than 5 seconds at any speed or viscosity if internal leakage is higher than 50% of theoretical flow. Total leakage is the sum of each section loss at its operating conditions.

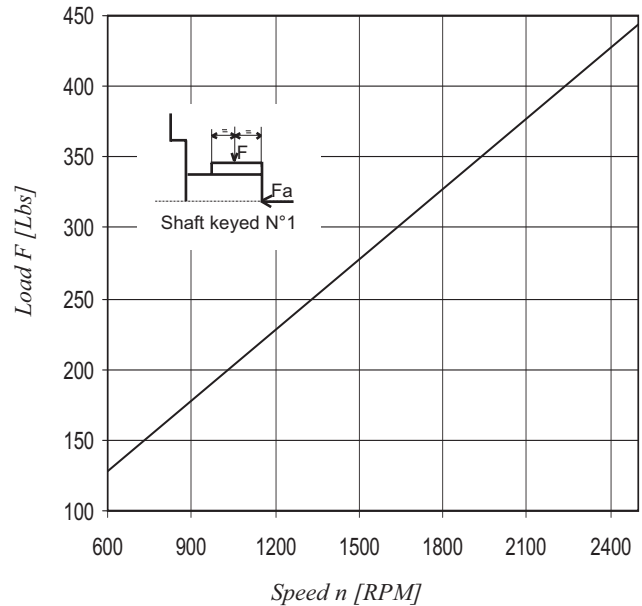
Triple pump noise level is given with each section discharging at the pressure noted on the curve.

HYDROMECHANICAL POWER LOSS (TYPICAL)

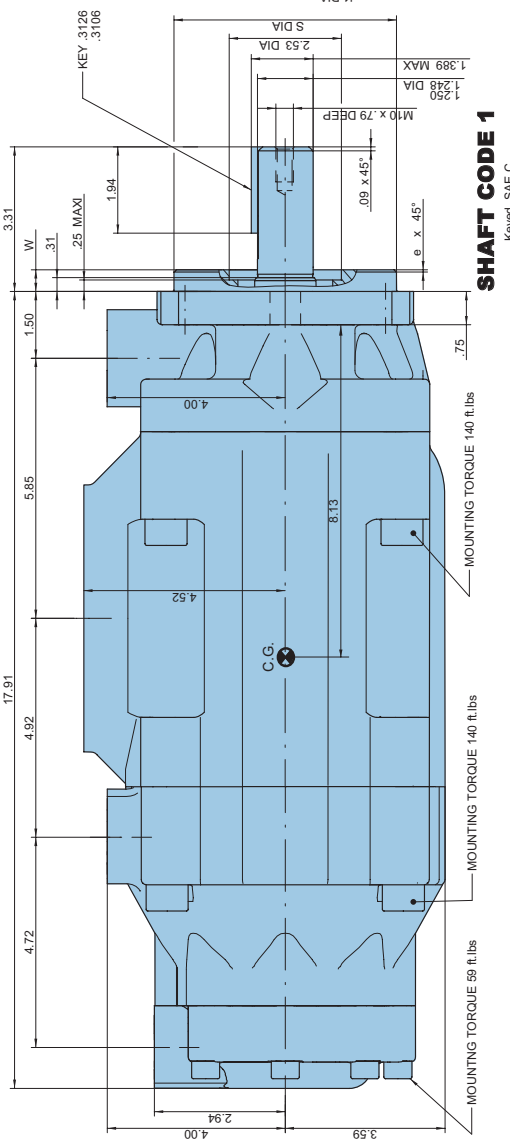
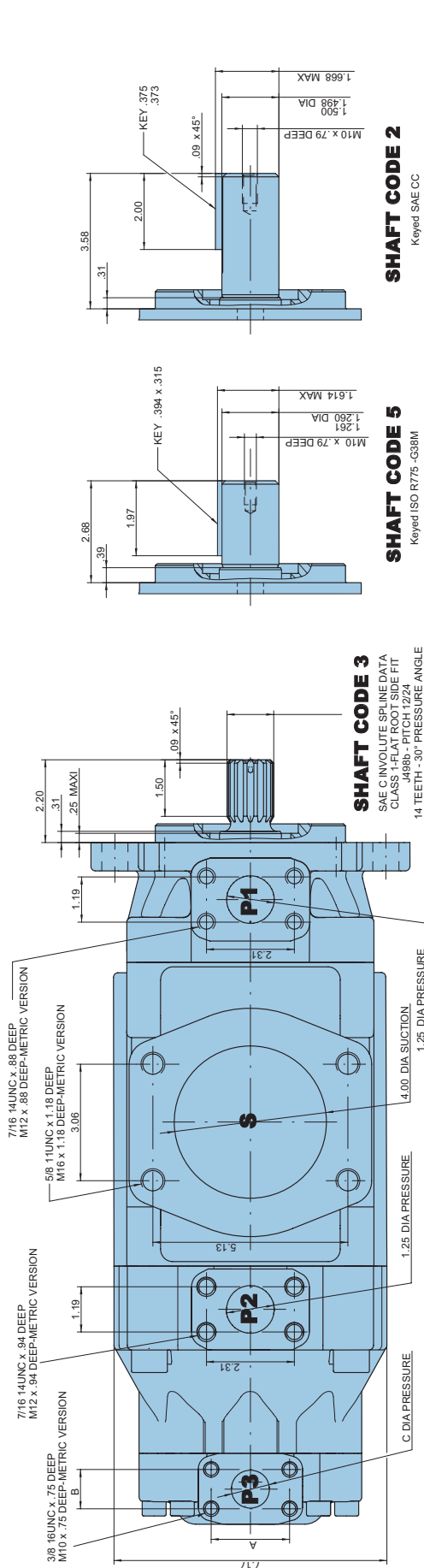


Total hydromechanical power loss is the sum of each section at its operating conditions.

PERMISSIBLE RADIAL LOAD



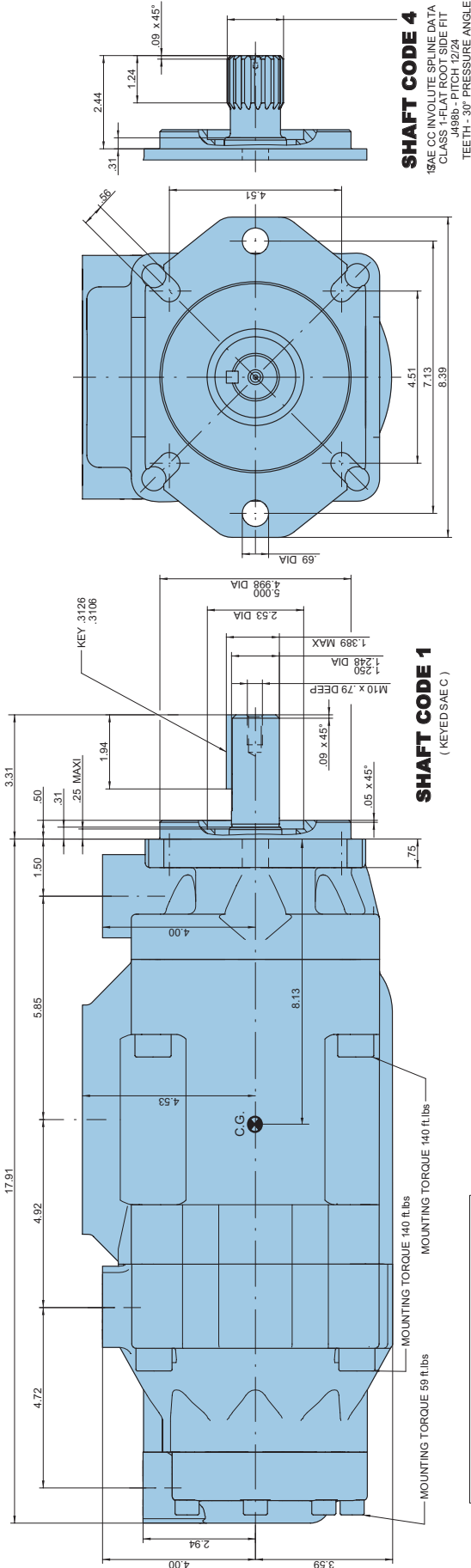
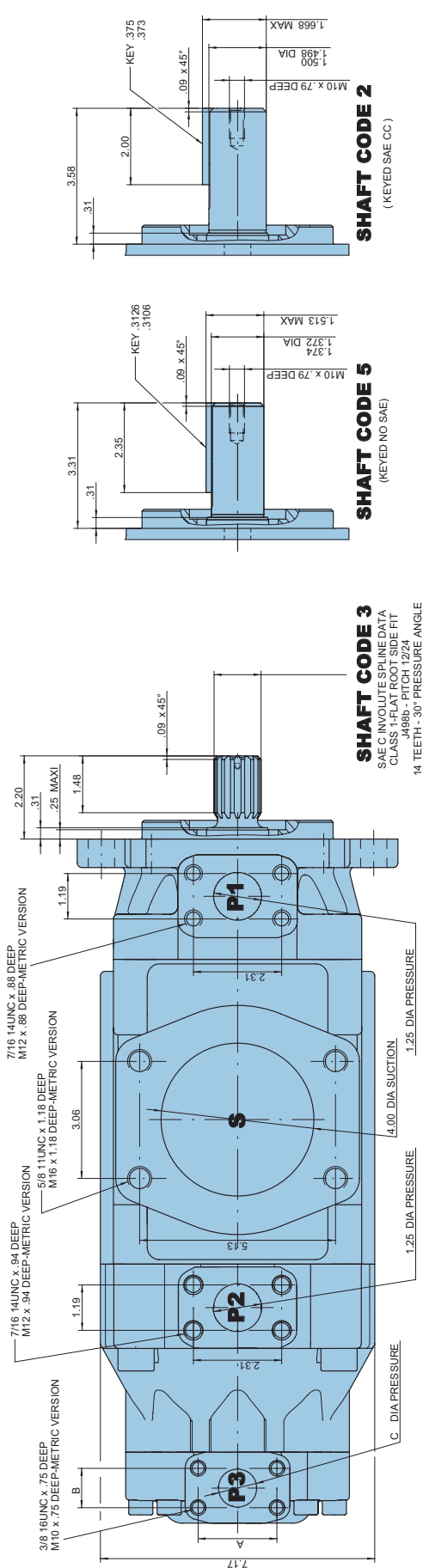
Maximum permissible axial load Fa = 270 Lbs



Alternate connect. variables		
	00 & M0	O1 & M1
A	2.063	1.874
B	1.031	.874
C	1.000	.748

Alternate mounting flange							
Series	S Dia	e x 45°	W	K1	d1 Dia	K2	d2 Dia
T7DDB	4.921	4.919	.079	.374	7.087	.709	4.454
T7DDBS	5.000	4.998	.059	.500	7.126	.689	4.508

Shaft torque limits [in ³ /rev. x PSI]	
Shaft	V _i x p max. P1 + P2 + P3
1	38299
2	64044
3	54207
4	58902
5	47033



Alternate port				
Port	Code	A	B	C
P3	00 - M0	2.063	1.031	1.000
	01 - M1	1.874	.874	.748

Shaft torque limits [in ³ /rev. x PSI]	
Shaft	Vi x p max. P1 + P2 + P3
1	38299
2	64044
3	54207
4	58902
5	49247

Model No.

T67DDCS - 050 - B35 - B08 - 1 R 00 - A 1 M0 - ..

Series - SAE C 6 bolts
Mounting flange J744

P1 P2 P3

Displacement for "P1" & "P2"

Volumetric displacement (in³/rev)

B14 = 2.64 B31 = 5.94
B17 = 3.30 B35 = 6.80
B20 = 3.95 B38 = 7.23
B22 = 4.29 B42 = 8.26
B24 = 4.86 045 = 8.89
B28 = 5.39 050 = 9.64

Displacement for "P3"

Volumetric displacement (in³/rev)

003 = .66 017 = 3.56
005 = 1.05 020 = 3.89
006 = 1.30 022 = 4.29
008 = 1.61 025 = 4.84
010 = 2.08 028 = 5.42
012 = 2.26 031 = 6.10
014 = 2.81

Type of shaft

1 = keyed (SAE C) 4 = splined 12/24 (SAE CC)
2 = keyed (SAE CC) 5 = keyed (non SAE)
3 = splined 12/24 (SAE C)

Modifications

Mounting w/connection variables

4 bolts SAE flange J518

Type	P1 & P2 = 1" 1/4 - S = 4"			
	UNC		Metric	
P3	1"	3/4"	1"	3/4"
Code	00	01	M0	M1

Seal class

1 = S1 (for mineral oil)
4 = S4 (for the resistant fluid)
5 = S5 (for mineral oil and fire resistant fluids)

Design letter

Porting combination (see page 62 - 63)

00 = standard

Direction of rotation (view on shaft end)

R = Clockwise

L = Counter-clockwise

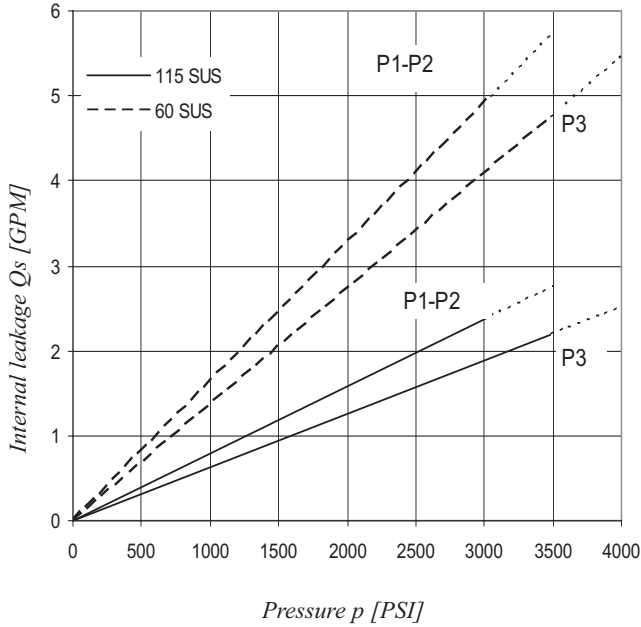
OPERATING CHARACTERISTICS - TYPICAL [115 SUS]

Pressure port	Series	Volumetric Displacement Vi	Flow qVe [GPM] & n = 1800 RPM			Input power P [HP] & n = 1800 RPM		
			p = 0 PSI	P = 2000 PSI	P = 3630 PSI	p = 100 PSI	p = 2000 PSI	p = 3630 PSI
P1 & P2	B14	2.64 in ³ /rev	20.54	18.81	17.44	3.23	27.56	47.74
	B17	3.30 in ³ /rev	25.68	23.94	22.59	3.53	33.64	58.60
	B20	3.95 in ³ /rev	30.82	29.08	27.71	3.84	39.73	69.46
	B22	4.29 in ³ /rev	33.43	31.69	30.33	3.99	42.82	74.96
	B24	4.86 in ³ /rev	37.85	36.12	37.74	4.25	48.06	84.35
	B28	5.39 in ³ /rev	42.04	40.30	38.94	4.50	53.02	93.20
	B31	5.94 in ³ /rev	46.32	44.58	43.22	4.75	58.09	102.19
	B35	6.80 in ³ /rev	52.98	51.24	49.88	5.15	65.97	116.27
	B38	7.23 in ³ /rev	56.35	54.62	53.26	5.35	69.97	123.37
	B42	8.26 in ³ /rev	64.34	62.61	61.24	5.82	79.43	140.27
	045	8.89 in ³ /rev	69.29	66.90	65.19 ¹⁾	6.65	85.16	144.19 ¹⁾
	050	9.64 in ³ /rev	75.14	72.75	71.56 ²⁾	7.00	92.09	136.87 ²⁾
P3	003	.66 in ³ /rev	5.14	3.85	-	2.11	8.45	-
	005	1.05 in ³ /rev	8.18	6.86	5.68	2.29	12.00	19.81
	006	1.30 in ³ /rev	10.13	8.84	7.63	2.40	14.28	23.79
	008	1.61 in ³ /rev	12.55	11.26	10.05	2.54	17.11	28.75
	010	2.08 in ³ /rev	16.22	14.93	13.71	2.76	21.38	36.22
	012	2.26 in ³ /rev	17.64	16.35	15.14	2.84	23.05	39.14
	014	2.81 in ³ /rev	21.88	20.59	19.37	3.09	27.99	47.78
	017	3.56 in ³ /rev	27.73	26.44	25.22	3.43	34.81	59.73
	020	3.89 in ³ /rev	30.34	29.05	27.84	3.58	37.86	65.07
	022	4.29 in ³ /rev	33.43	32.14	30.93	3.76	41.47	71.38
	025	4.84 in ³ /rev	37.71	36.42	35.21	4.01	46.46	80.12
	028	5.42 in ³ /rev	42.23	40.94	40.32 ²⁾	4.27	51.74	76.73 ²⁾
	031	6.10 in ³ /rev	47.56	46.27	45.65 ²⁾	4.58	57.95	86.06 ²⁾

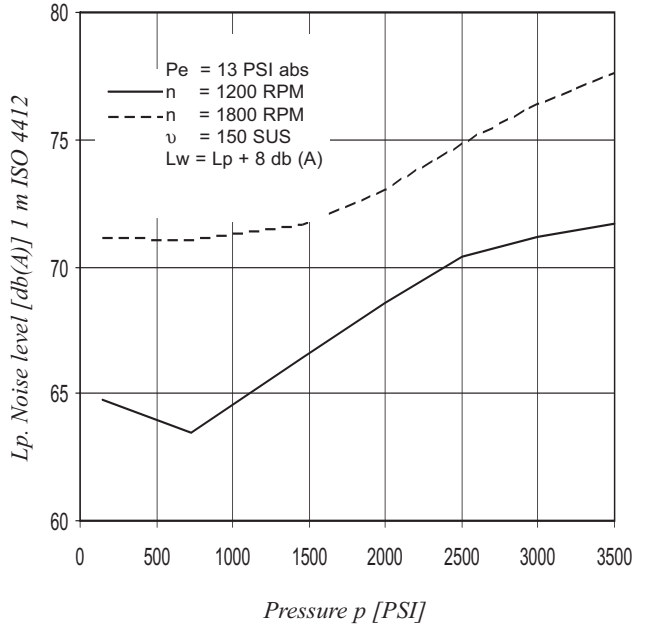
- We do not recommend to use this 003 at 4000 PSI & 1500 RPM as the internal leakage is over 50 % of theoretical flow.

1) 045 = 3500 PSI max. int. 2) 028 - 031 - 050 = 3000 PSI max. int.

INTERNAL LEAKAGE (TYPICAL)



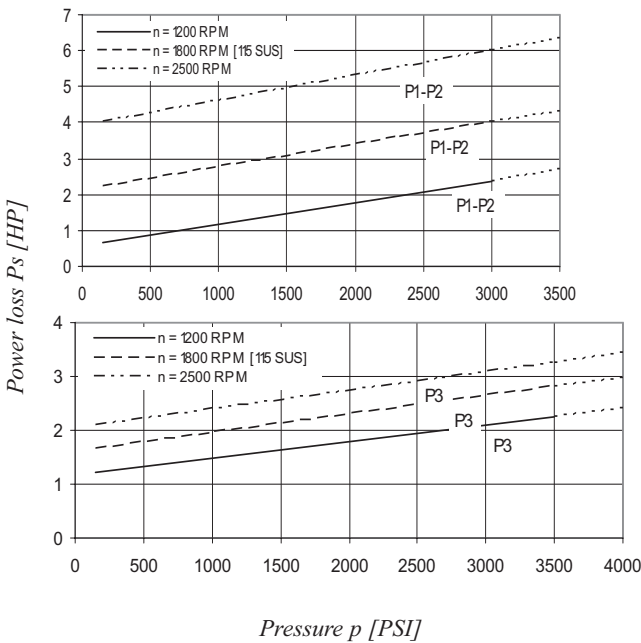
**NOISE LEVEL (TYPICAL)
T67DDCS - B31 - B31 - 022**



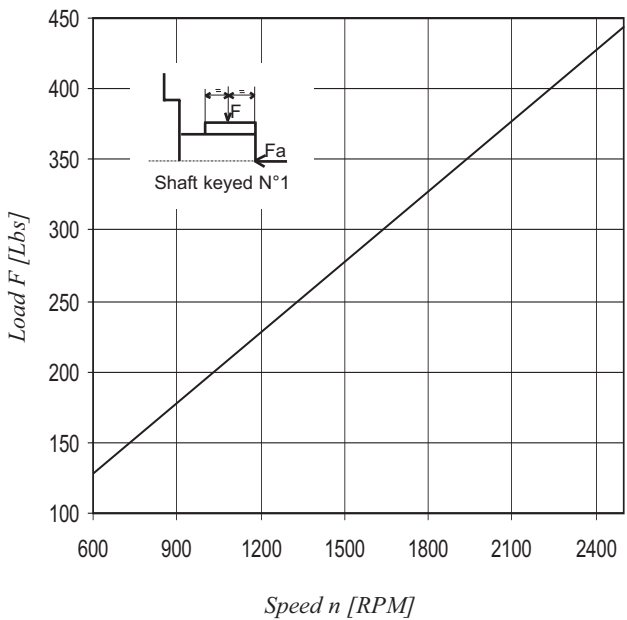
Do not operate pump more than 5 seconds at any speed or viscosity if internal leakage is higher than 50% of theoretical flow. Total leakage is the sum of each section loss at its operating conditions.

Triple pump noise level is given with each section discharging at the pressure noted on the curve.

HYDROMECHANICAL POWER LOSS (TYPICAL)



PERMISSIBLE RADIAL LOAD



Total hydromechanical power loss is the sum of each section at its operating conditions.

Maximum permissible axial load $F_a = 270$ Lbs

Model No. T7EDB or T7EDBS - 062 - B35 - B10 - 1 R 00 - A 1 - 01 - ..

T7EDB series - 250-B4 HW
ISO 4 bolts 3019-2 mounting flange
T7EDBS series - SAE E 4 bolts
Mounting flange J744

Displacement for "P1"
Volumetric displacement (in³/rev)
042 = 8.07 057 = 11.18
045 = 8.70 062 = 12.00
050 = 9.67 066 = 13.00
052 = 10.00 072 = 13.86
054 = 10.43 085 = 16.40

Displacement for "P2"
Volumetric displacement (in³/rev)
B14 = 2.64 B31 = 5.94
B17 = 3.30 B35 = 6.80
B20 = 3.95 B38 = 7.23
B22 = 4.29 B42 = 8.26
B24 = 4.86 045 = 8.89
B28 = 5.39 050 = 9.64

Displacement for "P3"
Volumetric displacement (in³/rev.)
B02 = .35 B09 = 1.70
B03 = .60 B10 = 1.92
B04 = .78 B11 = 2.14
B05 = .97 B12 = 2.47
B06 = 1.20 B14 = 2.70
B07 = 1.37 B15 = 3.01
B08 = 1.51

Modifications

Mounting w/connection variables

4 bolts SAE flanges J518

P1 = 1"1/2 - P2 = 1"1/4 - S = 4"

Type	UNC	Metric
T7EDB - P3 = 1"		M0
T7EDB - P3 = 3/4"		M1
T7EDBS - P3 = 1"	00	M0
T7EDBS - P3 = 3/4"	01	M1

Seal class

1 = S1 (for mineral oil)
4 = S4 (for the resistant fluid)
5 = S5 (for mineral oil and fire resistant fluids)

Design letter

Porting combination (see page 62 - 63)
00 = standard

Direction of rotation (view on shaft end)

R = Clockwise
L = Counter-clockwise

Type of shaft T7EDB

1 = keyed (G45N - ISO 3019-2)

Type of shaft T7EDBS

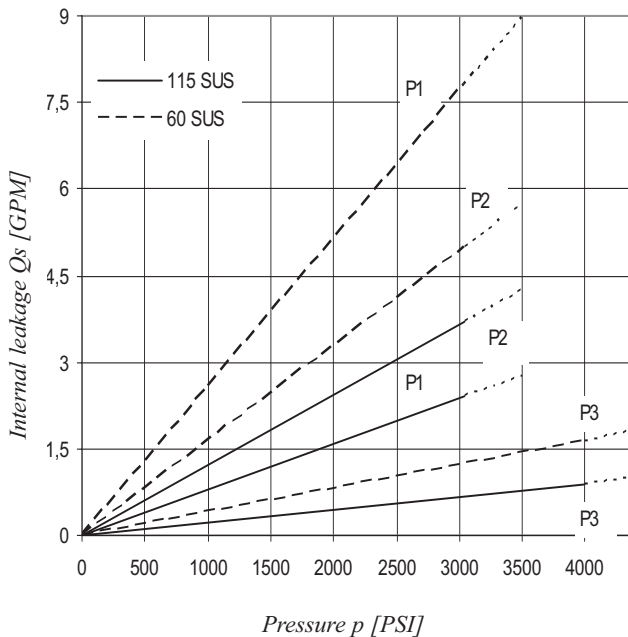
2 = keyed (SAE D & E)
3 = splined 8/16 (SAE D & E)

OPERATING CHARACTERISTICS - TYPICAL [115 SUS]

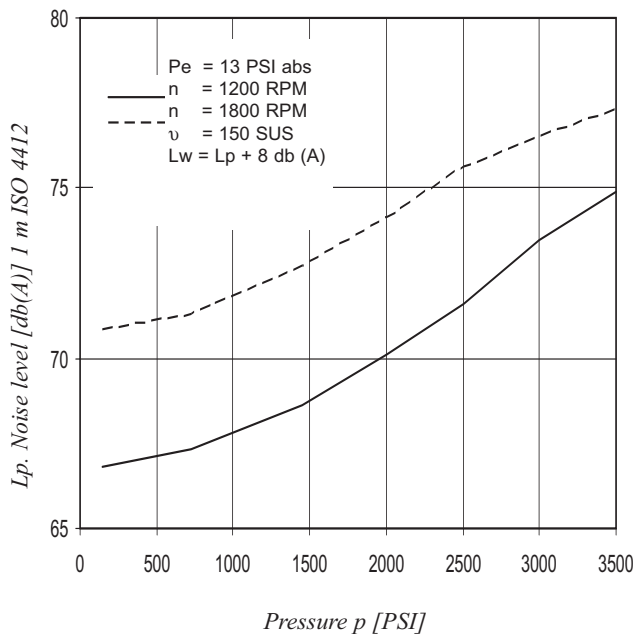
Pressure port	Series	Volumetric Displacement Vi	Flow qVe [GPM] & n = 1800 RPM			Input power P [HP] & n = 1800 RPM		
			p = 0 PSI	P = 2000 PSI	P = 3500 PSI	p = 100 PSI	p = 2000 PSI	p = 3500 PSI
P1	042	8.07 in ³ /rev	62.92	60.37	58.52	8.09	78.44	133.80
	045	8.70 in ³ /rev	67.72	65.17	63.32	8.37	84.04	143.60
	050	9.67 in ³ /rev	75.38	72.83	70.98	8.82	92.97	159.24
	052	10.00 in ³ /rev	78.37	75.82	73.97	8.99	96.47	165.36
	054	10.43 in ³ /rev	81.27	78.72	76.87	9.17	99.75	177.46
	057	11.18 in ³ /rev	87.12	84.57	82.72	9.51	106.57	189.84
	062	12.00 in ³ /rev	93.54	90.99	89.14	9.88	114.17	196.34
	066	13.00 in ³ /rev	101.44	98.89	97.04	10.34	123.38	212.46
	072	13.86 in ³ /rev	108.00	105.45	103.60	10.72	131.04	225.86
	085	16.40 in ³ /rev	127.79	126.13 ¹⁾	-	11.88	101.66 ¹⁾	-
			p = 0 PSI	P = 2000 PSI	P = 3630 PSI	p = 100 PSI	p = 2000 PSI	p = 3630 PSI
P2	B14	2.64 in ³ /rev	20.54	18.81	17.44	3.23	27.56	47.74
	B17	3.30 in ³ /rev	25.68	23.94	22.59	3.53	33.64	58.60
	B20	3.95 in ³ /rev	30.82	29.08	27.71	3.84	39.73	69.46
	B22	4.29 in ³ /rev	33.43	31.69	30.33	3.99	42.82	74.96
	B24	4.86 in ³ /rev	37.85	36.12	34.74	4.25	48.06	84.35
	B28	5.39 in ³ /rev	42.04	40.30	38.94	4.50	53.02	93.20
	B31	5.94 in ³ /rev	46.32	44.58	43.22	4.75	58.09	102.19
	B35	6.80 in ³ /rev	52.98	51.24	49.88	5.15	65.97	116.27
	B38	7.23 in ³ /rev	56.35	54.62	53.26	5.35	69.97	123.37
	B42	8.26 in ³ /rev	64.34	62.61	61.24	5.82	79.43	140.27
		045	8.89 in ³ /rev	69.29	66.90	65.19 ²⁾	6.65	85.16
	050	9.64 in ³ /rev	75.14	72.75	71.56 ³⁾	7.00	92.09	136.87 ³⁾
			p = 0 PSI	p = 2000 PSI	p = 4350 PSI	p = 100 PSI	p = 2000 PSI	p = 4350 PSI
P3	B02	.35 in ³ /rev	2.76	2.31	1.79	0.97	4.53	8.81
	B03	.60 in ³ /rev	4.66	4.21	3.69	1.08	6.78	13.64
	B04	.78 in ³ /rev	6.09	5.64	5.12	1.17	8.47	17.26
	B05	.97 in ³ /rev	7.56	7.11	6.60	1.25	10.22	21.00
	B06	1.20 in ³ /rev	9.32	8.87	8.36	1.36	12.30	25.46
	B07	1.37 in ³ /rev	10.70	10.25	9.73	1.44	13.93	28.96
	B08	1.51 in ³ /rev	11.79	11.34	10.83	1.50	15.23	31.74
	B09	1.70 in ³ /rev	13.27	12.82	12.30	1.59	16.97	35.48
	B10	1.92 in ³ /rev	14.98	14.53	14.01	1.69	19.00	39.83
	B11	2.14 in ³ /rev	16.64	16.19	15.68	1.79	20.97	44.05
	B12	2.47 in ³ /rev	19.26	18.81	18.29	1.95	24.07	50.69
	B14	2.70 in ³ /rev	21.02	20.57	20.05	2.05	26.16	55.15
		B15	3.01 in ³ /rev	23.49	23.04	22.59 ⁴⁾	2.20	29.08

1) 085 = 1300 PSI max. int. 2) 045 = 3500 PSI max. int. 3) 050 = 3000 PSI max. int. 4) B15 = 4060 PSI max. int.

INTERNAL LEAKAGE (TYPICAL)



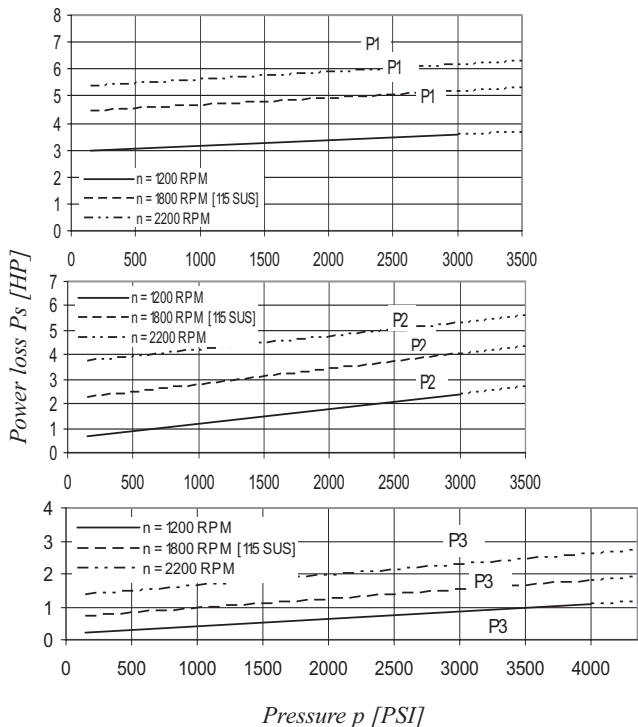
**NOISE LEVEL (TYPICAL)
T7EDB - 062 - B35 - B04**



Do not operate pump more than 5 seconds at any speed or viscosity if internal leakage is higher than 50% of theoretical flow. Total leakage is the sum of each section loss at its operating conditions.

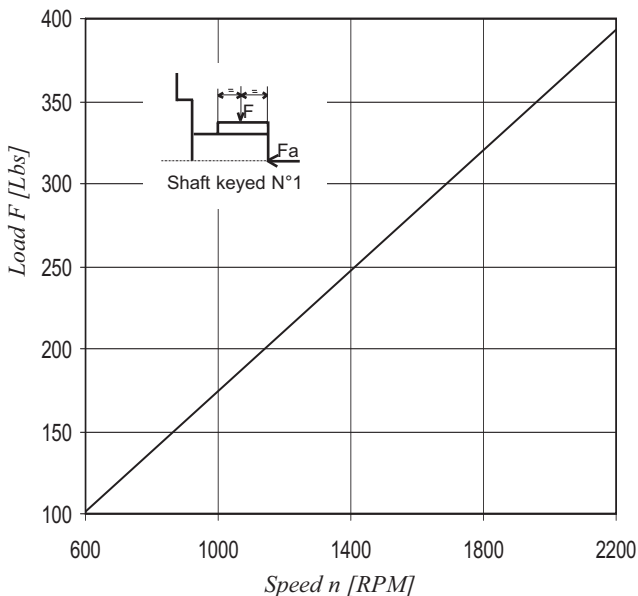
Triple pump noise level is given with each section discharging at the pressure noted on the curve.

HYDROMECHANICAL POWER LOSS (TYPICAL)

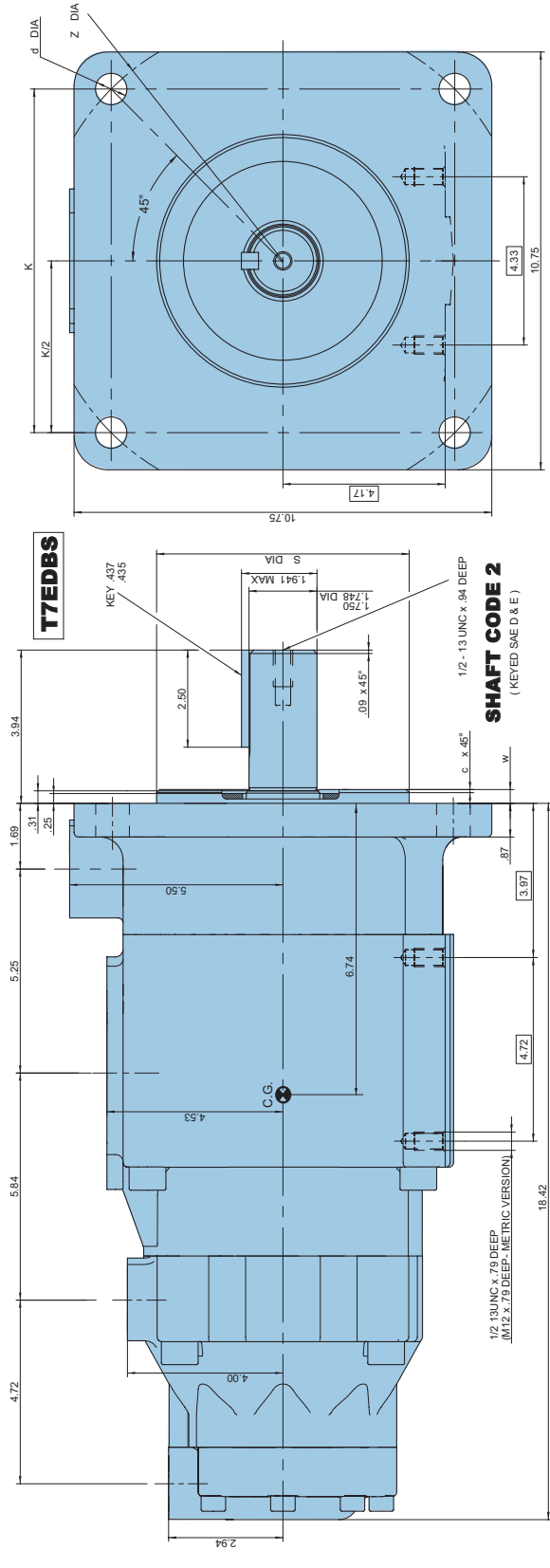
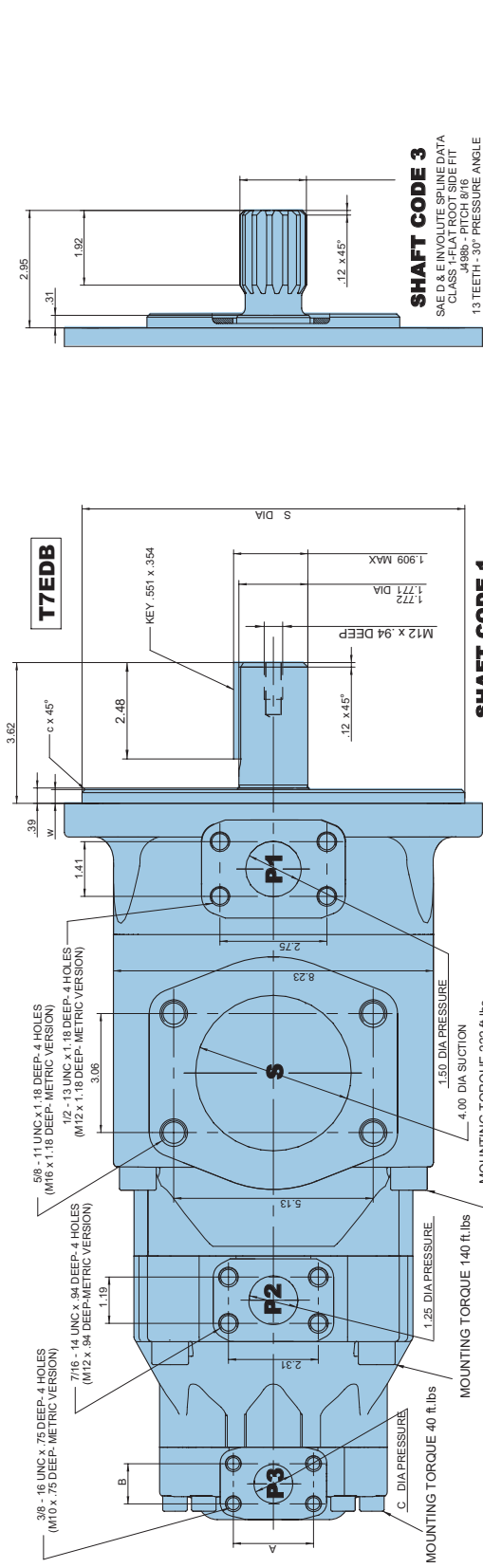


Total hydromechanical power loss is the sum of each section at its operating conditions.

PERMISSIBLE RADIAL LOAD



Maximum permissible axial load $F_a = 449$ Lbs



Alternate connect. variables

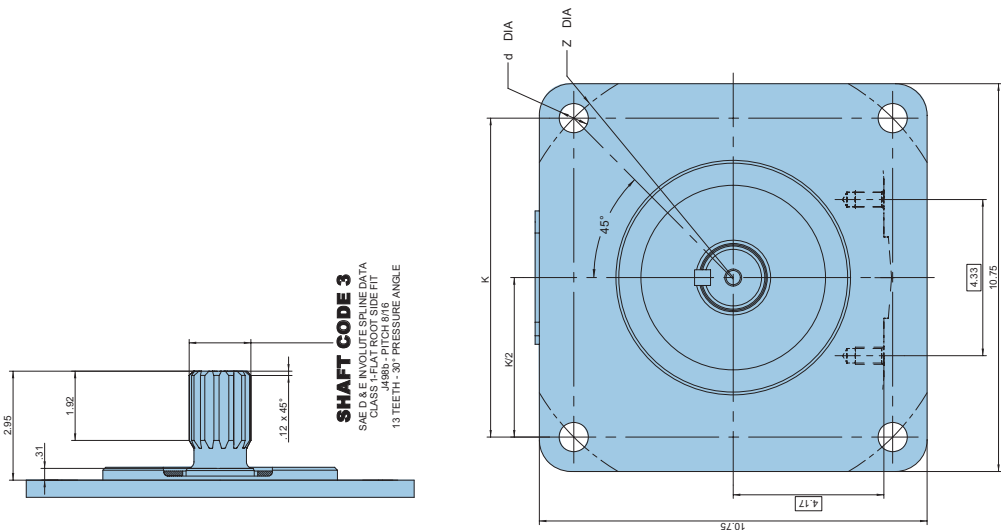
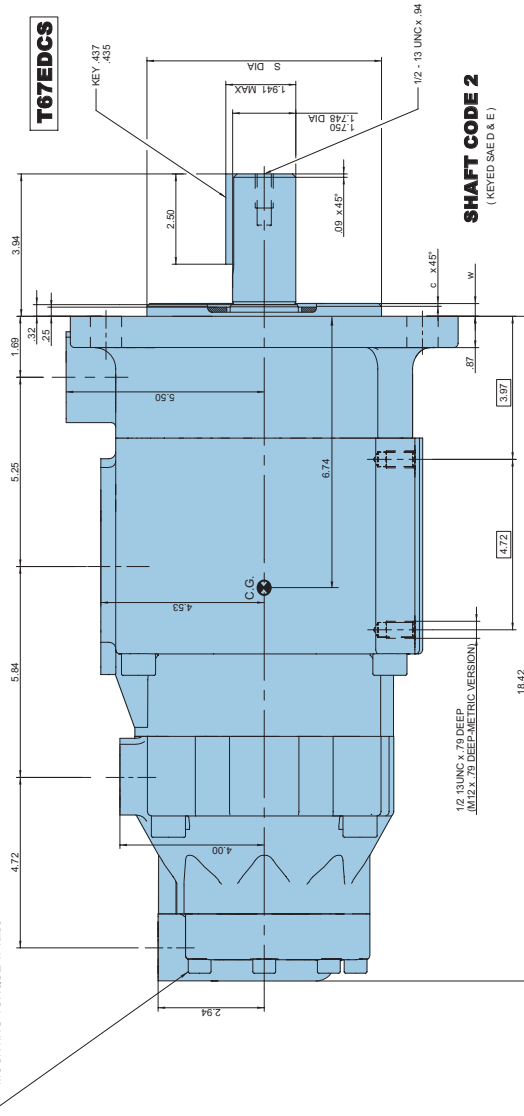
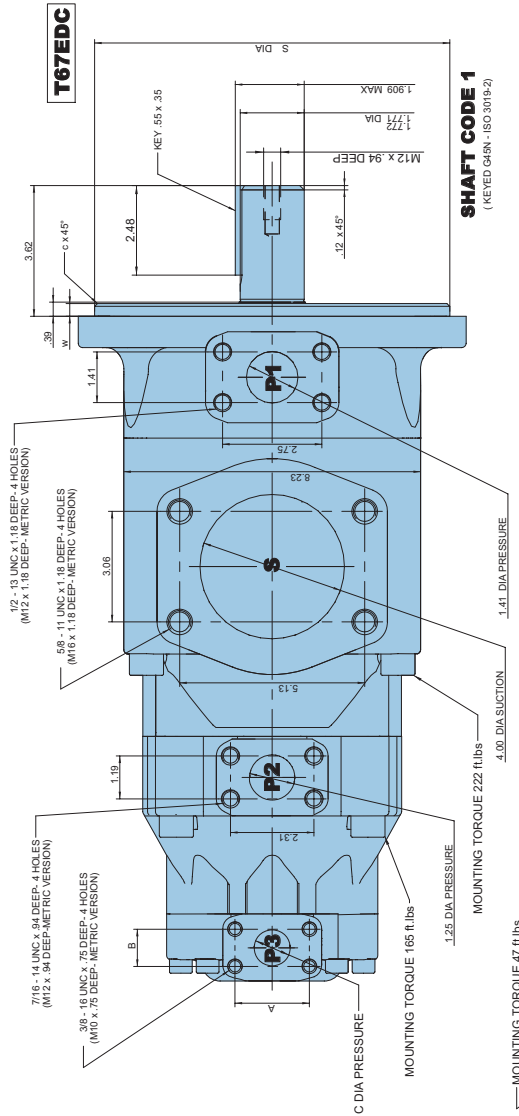
	00 & M0	01 & M1
A	2.063	1.874
B	1.031	.874
C	1.000	.748

Alternate mounting flange

Series	S Dia	e x 45°	W	K	Z Dia	d Dia
T7EDB	Max. 9.842	9.840	.079	.354	-	12.401
T7EDBS	6.500	6.498	.079	.354	8.838	.811

Shaft torque limits [in²/rev. x PSI]

Shaft	V _i x p max. P1 + P2 + P3
1	101506
2	104818
3	112312



Shaft torque limits [in ³ /rev. x PSI]	
Shaft 1	Vi x p max. P1 + P2 + P3
1	101506
2	104818
3	112312

Alternate mounting flange							
Series	S Dia	e x 45°		W	K	Z Dia	d Dia
		Max.	Min.				
T7EDC	9.842	0.840	0.079	.354	-	12.401	.866
T7EDCS	6.500	6.498	0.079	.354	8.838	-	.811

Alternate connect. variables		
	00 & M0	01 & M1
A	2.063	1.874
B	1.031	.874
C	1.000	.748

Model No. **T67EDC or T67EDCS - 062 - B35 - 010 - 1 R 00 - A 1 - M1 - ..**

T67EDC series - 250-B4 HW
ISO 4 bolts 3019-2 mounting flange
T67EDCS series - SAE E
Mounting flange J744

Displacement for "P1"
Volumetric displacement (in³/rev)
042 = 8.07 057 = 11.18
045 = 8.70 062 = 12.00
050 = 9.67 066 = 13.00
052 = 10.00 072 = 13.86
054 = 10.43 085 = 16.40

Displacement for "P2"
Volumetric displacement (in³/rev)
B14 = 2.64 B31 = 5.94
B17 = 3.30 B35 = 6.80
B20 = 3.95 B38 = 7.23
B22 = 4.29 B42 = 8.26
B24 = 4.86 045 = 8.89
B28 = 5.39 050 = 9.64

Displacement for "P3"
Volumetric displacement (in³/rev)
003 = .66 017 = 3.56
005 = 1.05 020 = 3.89
006 = 1.30 022 = 4.29
008 = 1.61 025 = 4.84
010 = 2.08 028 = 5.42
012 = 2.26 031 = 6.10
014 = 2.81

Modifications

Mounting w/connection variables
4 bolts SAE flanges J518

P1 = 1"1/2 - P2 = 1"1/4 - S = 4"		
Type	UNC	Metric
T67EDC - P3 = 1"		M0
T67EDC - P3 = 3/4"		M1
T67EDCS - P3 = 1"	00	M0
T67EDCS - P3 = 3/4"	01	M1

Seal class

1 = S1 (for mineral oil)
4 = S4 (for the resistant fluid)
5 = S5 (for mineral oil and fire resistant fluids)

Design letter

Porting combination

00 = standard

Direction of rotation (view on shaft end)

R = Clockwise
L = Counter-clockwise

Type of shaft T67EDC

1 = keyed (G45N - ISO 3019-2)

Type of shaft T67EDCS

2 = keyed (SAE D & E)
3 = splined (SAE D & E)

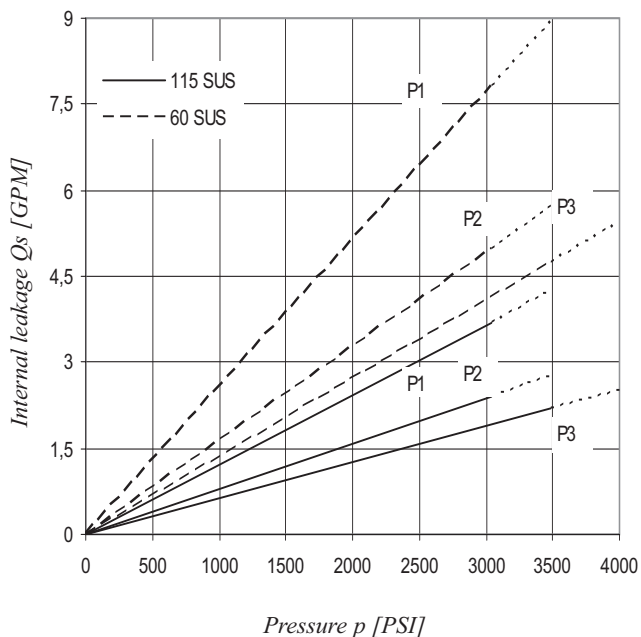
OPERATING CHARACTERISTICS - TYPICAL [115 SUS]

Pressure port	Series	Volumetric Displacement Vi	Flow qVe [GPM] & n = 1800 RPM			Input power P [HP] & n = 1800 RPM		
			p = 0 PSI	P = 2000 PSI	P = 3500 PSI	p = 100 PSI	p = 2000 PSI	p = 3500 PSI
P1	042	8.07 in ³ /rev	62.92	60.37	58.52	8.09	78.44	133.80
	045	8.70 in ³ /rev	67.72	65.17	63.32	8.37	84.04	143.60
	050	9.67 in ³ /rev	75.38	72.83	70.98	8.82	92.97	159.24
	052	10.00 in ³ /rev	78.37	75.82	73.97	8.99	96.47	165.36
	054	10.43 in ³ /rev	81.27	78.72	76.87	9.17	99.75	177.46
	057	11.18 in ³ /rev	87.12	84.57	82.72	9.51	106.57	189.84
	062	12.00 in ³ /rev	93.54	90.99	89.14	9.88	114.17	196.34
	066	13.00 in ³ /rev	101.44	98.89	97.04	10.34	123.38	212.46
	072	13.86 in ³ /rev	108.00	105.45	103.60	10.72	131.04	225.86
	085	16.40 in ³ /rev	127.79	126.13 ¹⁾	-	11.88	101.66 ¹⁾	-
			p = 0 PSI	P = 2000 PSI	P = 3630 PSI	p = 100 PSI	p = 2000 PSI	p = 3630 PSI
P2	B14	2.64 in ³ /rev	20.54	18.81	17.44	3.23	27.56	47.74
	B17	3.30 in ³ /rev	25.68	23.94	22.59	3.53	33.64	58.60
	B20	3.95 in ³ /rev	30.82	29.08	27.71	3.84	39.73	69.46
	B22	4.29 in ³ /rev	33.43	31.69	30.33	3.99	42.82	74.96
	B24	4.86 in ³ /rev	37.85	36.12	34.74	4.25	48.06	84.35
	B28	5.39 in ³ /rev	42.04	40.30	38.94	4.50	53.02	93.20
	B31	5.94 in ³ /rev	46.32	44.58	43.22	4.75	58.09	102.19
	B35	6.80 in ³ /rev	52.98	51.24	49.88	5.15	65.97	116.27
	B38	7.23 in ³ /rev	56.35	54.62	53.26	5.35	69.97	123.37
	B42	8.26 in ³ /rev	64.34	62.61	61.24	5.82	79.43	140.27
	045	8.89 in ³ /rev	69.29	66.90	65.19 ²⁾	6.65	85.16	144.19 ²⁾
050	9.64 in ³ /rev	75.14	72.75	71.56 ³⁾	7.00	92.09	136.87 ³⁾	
			p = 0 PSI	p = 2000 PSI	p = 4000 PSI	p = 100 PSI	p = 2000 PSI	p = 4000 PSI
P3	003	.66 in ³ /rev	5.14	3.85	-	2.11	8.45	-
	005	1.05 in ³ /rev	8.18	6.86	5.68	2.29	12.00	19.81
	006	1.30 in ³ /rev	10.13	8.84	7.63	2.40	14.28	23.79
	008	1.61 in ³ /rev	12.55	11.26	10.05	2.54	17.11	28.75
	010	2.08 in ³ /rev	16.22	14.93	13.71	2.76	21.38	36.22
	012	2.26 in ³ /rev	17.64	16.35	15.14	2.84	23.05	39.14
	014	2.81 in ³ /rev	21.88	20.59	19.37	3.09	27.99	47.78
	017	3.56 in ³ /rev	27.73	26.44	25.22	3.43	34.81	59.73
	020	3.89 in ³ /rev	30.34	29.05	27.84	3.58	37.86	65.07
	022	4.29 in ³ /rev	33.43	32.14	30.93	3.76	41.47	71.38
	025	4.84 in ³ /rev	37.71	36.42	35.21	4.01	46.46	80.12
	028	5.42 in ³ /rev	42.23	40.94	40.32 ³⁾	4.27	51.74	76.73 ³⁾
	031	6.10 in ³ /rev	47.56	46.27	45.65 ³⁾	4.58	57.95	86.06 ³⁾

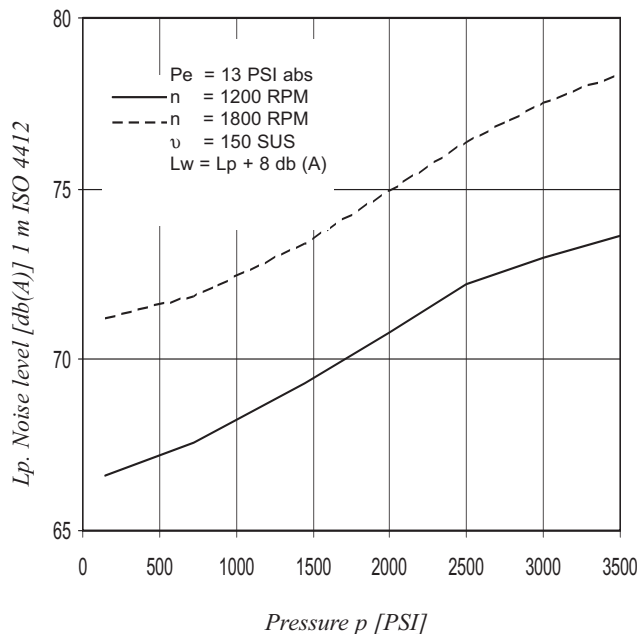
- We do not recommend to use this 003 at 4000 PSI & 1500 RPM as the internal leakage is over 50 % of theoretical flow.

1) 085 = 1300 PSI max. int. 2) 045 = 3500 PSI max. int. 3) 028 - 031 - 050 = 3000 PSI max. int.

INTERNAL LEAKAGE (TYPICAL)



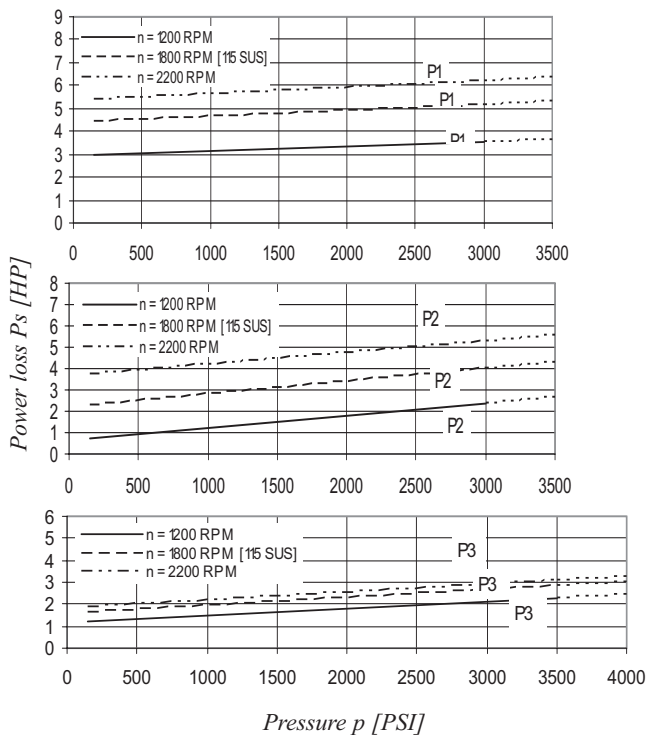
**NOISE LEVEL (TYPICAL)
T67EDCS - 062 - B35 - 022**



Do not operate pump more than 5 seconds at any speed or viscosity if internal leakage is higher than 50% of theoretical flow. Total leakage is the sum of each section loss at its operating conditions.

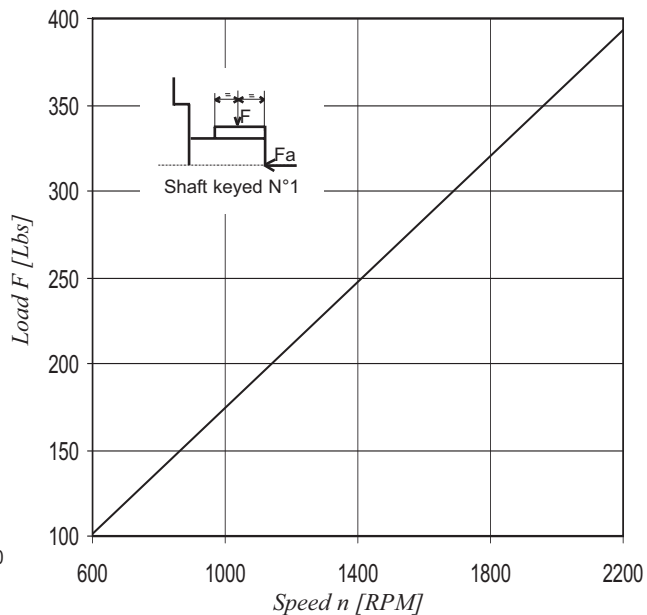
Triple pump noise level is given with each section discharging at the pressure noted on the curve.

HYDROMECHANICAL POWER LOSS (TYPICAL)



Total hydromechanical power loss is the sum of each section at its operating conditions.

PERMISSIBLE RADIAL LOAD



Maximum permissible axial load $F_a = 449$ Lbs

T7BB/T7BBS

T6CC

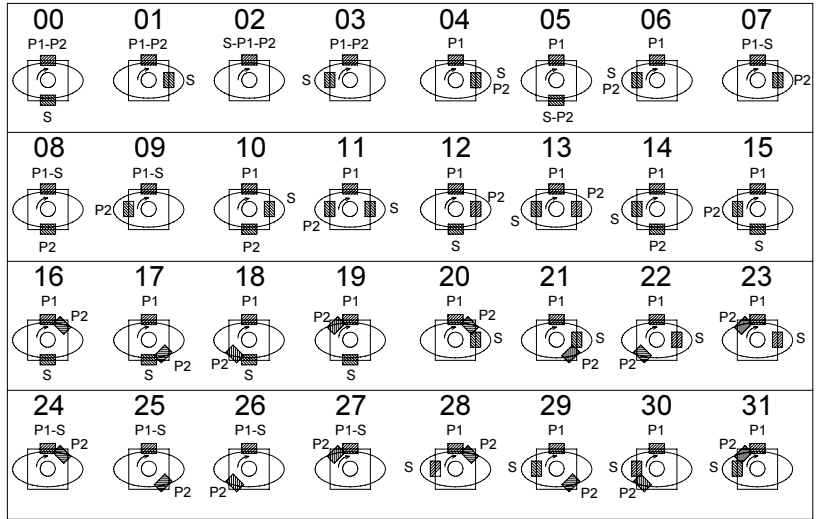
T67CB

T7DB/T7DBS

T67DC

T7EB/T7EBS

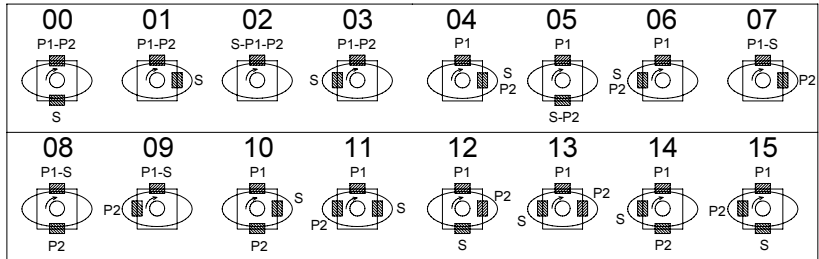
T67EC



T7DD/T7DDS

T7ED/T7EDS

T7EE/T7EES



T67DBB

T67DCB

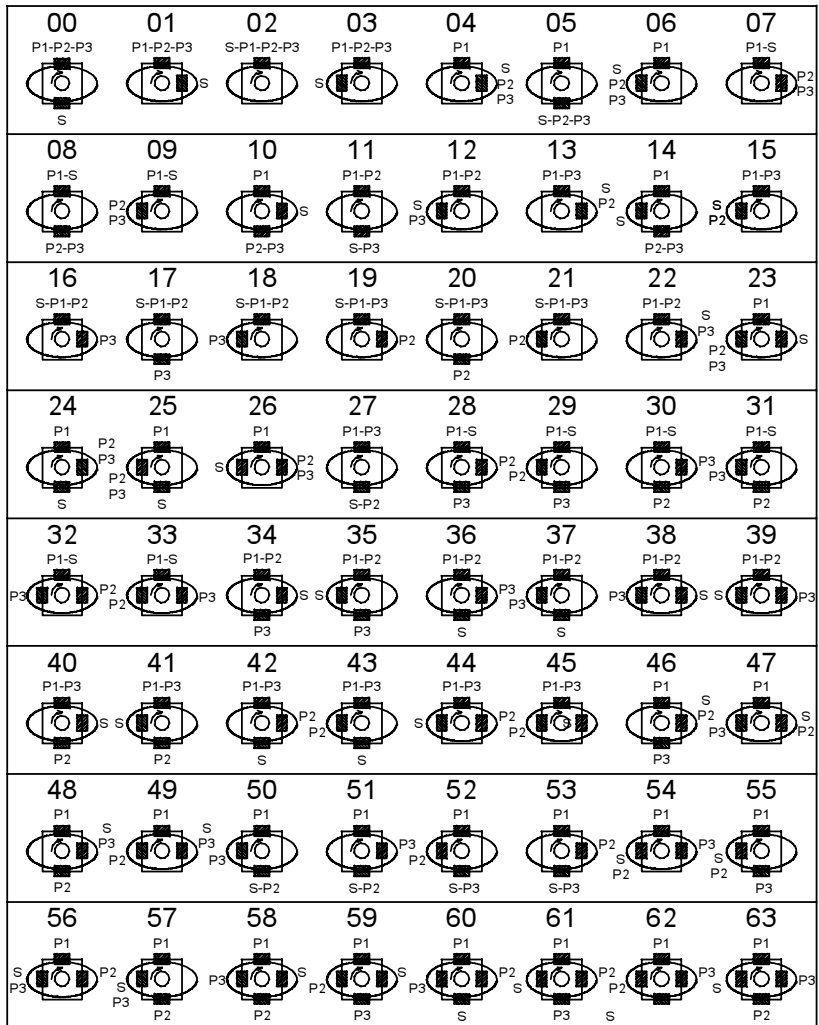
T67DCC

T7DDB/T7DDBS

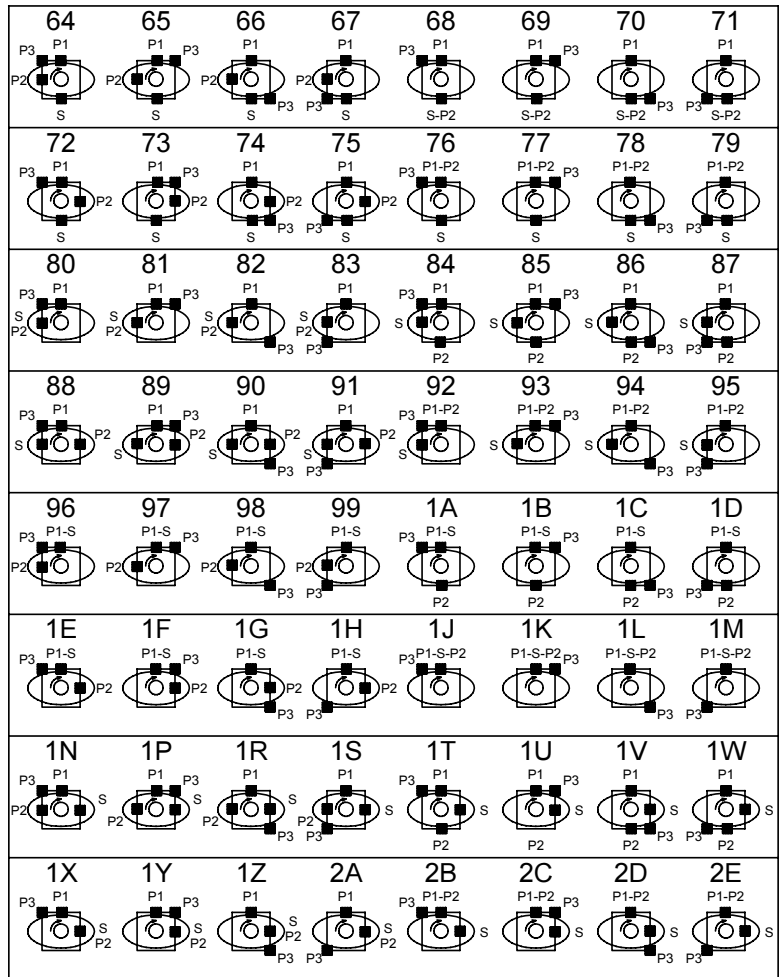
T67DDCS

T7EDB/T7EDBS

T67EDC/T67EDCS



T67DBB
 T67DCB
 T67DCC
 T7DDB/T7DDBS
 T67DDCS
 T7EDB/T7EDBS
 T67EDC/T67EDCS



	S	P2	P3				P2	P3			
			02	16	17	18		20	30	08	31
			19	07	28	32		21	33	29	09
			01	22	34	38		40	48	10	58
			13	04	46	47		45	49	59	23
			00	36	11	37		27	51	05	50
			42	24	53	60		43	62	52	25
			03	39	35	12		41	63	14	57
			44	26	61	56		15	54	55	06