

# MAR900 series

AIR UNITS (R. UNIT)



mindman

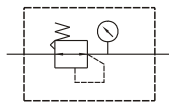


- MAR900 reducing the system pressure to a desired level and maintain it at a constant level despite change in inlet pressure and changes in downstream flow requirements.

## Specification

| Model                          | MAR900                 |
|--------------------------------|------------------------|
| Bore No.                       | 40A                    |
| Port size                      | 1 1/2                  |
| Medium                         | Air                    |
| Max. operating pressure        | 2.1 MPa                |
| Regulated pressure range       | 0.09~0.86 MPa          |
| Ambient temperature            | 0~+80°C (No freezing)  |
| Standard nominal flow rate (※) | 11000 ℓ/min            |
| Attachment                     | Pressure gauge (PG-50) |
| Weight                         | 1208 g                 |

## Symbol



## Order example

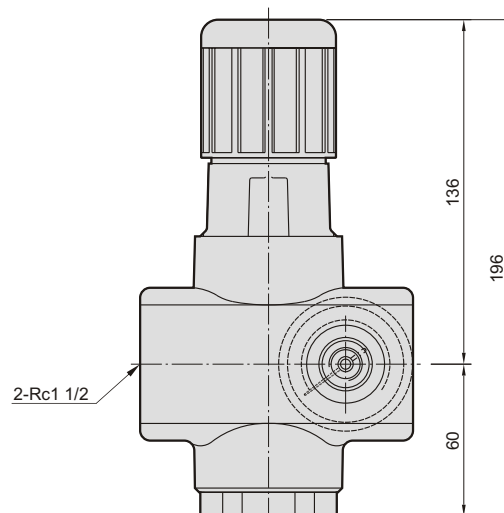
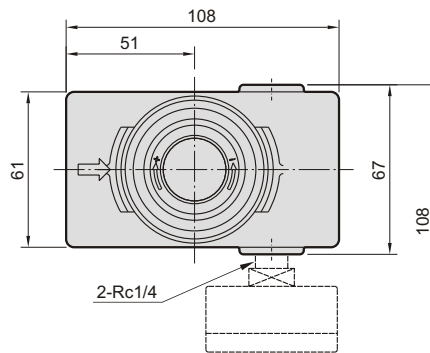
MAR900 — 40A — □

MODEL

BORE SIZE  
40A: 1 1/2

PORT THREAD  
Blank: Rc thread  
G: G thread  
NPT: NPT thread

※ Flow is at 1 MPa supply pressure and 0.1 MPa pressure drop of 0.6 MPa of secondary pressure.



mindman