



Hydraulic Axial Piston Polyurethane Metering Rexroth A2VK Pump

A2VK12, A2VK28, A2VK55, A2VK107 pump

www.hydpump.com



Open or Closed Circuit Functions
Type A2VK12, A2VK28, A2VK55, A2VK107
Series 1 and 4
Nominal pressure 250 bar
Maximum pressure 315 bar
Polyurethane metering pump



Features

- Chemical Froth Hydraulic Axial Piston Polyurethane Metering Pump
- High metering accuracy and reproducibility of the variable pumped volumes
- Robust manual adjustment via hand wheel with integral precision measuring scale
- Operating pressure up to 250 bar
- Low pulsation of the pumped medium
- Pump components are compatible with the pumped media (polyol, isocyanate) due to special pairings of materials and sealing elements
- Low-noise
- Excellent volumetric efficiency for high metering accuracy
- Double shaft seals with buffer fluid ports to guarantee safe operation (and protect the environment)
- With corrosion protection

Ordering code

A2VK 12 MA O R 4 G 0 P E 2 - *

Axial piston unit

Variable pump **A2VK**

Size

\triangle Displacement $V_{g \max}$ in cm^3	12	28	55	107
--	-----------	-----------	-----------	------------

Control device

Manual adjustment **MA**

Operating mode

Open circuit	O
Closed circuit	G

Direction of rotation

Looking onto drive shaft	clockwise	R
	anti-clockwise	L

Series

Size 28-107	1
Size 12	4

Model

Enclosed pump **G**

Valve attachment

Without valve attached	0
Pressure limiting valve attached	1

Drive shaft

Cylindrical with key **P**

Swivel angle

One-sided **E**

Handwheel assembly version

Looking onto drive shaft	left side	1
	right side	2

Corrosion-protected version

SO2

Technical data

Fluid

The pump pumps and meters fluids for manufacturing polyurethane (polyol and isocyanate components).

Operating viscosity range

The following limit conditions apply:

v_{\min} _____ 1 mm²/s,

v_{\max} _____ 2000 mm²/s

Please contact us if higher values are required.

Operating temperature range

Optimum operating temperature range t _____ 10-50°C

Maximum operating temperature t_{\max} _____ 80°C

The permitted working temperature depends on the lubricity of the fluid. The maximum fluid temperature must not be exceeded even locally (e.g. no more than 5K over the leakage fluid temperature).

Filtering the fluid

The filter should be arranged so that only filtered fluid enters the pump. The finer the filter, the longer the service life of your axial piston pump.

We recommend a filter grade $\eta_{\text{abs.}} \leq$ _____ 125 μm

Operating pressure range

Input

Open circuit:

Max. filling pressure at the port S $p_{\max \text{ abs.}}$ _____ 10 bar

Min. filling pressure at the port S $p_{\min \text{ abs.}}$ _____ 1 bar

The pump must always be filled completely.

Closed circuit:

Leakage fluid pressure $p_{\max \text{ abs.}}$ _____ 10 bar

Max. intermittent cumulative pressure A + B p_{\max} _____ 250 bar

Output

Maximum pressure at port A or B
(pressure data according to DIN 24312)

Nominal pressure p_N _____ 250 bar

Maximum pressure p_{\max} _____ 315 bar

Leakage fluid

Max. leakage fluid pressure $p_{L \text{ max}}$ _____ 10 bar

In the closed circuit, pump ports A and B are separated from the housing space. The leakage fluid must be removed via port T₁ or T₂ using a separate line.

In the open circuit, the suction port S is connected to the housing space. There is no need for a line for the leakage fluid. Ports T₁ and T₂ are plugged. The filling pressure at port S acts on the shaft sealing ring via the housing space.

The service life of the shaft sealing ring decreases as the pressure of the leakage fluid or the filling pressure at port S increases.

Through put flow

Swivel direction	Direction of rotation "clockwise"		Direction of rotation "anti-clockwise"	
	open circuit	closed circuit	open circuit	closed circuit
clockwise	S to B A plugged	A to B	S to A B plugged	B to A
anti-clockwise	S to A B plugged	B to A	S to B A plugged	A to B

Installation position

Any. The pump must be completely filled with fluid. If installed with the shaft pointing upwards, the top leakage fluid port must be connected to the housing for both types of circuit to ensure that the housing is vented in the vicinity of the bearing.

Preferred installation position: drive shaft horizontal

The adjustment display in the hand wheel can only be guaranteed to work if the adjusting spindle is installed -30° to +30° from the horizontal.

Technical data

Table of values

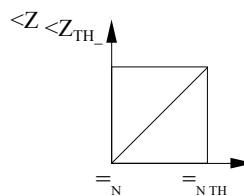
Size				12	28	55	107
Displacement	$V_{g \max}$		cm^3	11.6	28.1	54.8	107
Flow ¹⁾ at speed n	$q_{v \max}$	n = 735 rpm	l/min	8.3	20	39.1	76.3
		n = 970 rpm	l/min	10.9	26.4	51.6	100.7
		n = 1450 rpm	l/min	16.3	39.5	77.1	150.5
		n = 1800 rpm	l/min	20.3	49.1	95.7	186.8
Power at $\Delta p = 250$ bar and speed n	P_{\max}	n = 735 rpm	kW	3.4	8.3	16.3	31.8
		n = 970 rpm	kW	4.5	11	21.5	41.9
		n = 1450 rpm	kW	6.8	16.5	32.1	62.7
		n = 1800 rpm	kW	8.4	20.4	39.9	77.8

¹⁾ Includes 3% loss of displacement

Control unit MA

Turning the handwheel turns a self-locking threaded spindle which steplessly adjusts the pump's swivel section, and thus the volumetric flow in the range from V_{g0} to $V_{g \max}$.

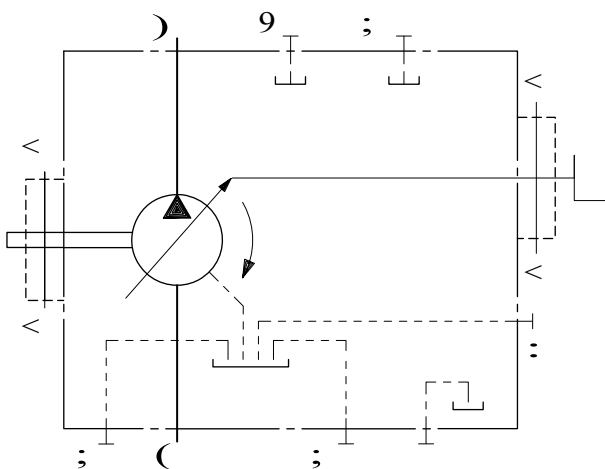
Characteristic



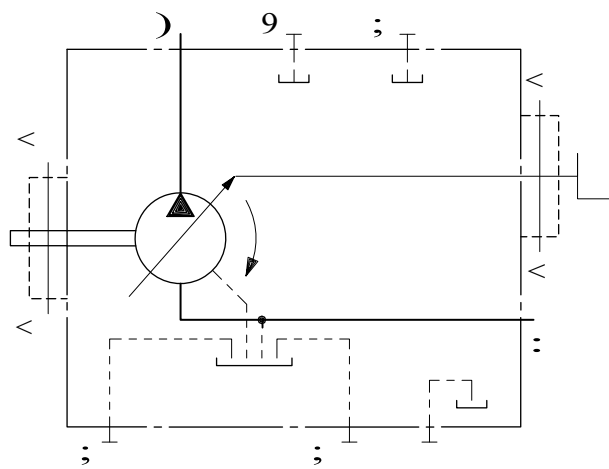
		12	28	55	107
Hand wheel turns from V_{g0} to $V_{g \max}$	U_s	10.6	12.7	16	13.4
Max. hand wheel adjustment force F_{\max}	N	70	70	80	120
Mass, approx. (pump with control unit)	kg	19	36	64	117

Circuit diagram

closed circuit

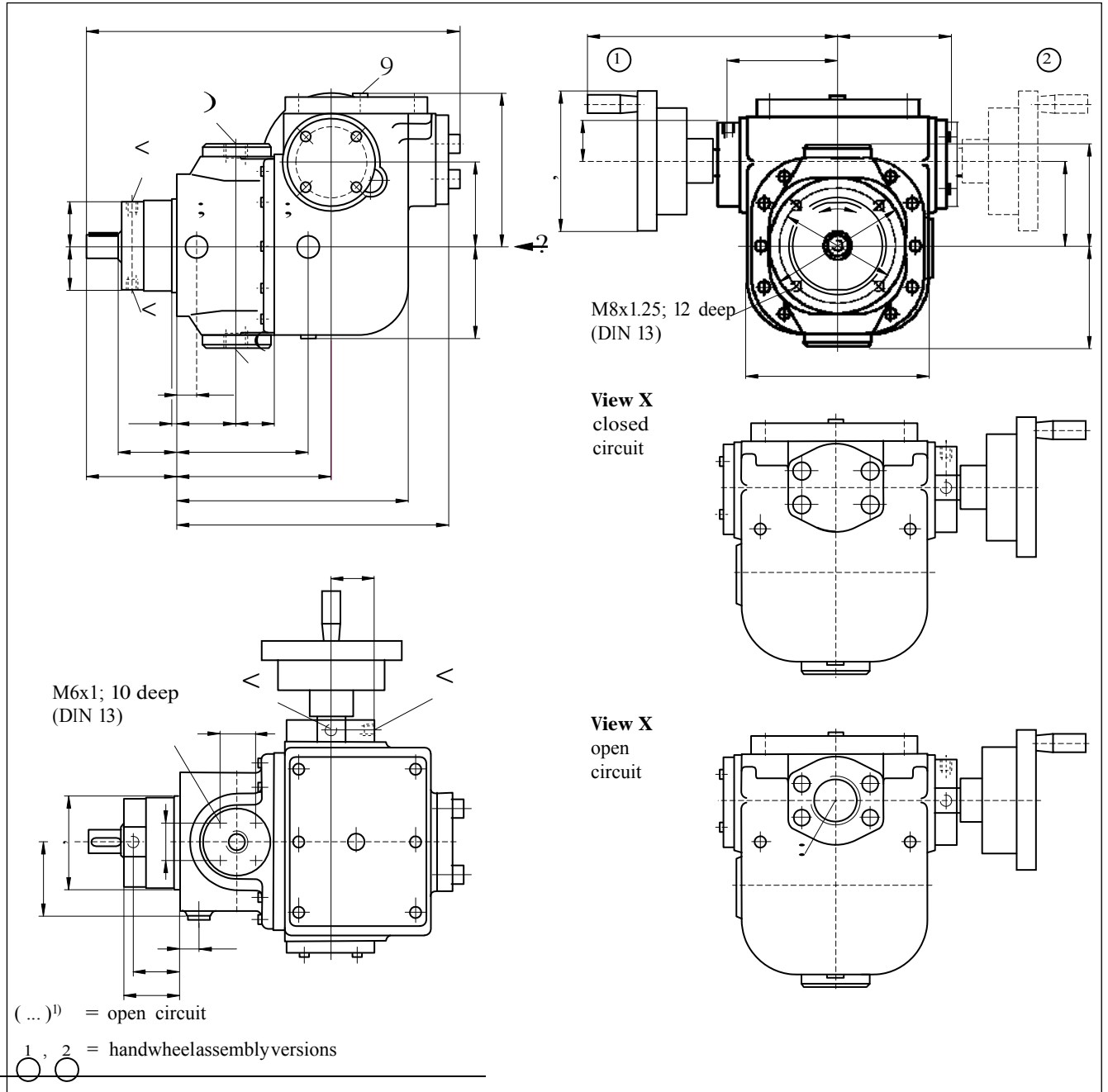


open circuit



Dimensions size 12

Before finalizing your design, request a binding installation drawing. Dimensions in mm.



Ports

A, B	Service line ports	M22x1.5 ⁴⁾
S	Suction port ²⁾	G1 1/4 ⁵⁾
T ₁ , T ₂	Leakage port ³⁾	M12x1.5 ⁴⁾
R	Airbleed ³⁾	M12x1.5 ⁴⁾
U ₁ -U ₄	Ports for buffer fluid	M10x1; 8 deep ⁴⁾

²⁾ plugged in the closed circuit

³⁾ plugged

⁴⁾ DIN 3852

⁵⁾ DIN ISO 228

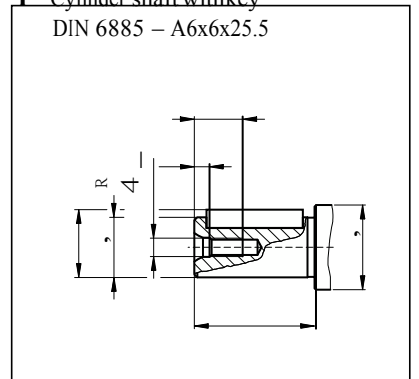
⁶⁾ centering hole to DIN 332

Tightening torque, max.

M22x1.5 ⁴⁾	210 Nm
G1 1/4 ⁵⁾	720 Nm
M12x1.5 ⁴⁾	50 Nm
M12x1.5 ⁴⁾	50 Nm
M10x1; 8 deep ⁴⁾	30 Nm

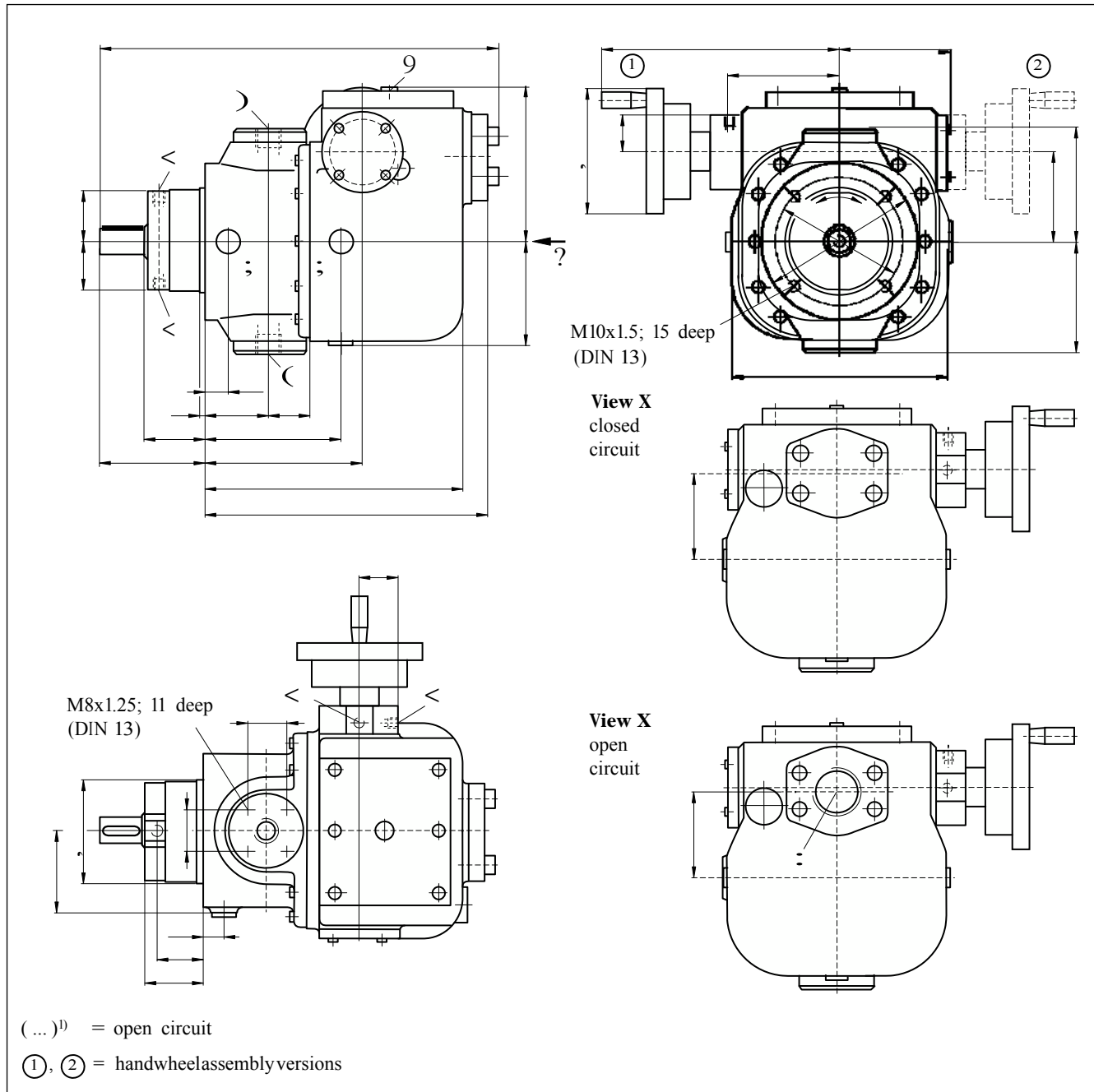
Drive shaft

P Cylinder shaft withkey
DIN 6885 – A6x6x25.5



Dimensions size 28

Before finalizing your design, request a binding installation drawing. Dimensions in mm.



Ports

		Tightening torque, max.	
A, B	Service line ports	M27x2 ⁴⁾	330 Nm
S	Suction port ²⁾	G1 1/2 ⁵⁾	960 Nm
T ₁ , T ₂	Leakage port ³⁾	M16x1.5 ⁴⁾	100 Nm
R	Airbleed ³⁾	M12x1.5 ⁴⁾	50 Nm
U ₁ -U ₄	Ports for buffer fluid	M10x1; 8 deep ⁴⁾	30 Nm

²⁾ plugged in the closed circuit

³⁾ plugged

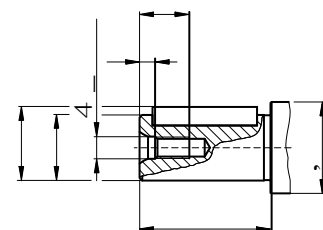
⁴⁾ DIN 3852

⁵⁾ DIN ISO 228

⁶⁾ centering hole to DIN 332

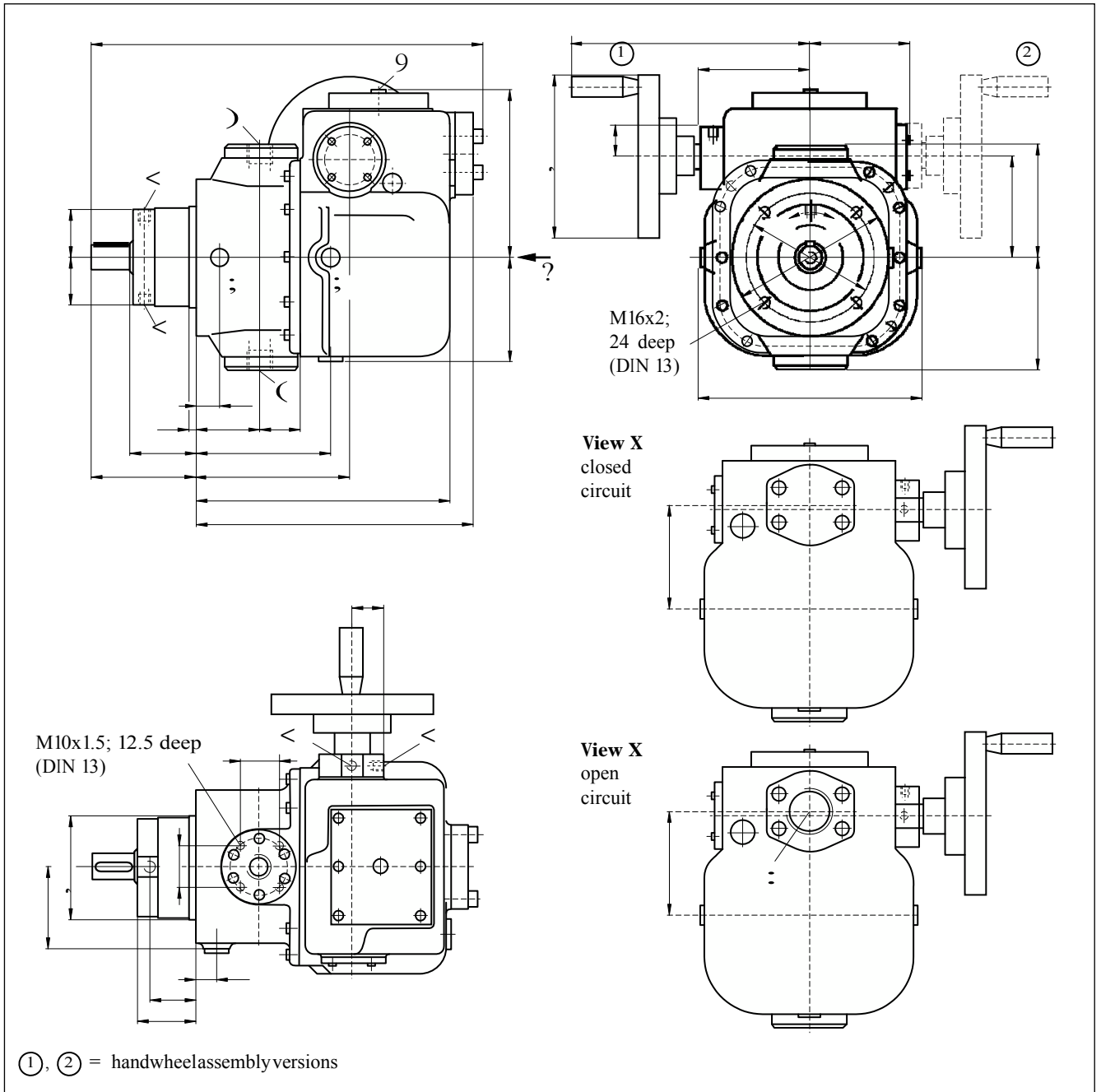
Drive shaft

P Cylinder shaft with key
 DIN 6885 – AS8x7x40



Dimensions size 55

Before finalizing your design, request a binding installation drawing. Dimensions in mm.

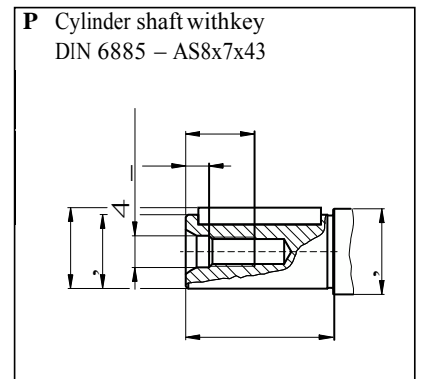


Ports

Port	Description	Thread	Tightening torque, max.
A, B	Service line ports	M33x2 ³⁾	540 Nm
S	Suction port ¹⁾	G2 ⁴⁾	1200 Nm
T ₁ , T ₂	Leakage port ²⁾	M18x1.5 ³⁾	140 Nm
R	Airbleed ²⁾	M12x1.5 ³⁾	50 Nm
U ₁ -U ₄	Ports for buffer fluid	M10x1; 8 deep ³⁾	30 Nm

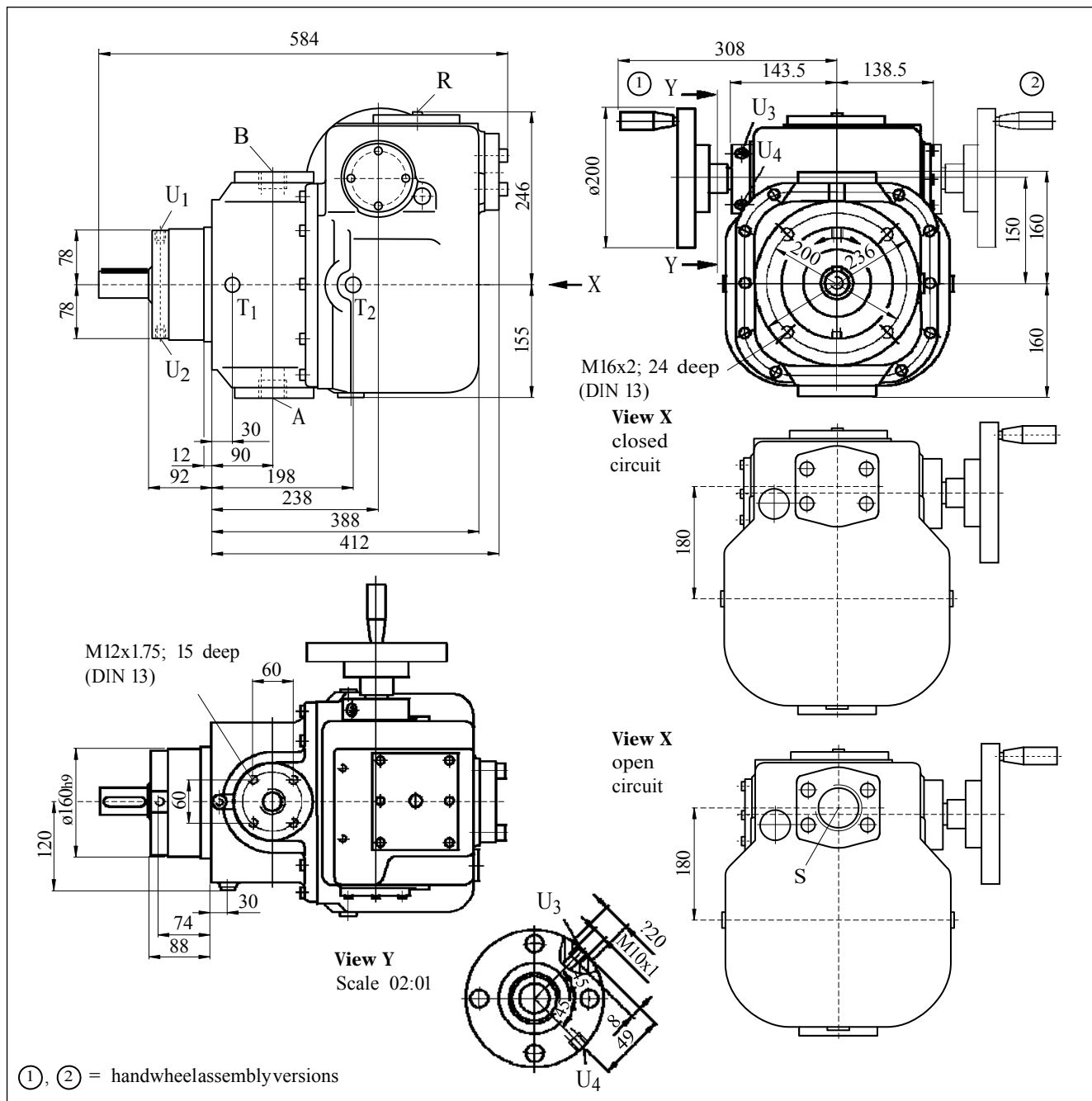
- 1) plugged in the closed circuit
- 2) plugged
- 3) DIN 3852
- 4) DIN ISO 228
- 5) centering hole to DIN 332

Drive shaft



Dimensions size 107

Before finalizing your design, request a binding installation drawing. Dimensions in mm.

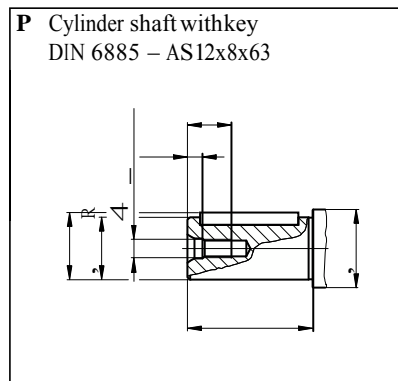


Ports

Port	Description	Thread	Tightening torque, max.
A, B	Service line ports	M42x2 ³⁾	720 Nm
S	Suction port ¹⁾	G2 1/2 ⁴⁾	2000 Nm
T ₁ , T ₂	Leakage port ²⁾	M18x1.5 ³⁾	140 Nm
R	Airbleed ²⁾	M12x1.5 ³⁾	50 Nm
U ₁ -U ₄	Ports for buffer fluid	M10x1; 8 deep ³⁾	30 Nm

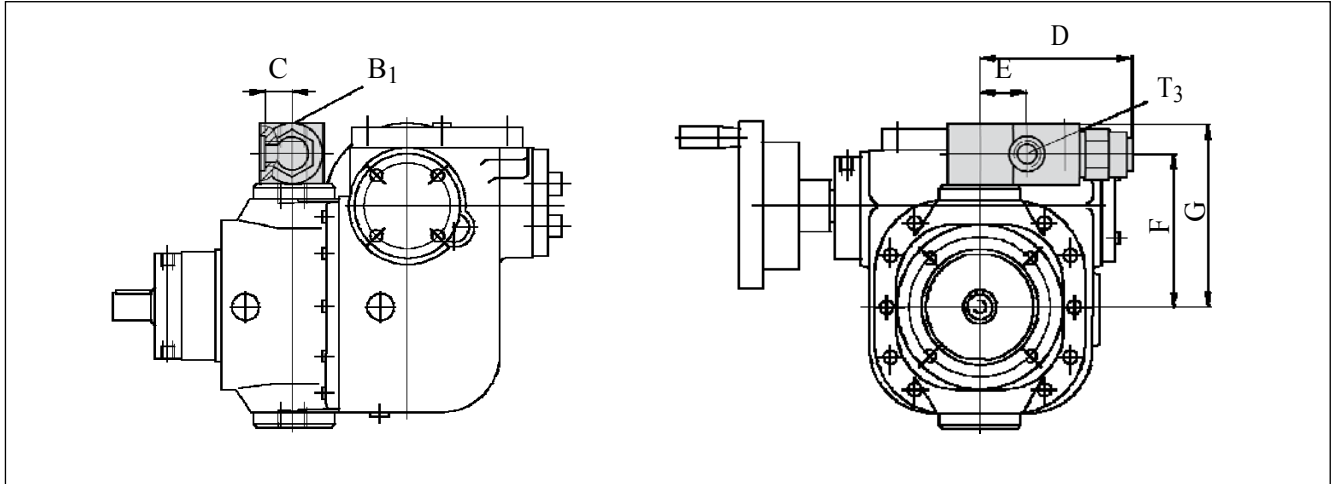
- ¹⁾ plugged in the closed circuit
- ²⁾ plugged
- ³⁾ DIN 3852
- ⁴⁾ DIN ISO 228
- ⁵⁾ centering hole to DIN 332

Drive shaft



Pressure limiting valve attached

Before finalizing your design, request a binding installation drawing. Dimensions in mm.



Size	C	D	E	F	G	Service line port B ₁ ¹⁾	Tightening torque, max.	Return port T ₃ ¹⁾	Tightening torque, max.
12	25	109	32	108	131	M22x1.5; 14 deep	210 Nm	M18x1.5; 12 deep	140 Nm
28	26.5	121	40	131	156	M27x2; 16 deep	330 Nm	M22x1.5; 14 deep	210 Nm
55	31.5	133.5	46	160.5	188.5	M33x2; 18 deep	540 Nm	M27x2; 16 deep	330 Nm
107	38.5	174	58	192.5	225	M42x2; 20 deep	720 Nm	M33x2; 20 deep	540 Nm

¹⁾ DIN 3852

Details model of Rexroth A2VK pump					
R902000250	A2VK55MAGR1G0PE1	R909063496	A2VK28OVOR1G00P	R902070571	A2VK12OVGW4G00P-SO
R902000251	A2VK55MAGR1G0PE2-SO	R909064723	A2VK55OVOR1G00P	R902070940	A2VK28OVGW1G00P-SO
R902000252	A2VK55GEOR1G0PE2-SO	R909065157	A2VK28OVGR1G00P	R902070941	A2VK28OVOL1G00P-SO
R902000253	A2VK55GEOR1G0PE1-SO	R909070964	A2VK55OVGR1G00P	R902070943	A2VK55OVGL1G00P-SO2
R902004079	A2VK12MAOR4G1PE1-SO2	R909076531	A2VK28OVGR1G00P	R902073966	A2VK28MAGL1G0PE1-SO
R902004081	A2VK12MAOR4G1PE2-SO2	R909081581	A2VK107MA/GE	R902073985	A2VK12MAOL4G0PE1-SO2
R902004352	A2VK12MAGR4G1PE1-SO2	R909081600	A2VK55OVOR1G00P-SO	R902073999	A2VK107MAOL1G0PE1-SO
R902004353	A2VK28MAGR1G1PE1-SO2	R909081716	A2VK12OVOR4G00P-SO	R902078760	A2VK12MAGR4G1PE1-SO11
R902004354	A2VK28MAOR1G1PE1-SO2	R909081903	A2VK28OVGR1G00P-SO	R902080650	A2VK55OVOL1G00P-SO2
R902004355	A2VK55MAGR1G1PE1-SO2	R909081904	A2VK28OVOR1G00P-SO	R902080651	A2VK55MAOL1G0PE2-SO2
R902009694	A2VK28GEOR1G0PE2-SO7	R909081905	A2VK55OVGR1G00P-SO	R902080653	A2VK107OVOL1G00P
R902009895	A2VK28MAOR1G1PE2-SO2	R909081906	A2VK107OVGR1G00P	R902080654	A2VK107MAOR1G0PE2-SO2
R902014085	A2VK12GEOR4G1PE1-SO10	R909416620	A2VK28OVOR1G00P	R902080731	A2VK12MAOR4G1PE2-SO7
R902014086	A2VK28GEOR1G1PE1-SO10	R909417793	A2VK28OVGR1G00P	R902084059	A2VK28MAOL1G1PE2-SO2
R902014299	A2VK28GEGW1G0PE1-SO	R909442492	A2VK12OVOR4G00P-SO2	R902084061	A2VK12MAOL4G1PE2-SO2
R902018193	A2VK107GEOR1G1PE1-SO4	R909442566	A2VK28OVGR1G00P-SO2	R902084124	A2VK107MAOR1G0PE2-SO2
R902021874	A2VK55OVOR1G00P-SO10	R909442567	A2VK28OVOR1G00P-SO2	R902086544	A2VK12MAOR4G1PE1-SO7
R902021875	A2VK55MAOR1G1PE1-SO10	R909442588	A2VK55OVOR1G00P-SO2	R902086610	A2VK28OVGR1G00P-SO12
R902024706	A2VK28MAOR1G1PE1-SO7	R909442660	A2VK107OVGR1G00P	R902086611	A2VK28GEGR1G0PE1-SO16
R902024707	A2VK28MAOR1G1PE2-SO7	R909442661	A2VK107OVOR1G00P	R902088528	A2VK12GEGR4G0PE1-SO6
R902024765	A2VK12MAOR4G0PE2-SO2	R909446008	A2VK12MAOR4G0PE1-SO3	R902092011	A2VK28MAOR1G0PE1-ES02
R902024800	A2VK55MAGR1G1PE1-SO10	R909446009	A2VK28MAOR1G0PE1-SO3	R902101233	A2VK28MAOL1G0PE1-SO2
R902024879	A2VK55MAGR1G1PE1	R909446046	A2VK28MAOR1G0PE2-SO3	R909605536	A2VK107MAOR1G0PE2-SO7
R902024881	A2VK55MAGR1G1PE2	R909446351	A2VK28MAOR1G0PE1-SO2	R909604865	A2VK107MAOR1G0PE1-SO
R902027140	A2VK12MAGR4G1PE2-SO2	R909446352	A2VK55MAOR1G0PE1-SO2	R909604891	A2VK28MAGR1G0PE1-SO9
R902027141	A2VK28MAGR1G1PE2-SO2	R909447014	A2VK12MAOR4G0PE2-SO7	R909604892	A2VK28MAGR1G0PE2-SO9
R902028554	A2VK28MAOR1G0PE2-SO2	R909447017	A2VK12MAOR4G0PE1-SO7	R909604911	A2VK28MAOR1G1PE1
R902028557	A2VK107MAOR1G1PE1-SO2	R909447063	A2VK28MAOR1G0PE2-SO7	R909604912	A2VK12MAGR4G0PE2
R902028558	A2VK107MAOR1G1PE2-SO2	R909447064	A2VK28MAOR1G0PE1-SO7	R909604913	A2VK12MAOR4G0PE2
R902031610	A2VK12MAGL4G0PE2	R909447172	A2VK12MAOR4G0PE1-SO2	R909604914	A2VK107MAOR1G1PE2
R902031665	A2VK28MAOL1G0PE1-SO	R909447193	A2VK12MAGR4G0PE1-SO2	R909604952	A2VK12MAOR4G0PE1-SO9
R902033112	A2VK12GEGW4G1PE1-SO	R909447194	A2VK28MAGR1G0PE1-SO2	R909604986	A2VK12MAGR4G0PE2-SO
R902033114	A2VK28GEGR1G0PE1-SO6	R909447290	A2VK55GEOR1G0PE1-SO6	R909604987	A2VK12MAOR4G0PE2-SO
R902034181	A2VK12MAGR4G0PE1-SO11	R909447432	A2VK28GEOR1G0PE1-SO6	R909604988	A2VK28MAGR1G0PE1-SO
R902035132	A2VK12GEGW4G0PE1-SO	R909447718	A2VK12GEOR4G0PE1-SO6	R909604989	A2VK28MAOR1G0PE2-SO
R902035184	A2VK28OVOR1G00P-SO61	R909448100	A2VK12MAGR4G1PE1-SO3	R909605114	A2VK12MAGR4G0PE1-SO9
R902035185	A2VK28GEOR1G0PE1-SO61	R909448595	A2VK107MAOR1G0PE1-SO2	R909605115	A2VK12MAGR4G0PE2-SO9
R902036627	A2VK28OVGR1G00P-SO	R909603350	A2VK12MAOR4G1PE2-SO8	R909605128	A2VK12GEGR4G0PE1-SO
R902036628	A2VK28MAGW1G0PE1-SO	R909603364	A2VK12MAOR4G0PE1-SO8	R909605243	A2VK12MAGR4G0PE1-SO10
R902036692	A2VK12MAGR4G0PE2-SO10	R909603406	A2VK12MAGR4G1PE1-SO8	R909605251	A2VK28OVOR1G0PE-SO9
R902036991	A2VK28MAOL1G0PE2-SO	R909603462	A2VK12MAOR4G1PE1-SO8	R909605252	A2VK28MAOR1G0PE1-SO10
R902038629	A2VK55MAGR1G0PE2-SO2	R909603547	A2VK28MAGR1G0PE1-SO8	R909605307	A2VK12MAOR4G1PE1-SO12
R902042042	A2VK55MAOR1G0PE2-SO2	R909603595	A2VK55MAOR1G0PE2-SO7	R909605308	A2VK12MAOR4G1PE2-SO12
R902043533	A2VK107MAGR1G1PE1-SO	R909603596	A2VK55MAOR1G0PE1-SO7	R909605327	A2VK28OVOR1GPE-SO12
R902043534	A2VK107MAGR1G1PE2-SO	R909603618	A2VK107GEOR1G0PE1-SO6	R909605335	A2VK28MAOR1G0PE1-SO12
R902043851	A2VK55MAGL1G0PE1-SO2	R909603682	A2VK12MAGR4G1PE2-SO8	R909605336	A2VK28MAOR1G1PE2-SO12
R902045259	A2VK12MAGL4G1PE2-SO	R909603727	A2VK28MAOR1G0PE1-SO11	R909605414	A2VK12GEOR4G0PE1-SO
R902047068	A2VK55MAGR1G1PE2-SO2	R909603730	A2VK12MAOR4G0PE1-SO11	R909605415	A2VK28GEOR1G0PE1-SO
R902047230	A2VK12MAGR4G0PE2-SO2	R909603866	A2VK12MAOR4G0PE1-SO12	R909605535	A2VK107MAOR1G0PE1-SO7
R902047231	A2VK12MAGL4G0PE1-SO2	R909604012	A2VK28GEGR1G1PE2-SO5	R902000445	A2VK12GEOR4G0PE2-SO6
R902052254	A2VK28OVGL1G00P-SO2	R909604336	A2VK28MAOR1G1PE1-SO	R902054701	A2VK55OVOL1G00P
R902052255	A2VK28GEGW1G0PE2-SO6	R909604337	A2VK28MAOR1G0PE1	R902054827	A2VK12MAOL4G1PE2-SO
R902052369	A2VK28MAOL1G0PE2-SO2	R909604348	A2VK12MAOR4G1PE1-SO	R902054914	A2VK12OVOL4G00P-SO
R902052370	A2VK28OVOL1G00P-SO2	R909604352	A2VK12MAOR4G1PE2-SO	R902054915	A2VK12MAOL4G0PE2
R902052372	A2VK12MAOL4G0PE2-SO2	R909604353	A2VK12MAOR4G0PE1	R902057442	A2VK55OVOL1G00P-SO
R902052373	A2VK12OVOL4G00P-SO	R909604386	A2VK55MAOR1G0PE2-SO	R902057443	A2VK55MAOL1G0PE2-SO
R902052376	A2VK55OVGL1G00P-SO	R909604387	A2VK55MAOR1G0PE1-SO	R902060108	A2VK12MAOL4G1PE1-SO2
R902052393	A2VK12MAOL4G0PE2-SO	R909604391	A2VK28MAOR1G0PE1-SO	R902060110	A2VK12MAOL4G1PE1-SO
R902052394	A2VK12OVOL4G00P-SO	R909604446	A2VK28MAOR1G1PE2-SO	R902060111	A2VK28OVOL1G00P-SO
R902054201	A2VK12GEGW4G0PE1-SO6	R909604506	A2VK12MAOR4G0PE1-SO	R902060112	A2VK28MAOL1G1PE1-SO
R902054202	A2VK12GW4G0PE-SO	R909604508	A2VK55MAGR1G0PE2	R902060113	A2VK28MAOL1G1PE1-SO2
R902054241	A2VK28MAOL1G0PE2	R909604654	A2VK12MAGR4G1PE1	R902060359	A2VK107GEGR1G0PE1-SO6
R902054242	A2VK28OVOL1G00P	R909604655	A2VK12MAGR4G1PE2	R902063697	A2VK28MAGR1G0PE2-SO2
R902054700	A2VK55MAOL1G0PE2	R909604656	A2VK28MAGR1G1PE1	R902065599	A2VK12GL4G0PE-SO
R909604803	A2VK55GEOR1G1PE2-SO5	R909604657	A2VK28MAGR1G1PE2	R902065600	A2VK12MAGL4G1PE2-SO2
R909604829	A2VK12MAOR4G1PE2	R909604658	A2VK28MAGR1G1PE2-SO	R902065720	A2VK12MAOL4G0PE1-SO
R909604830	A2VK12MAOR4G1PE1	R909604725	A2VK55MAGR1G1PE1-SO	R902065834	A2VK12OVGL4OOP
R909604834	A2VK12MAOR4G0PE1-SO10	R909604726	A2VK55MAGR1G1PE2-SO	R902065835	A2VK12MAGL4G0PE2-SO
R909604836	A2VK28OVGR1G00P-SO10	R909604727	A2VK28GEOR1G1PE2-SO5	R902067593	A2VK28OVGL1G00P-SO
R909604837	A2VK28MAGR1G0PE1-SO10	R909604729	A2VK55MAOR1G1PE1-SO	R902067594	A2VK28MAGL1G0PE2-SO
R909604841	A2VK55OVGR1G00P-SO10	R909604730	A2VK55MAOR1G1PE2-SO	R902067668	A2VK107MA/GE-LINKSLAUF
R909604844	A2VK55MAGR1G0PE1-SO10	R909604755	A2VK12MAOR4G0PE1-SO1	R902067669	A2VK107MAOL1G0PE2-SO
R909604857	A2VK107MAGR1G0PE1-SO2	R909604763	A2VK12MAGR4G0PE1-SO	R902067773	A2VK12GW4G0PE-SO11
R909604864	A2VK107MAOR1G0PE2-SO	R909604764	A2VK12MAGR4G1PE2-SO	R902067774	A2VK12GEGR4G0PE1-SO16
R909604768	A2VK28MAOR1G1PE2-SO8	R909604765	A2VK12MAGR4G0PE1	R902067940	A2VK12-RECHTSLAUF
R909604769	A2VK28MAOR1G1PE1-SO8	R909604766	A2VK28MAGR1G1PE1-SO	R909604767	A2VK28MAGR1G0PE1