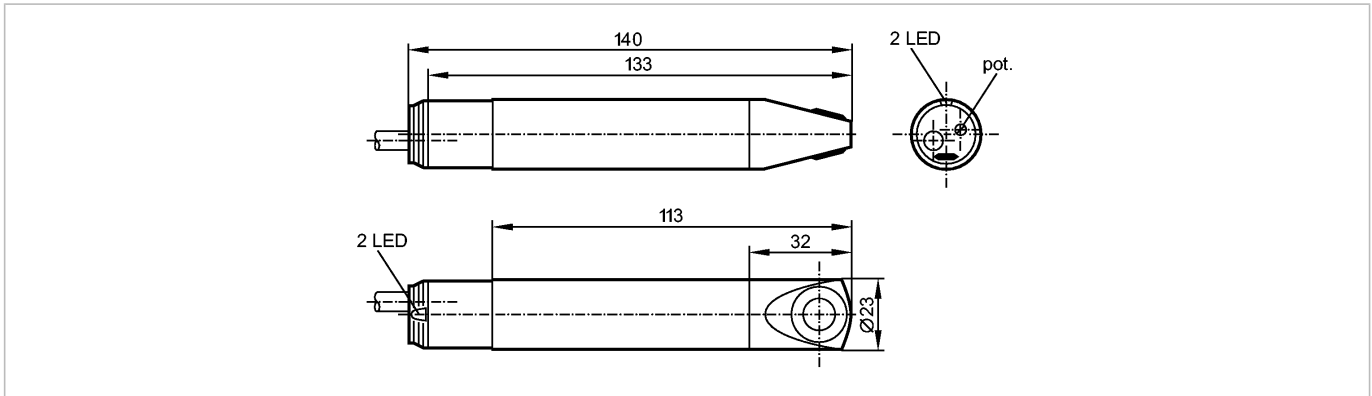


SL0301

SLG23CEEAKOA/PH

Flow sensors



Product characteristics

Airflow monitor	
Cylindrical type	
Process connection: Ø 23 mm	

Application

Pressure rating	[bar]	1
Medium temperature Gases	[°C]	-10...50

Electrical data

Electrical design		AC/DC
Operating voltage	[V]	80...250 AC (47...63 Hz AC) / 90...250 DC
Power consumption	[VA]	3
Insulation resistance	[MΩ]	> 100 (500 V DC)
Reverse polarity protection		no

Outputs

Output function		relay energised when flow is present
Contact rating		3 A (30 V DC / 250 V AC)
Short-circuit proof		no
Overload protection		no

Measuring / setting range

Setting range	[cm/s]	100...1000
Greatest sensitivity	[cm/s]	100...400

Accuracy / deviations

Max. temperature gradient of medium	[K/min]	5
-------------------------------------	---------	---

Reaction times

Power-on delay time	[s]	60
Response time	[s]	3...60

Software / programming

Adjustment of the switch point		potentiometer
--------------------------------	--	---------------

Environment

Ambient temperature	[°C]	-10...50
Max. relative air humidity	[%]	90
Protection		IP 54

Tests / approvals

SL0301

SLG23CEEAKOA/PH

Flow sensors

MTTF	[Years]	747
------	---------	-----

Mechanical data

Process connection		Ø 23 mm
Materials (wetted parts)		sensor surface: titanium
Housing materials		PBT (Pocan)
Weight	[kg]	0.203

Displays / operating elements

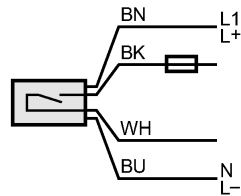
Function display	LED	1 x red / 1 x green
------------------	-----	---------------------

Electrical connection

Connection		PUR cable / 2 m; 4 x 0.5 mm ²
------------	--	------------------------------------------

Wiring

- Core colors
- BN brown
 - BU blue
 - BK black
 - WH white



Note: miniature fuse to IEC60127-2 sheet 1, ≤ 5 A (fast acting)

Accessories

Accessories (included)		Mounting clamp (E40048); screwdriver
------------------------	--	--------------------------------------

Remarks

Remarks		Recommendation: check the unit for reliable function after a short circuit.
---------	--	-----------------------------------------------------------------------------

Pack quantity	[piece]	1
---------------	---------	---