

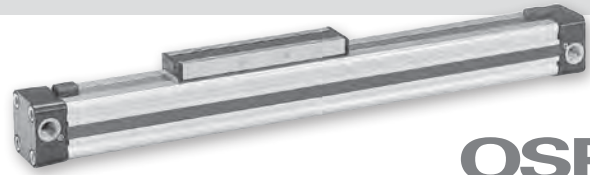
OSP-P Series

Standard Features:

- Double-acting with adjustable cushions
- With magnetic piston for position sensing
- Standard stroke lengths to 6000mm. Long stroke versions available upon request
- End cap can be rotated 4 x 90° to position ports as desired

Optional Features:

- Clean room cylinders
- Stainless steel screws
- Slow speed lubrication
- Fluorocarbon seals
- Single end porting
- Integrated valves
- Integrated bearing options



OSP
 ORIGA
 SYSTEM
 PLUS

Operating information

Operating pressure:	117 PSIG (8 bar)
Temperature range:	-10°F to 80°F (14°C to 176°C)
Filtration requirements:	Filtered, nonlubricated compressed air

Material specifications

Cylinder profile	Anodized aluminum
Carrier (piston)	Anodized aluminum
End caps	Aluminum, lacquered / plastic (P10)
Sealing bands	Corrosion resistant steel
Seals	NBR (Option: Fluorocarbon)
Screws	Galvanized steel Option: stainless steel
Dust covers, wipers	Composite

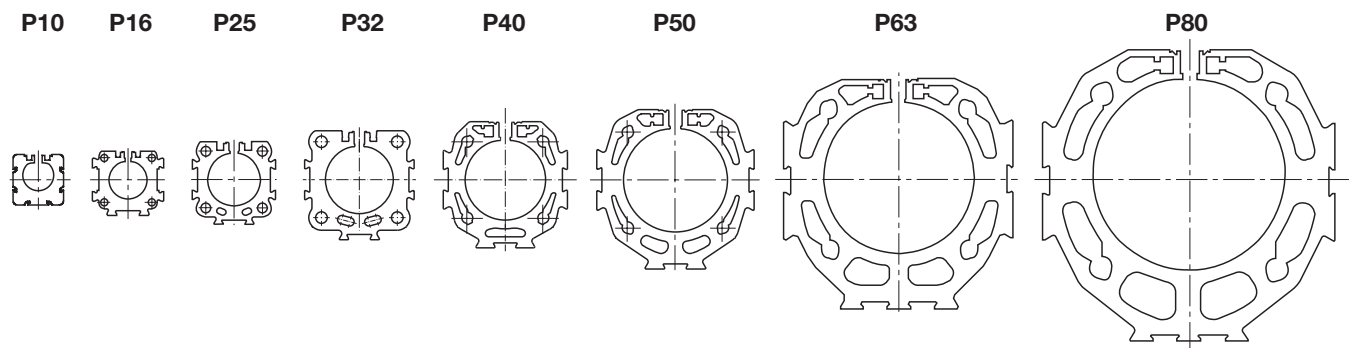
Weight (mass) kg

Cylinder series (Basic cylinder)	Weight (Mass) kg	
	At 0 mm stroke	per 100 mm stroke
OSP-P10	0.087	0.052
OSP-P16	0.22	0.1
OSP-P25	0.65	0.197
OSP-P32	1.44	0.354
OSP-P40	1.95	0.415
OSP-P50	3.53	0.566
OSP-P63	6.41	0.925
OSP-P80	12.46	1.262

Features

Characteristics	Description
Type	Rodless cylinder
Series	OSP-P
Stroke length	5.5m (216 inches)
System	Double-acting, with cushions and magnetic piston
Mounting	See drawings
Air connection	Threaded
Weight (mass)	See table below
Installation	In any position
Lubrication	Prelubricated at the factory (additional oil mist lubrication not required) Option: special slow speed grease

Size Comparison



ORIGA SYSTEM PLUS – innovation from a proven design

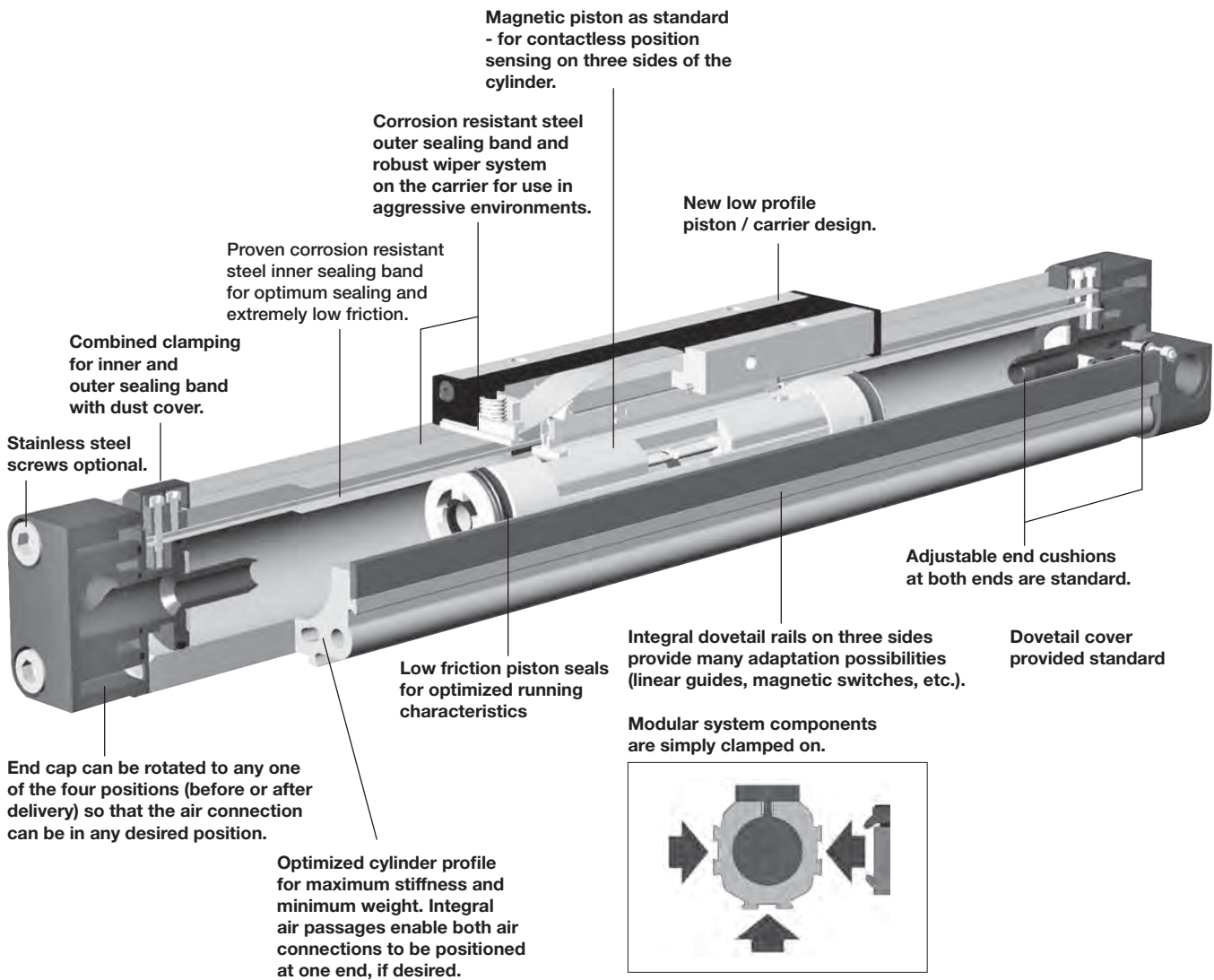
A new generation of linear drives which can be simply and neatly integrated into any machine layout.

A new modular linear drive system

With this second generation linear drive the OSP-P series offers design engineers complete flexibility. The well known ORIGA cylinder has been further developed into a combined linear actuator, guidance and control package. It forms the basis for the the OSP-P linear drive system. All additional functions are designed into modular system components which replace the previous series of cylinders.

Mounting rails on 3 sides

Mounting rails on 3 sides of the cylinder enable modular components such as linear guides, brakes, valves, magnetic switches etc. to be fitted to the cylinder itself. This solves many installation problems, especially where space is limited. The modular system concept forms an ideal basis for additional customer-specific functions.



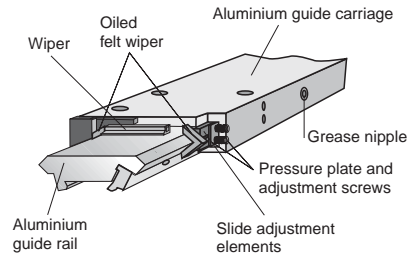
B	Rodless Cylinders Actuator Products
	OSP-P Series
P1X Series	
P1Z Series	
GDL Series	

Plain Bearing Guide SLIDELINE

- Available on 16 to 80mm bore

Features:

- Adjustable composite slide elements – optional integral brake
- Integrated sealing system with wiper elements to remove dirt and lubricate the slideways
- Any length of stroke up to 5500 mm

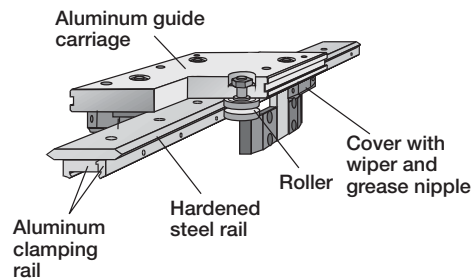
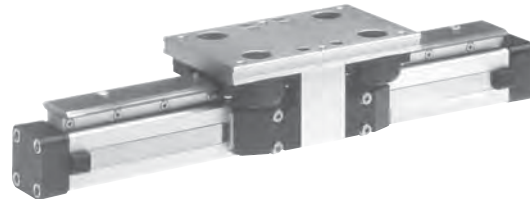


Roller Guide POWERSLIDE

- Available on 16 to 50mm bore

Features:

- Anodized aluminum guide carriage with vee rollers
- Hardened steel guide rail
- Multiple guide sizes can be used on the same drive
- Max. Speed $v = 3$ m/s
- Integrated wiper and grease nipple
- Any length of stroke up to 3500 mm



B	Rodless Cylinders Actuator Products
	OSP-P Series
P1X Series	
P1Z Series	
GDL Series	

Ordering information / part numbering system for OSP-P rodless basic pneumatic series

1-4	5-6	7	8	9	10	11	12-16	17	18	19	20	21	22	23	24	25
OSPP	25	0	1	0	0	0	01100	0	0	0	0	0	0	1	0	0
	Bore			Lubrication			Stroke		Piston mounting			Dovetail cover		Version		
	10 16 25 32 40 50 63 80			0 Standard 1 Fluorocarbon			xxxxx		0 Standard* 1 Clevis mount			0 Standard X No Cover		0 Standard		
			Seals						Cushions			Additional carriages**		Switches		
			0 Buna-N 1 Fluorocarbon						0 Standard			0 None 2 Slide / Proline 3 Slide / Proline with AB		0 None, order switches separately		
	Piston style				Fasteners											
	0 Standard 1 Tandem				0 Chrome plated 1 Stainless steel											
			Porting configurations†				Port orientation†							Mounting		
			0 Standard 1 End Face (position #5) ‡ 2 Single End Ports				0 Position #2 (both ends) 1 Position #3 (both ends) 2 Position #4 (both ends)							0 None 1 A1 type 4 B1 type 9 C1 type		
									Guides / Brakes							
									0 None 2 Slideline 3 Slideline with active brake 4 Slideline with multi brake A Active brake (basic OSP) E Powerslide (PSXX/25) (16, 25mm bore only) G Powerslide (PSXX/45) (25, 32, 40mm bore only) H Powerslide (PSXX/60) (40, 50mm bore only) I Powerslide (PSXX/76) (50mm bore only) M Inversion (NR30) (16 - 80mm bore only)							

* For Joint Clamp connecting plate, order separately

**When selecting additional carriages, the tandem piston option must also be selected

† Single end ports can not be rotated in the field

‡ Only available on 50mm bore

Sensors

For sensors see page B339.

B
 Rodless Cylinders
 Actuator Products
 OSP-P Series
 PIX Series
 P1Z Series
 GDL Series

Loads, forces and moments

When sizing an OSP cylinder, consideration must be given to:

- Loads, forces and moments
- Performance of the pneumatic end cushions. The main factors are the mass to be cushioned and the piston speed (unless external cushioning is used, e. g. hydraulic shock absorbers)

To determine the maximum values for light, shock-free operation, which must not be exceeded even in dynamic operation.

Load and moment data are based on speeds $v \leq 0.5$ m/s.

When working out the action force required, it is essential to take into account the friction forces generated by the specific application or load.

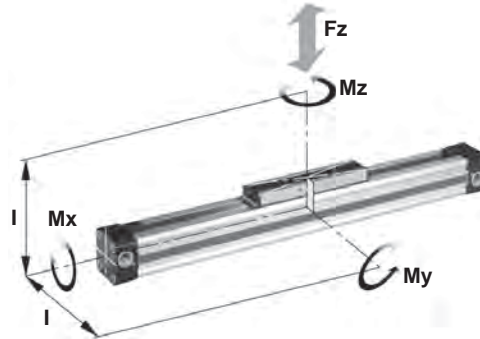
The sum total of each of these types of moments, divided by each of the maximum values, determines a Load-Moment Factor (LMF) should be equal to or less than 1.0. On horizontal mountings, the total load (L) should also be divided by the maximum load allowable and factored into the equation.

Horizontal Mountings:

$$\frac{L}{[L]} + \frac{M}{[M]} + \frac{M_s}{[M_s]} + \frac{M_v}{[M_v]} = LMF \leq 1.0$$

Vertical Mountings:

$$\frac{M}{[M]} + \frac{M_s}{[M_s]} + \frac{M_v}{[M_v]} = LMF \leq 1.0$$



$$M = F \cdot l$$

Bending moments are calculated from the center of the linear actuator

B
Rodless Cylinders
Actuator Products

OSP-P
Series

P1X
Series

P1Z
Series

GDL
Series

Cylinder series (mm Ø)	Theoretical output force at 6 bar N (lb)	Actual output force F_A at 6 bar N (lb)	Max. moments			Max. load F N (lb)	Cushion length (mm)
			M_x Nm (in lb)	M_y Nm (in lb)	M_z Nm (in lb)		
OSP-P10	47 (10.6)	32 (7.2)	0.2 (1.8)	1 (8.9)	0.3 (2.7)	20 (4.5)	2.5 * (.09)
OSP-P16	120 (26.9)	78 (17.5)	0.45 (3.9)	4 (35.4)	0.5 (4.4)	120 (26.9)	11 (.43)
OSP-P25	295 (66.3)	250 (56.2)	1.5 (13.3)	15 (132.8)	3 (26.6)	300 (67.4)	17 (.67)
OSP-P32	483 (108.6)	420 (94.4)	3 (26.6)	30 (265.5)	5 (44.3)	450 (101.2)	20 (.79)
OSP-P40	754 (169.5)	640 (143.9)	6 (53.1)	60 (531)	8 (70.8)	750 (168.6)	27 (1.06)
OSP-P50	1178 (264.8)	1000 (224.8)	10 (88.5)	115 (1017.8)	15 (132.8)	1200 (269.8)	30 (1.18)
OSP-P63	1870 (420.4)	1550 (348.5)	12 (106.2)	200 (1771)	24 (212.4)	1650 (370.9)	32 (1.26)
OSP-P80	3016 (678)	2600 (584.5)	24 (212.4)	360 (3186)	48 (424.8)	2400 (539.5)	39 (1.54)

* A rubber element (non-adjustable) is used for end cushioning.
 To deform the rubber element enough to reach the absolute end position would require a Dp of 4 bar!

Cushioning diagram

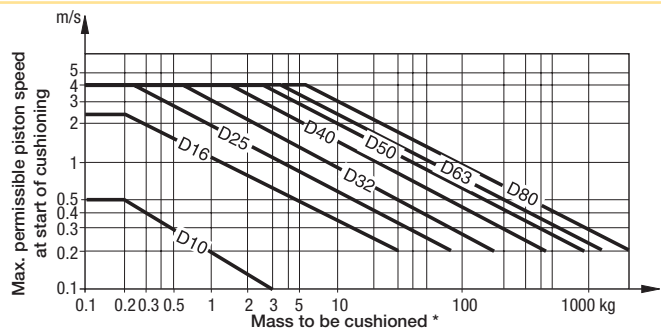
Determine the moving mass and follow the chart below to determine the maximum cylinder velocity.

Alternatively, take your desired velocity and moving mass to determine the required cylinder diameter.

If these maximum permissible values are exceeded, additional shock absorbers must be used.

For sizing a basic cylinder, use the adjacent chart. To size a cylinder with guide bearing, use the charts on the following page.

The peak piston velocity can be determined by assuming it is 50% greater than the average velocity. The peak velocity should be used in sizing the cylinder cushions.

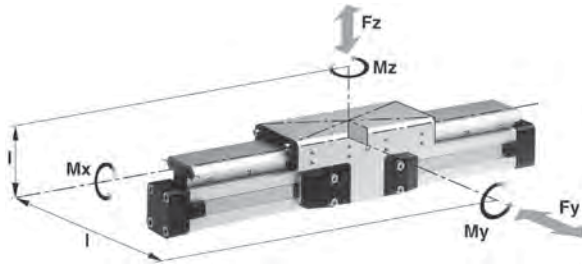


* For cylinders with linear guides or brakes, please be sure to take the mass of the carriage or the brake housing into account.



SLIDELINE loads, forces and moments

Stroke up to 5500 mm (longer strokes on request)



Technical data

The table shows the maximum permissible values for smooth operation, which should not be exceeded even under dynamic conditions.

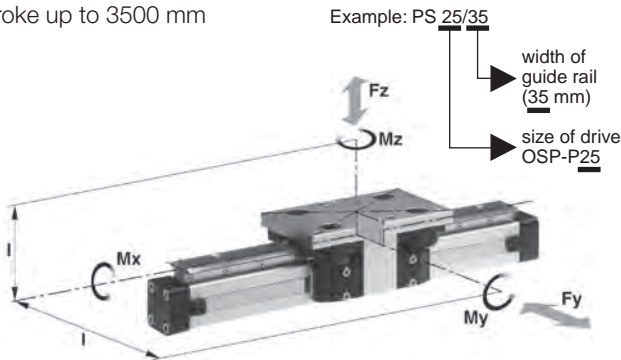
The load and moment figures apply to speeds $v < 0.2$ m/s.

Series	For linear drive	Max. moments (Nm)			Max. loads (N) Fy, Fz	Mass of linear drive with guide (kg)		Mass * of guide carriage (kg)
		Mx	My	Mz		With 0mm stroke	Increase per 100mm stroke	
SL16	OSP-P16	6	11	11	325	0.57	0.22	0.23
SL25	OSP-P25	14	34	34	675	1.55	0.39	0.61
SL32	OSP-P32	29	60	60	925	2.98	0.65	0.95
SL40	OSP-P40	50	110	110	1500	4.05	0.78	1.22
SL50	OSP-P50	77	180	180	2000	6.72	0.97	2.06
SL63	OSP-P63	120	260	260	2500	11.66	1.47	3.32
SL80	OSP-P80	120	260	260	2500	15.71	1.81	3.32

* Add the mass of the guide carriage to the mass to be cushioned.

POWERSLIDE loads, forces and moments

Stroke up to 3500 mm



Technical data

The table shows the maximum permissible values for smooth operation, which should not be exceeded even under dynamic conditions.

For further information and technical data see linear drives OSP-P.

*** Please note:**

In the cushioning diagram, add the mass of the guide carriage to the mass to be cushioned.

Series	For linear drive	Max. moments (Nm)			Max. load (N) Fy, Fz	Mass of linear drive with guide (kg)		Mass * of guide carriage (kg)
		Mx	My	Mz		With 0 mm stroke	Increase per 100mm stroke	
PS 16/25	OSP-P16	14	45	45	1400	0.93	0.24	0.7
PS 25/25	OSP-P25	14	63	63	1400	1.5	0.4	0.7
PS 25/35	OSP-P25	20	70	70	1400	1.7	0.4	0.8
PS 25/44	OSP-P25	65	175	175	3000	2.6	0.5	1.5
PS 32/35	OSP-P32	20	70	70	1400	2.6	0.6	0.8
PS 32/44	OSP-P32	65	175	175	3000	3.4	0.7	1.5
PS 40/44	OSP-P40	65	175	175	3000	4.6	1.1	1.5
PS 40/60	OSP-P40	90	250	250	3000	6	1.3	2.2
PS 50/60	OSP-P50	90	250	250	3000	7.6	1.4	2.3
PS 50/76	OSP-P50	140	350	350	4000	11.5	1.8	4.9

* Add the mass of the guide carriage to the mass to be cushioned.

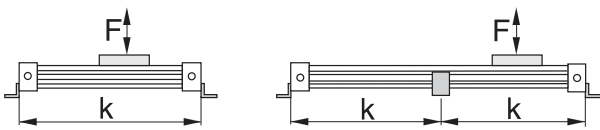
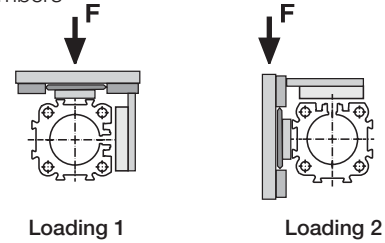
Intermediate supports

To avoid excessive bending and oscillation of the cylinder, intermediate supports may be required. The diagrams below show the maximum permissible support spacing based upon load.

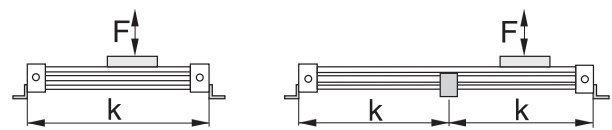
Bending up to 0.5 mm is permissible between supports. The intermediate supports are clamped to the dovetail profile and support the cylinder tube axially.

For cylinders with guide bearings, distinguish between loading scenario 1 and loading scenario 2.

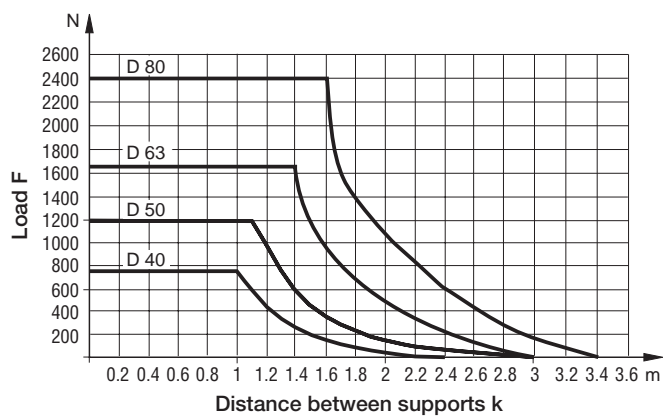
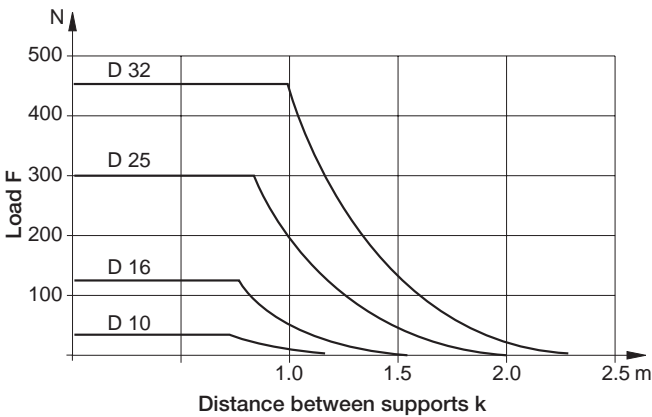
See accessories section for intermediate support dimensions and part numbers



Basic cylinder 10 to 32mm bore intermediate supports

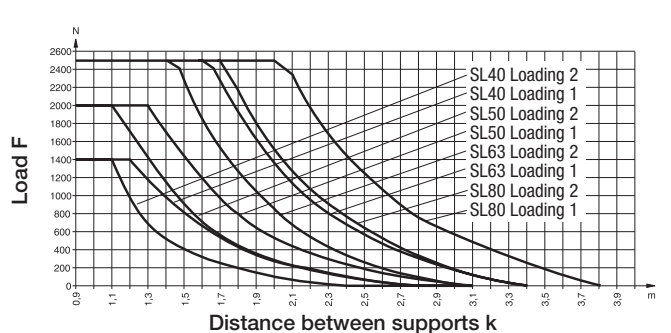
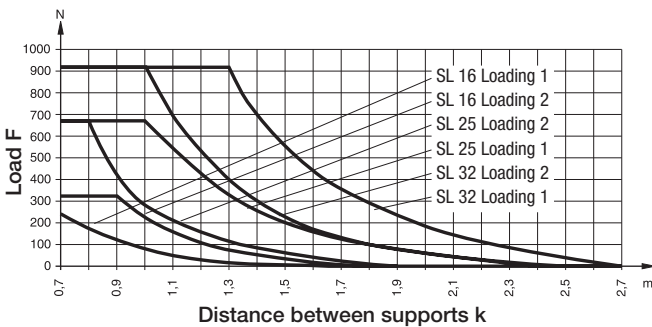


Basic cylinder 40 to 80mm bore intermediate supports

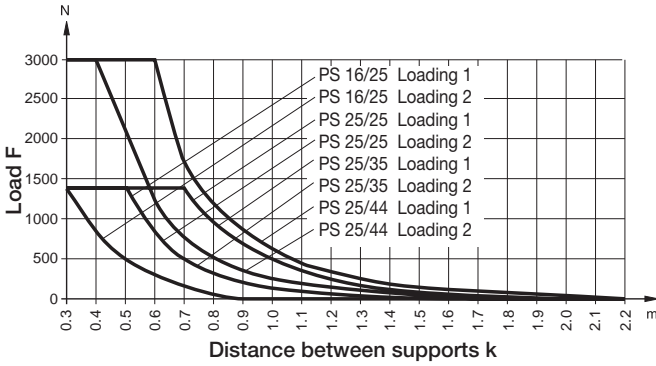


SLIDELINE 16 to 32mm bore intermediate supports

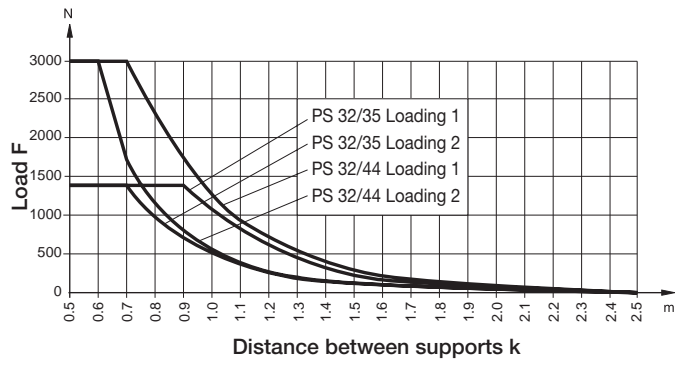
SLIDELINE 40 to 80mm bore intermediate supports



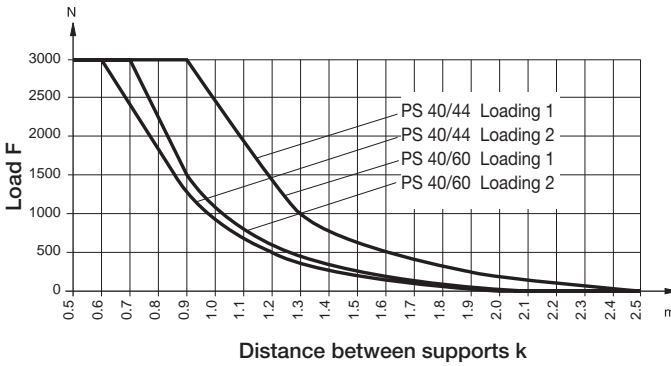
POWERSLIDE 16/25, 25/25, 25/35, 25/44mm bore intermediate supports



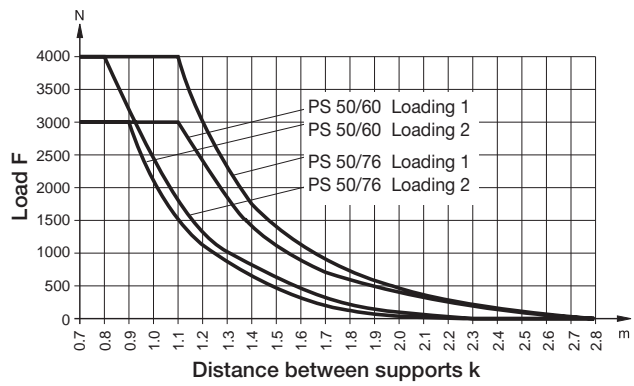
POWERSLIDE 2/35, 32/44mm bore intermediate supports



POWERSLIDE 40/44, 40/60mm bore intermediate supports



POWERSLIDE 50/60, 50/76mm bore intermediate supports



B

Rodless Cylinders
 Actuator Products

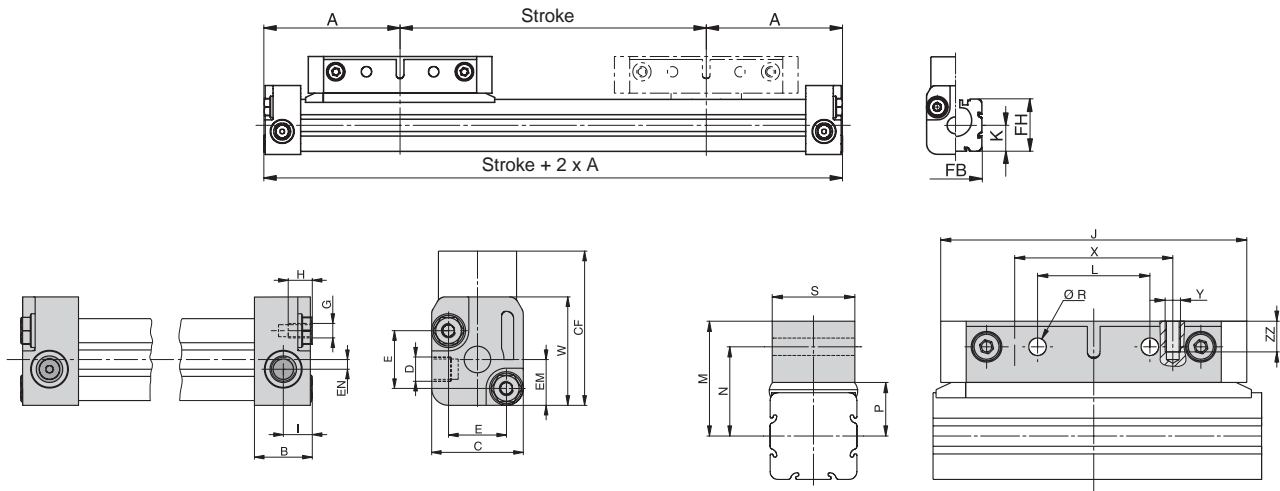
OSP-P
 Series

P1X
 Series

P1Z
 Series

GDL
 Series

Basic cylinder dimensions – 10mm bore

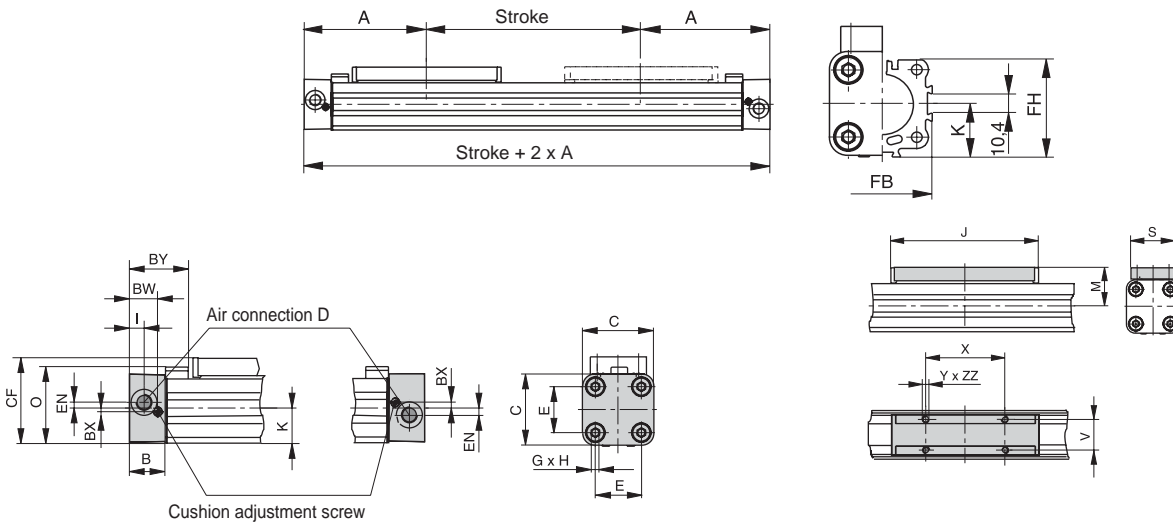


Dimensions (mm)

Series	A	B	C	D	E	G	H	I	J	K	L	M	N	P	R	S	W	X	Y	Z _{min}	CF	EM	EN	FB	FH	ZZ
OSP-P10	44.5	12	19	M5	12	M3	5	6	60	8.5	22	22.5	17.5	10.5	3.4	16	22.5	31	M3	64	32	9.5	2	17	17	6

B
 Rodless Cylinders
 Actuator Products

Basic cylinder dimensions – 16 to 80mm bore

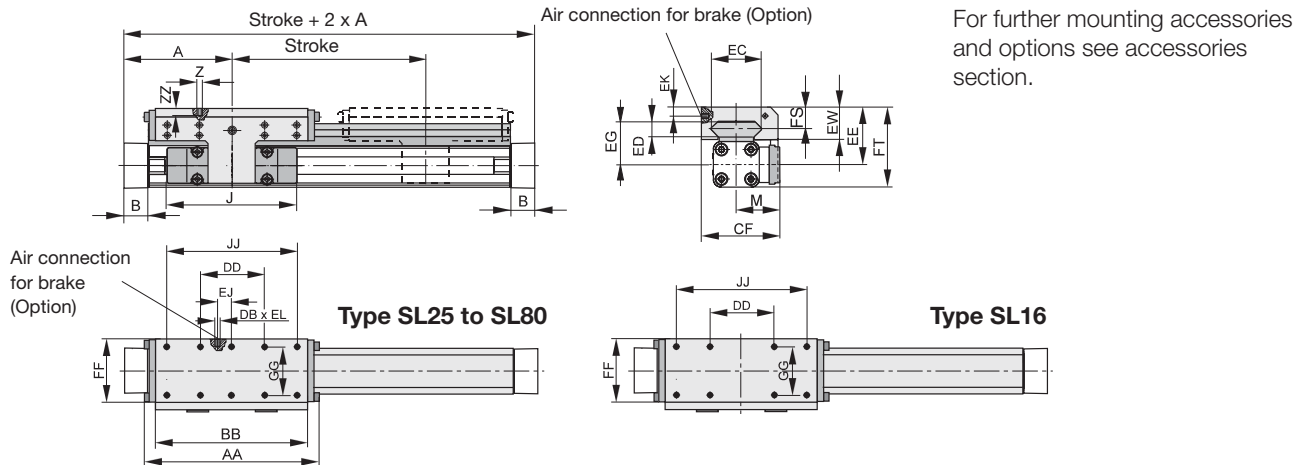


Dimensions (mm)

Series	A	B	C	D	E	G	H	I	J	K	M	O	S	V	X	Y	Z	BW	BX	BY	CF	EN	FB	FH	ZZ
OSP-P16	65	14	30	M5	18	M3	9	5.5	69	15	23	33.2	22	16.5	36	M4	81	10.8	1.8	28.4	38	3	30	27.2	7
OSP-P25	100	22	41	G1/827	M5	15	9	117	21.5	31	47	33	25	65	M5	128	17.5	2.2	40	52.5	3.6	40	39.5	8	
OSP-P32	125	25.5	52	G1/436	M6	15	11.5	152	28.5	38	59	36	27	90	M6	170	20.5	2.5	44	66.5	5.5	52	51.7	1	
OSP-P40	150	28	69	G1/454	M6	15	12	152	34	44	72	36	27	90	M6	212	21	3	54	78.5	7.5	62	63	10	
OSP-P50	175	33	87	G1/470	M6	15	14.5	200	43	49	86	36	27	110	M6	251	27	-	59	92.5	11	76	77	10	
OSP-P63	215	38	106	G3/878	M8	21	14.5	256	54	63	107	50	34	140	M8	313	30	-	64	117	12	96	96	16	
OSP-P80	260	47	132	G1/296	M10	25	22	348	67	80	133	52	36	190	M10	384	37.5	-	73	147	16.5	122	122	20	

OSP-P Series
 P1X Series
 P1Z Series
 GDL Series

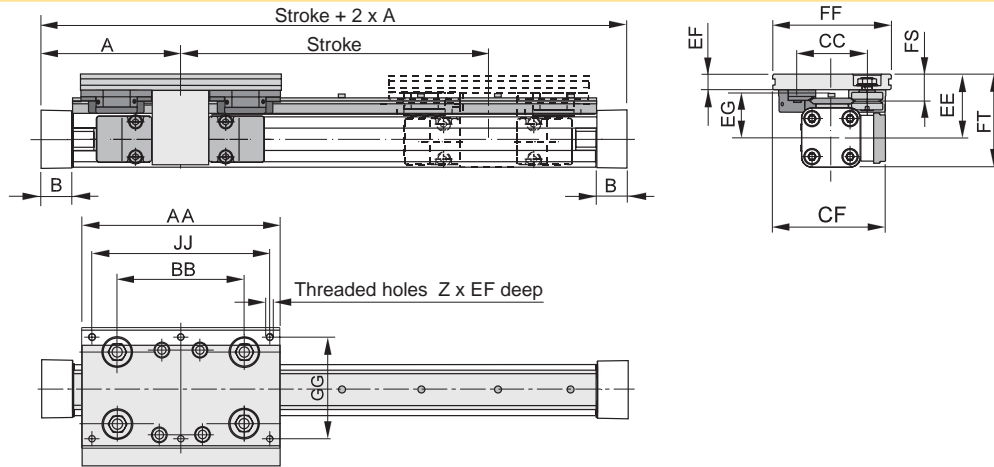
SLIDELINE Dimensions



Dimensions (mm)

Series	A	B	J	M	Z	AA	BB	DB	DD	CF	EC	ED	EE	EG	EJ	EK	EL	EW	FF	FT	FS	GG	JJ	ZZ
SL 16	65	14	69	31	M4	106	88	-	30	55	36	8	40	30	-	-	-	22	48	55	14	36	70	8
SL 25	100	22	117	40.5	M6	162	142	M5	60	72.5	47	12	53	39	22	6	6	30	64	73.5	20	50	120	12
SL 32	125	25.5	152	49	M6	205	185	M5	80	91	67	14	62	48	32	6	6	33	84	88	21	64	160	12
SL 40	150	28	152	55	M6	240	220	M5	100	102	77	14	64	50	58	6	6	34	94	98.5	21.5	78	200	12
SL 50	175	33	200	62	M6	284	264	M5	120	117	94	14	75	56	81	6	6	39	110	118.5	26	90	240	16
SL 63	215	38	256	79	M8	312	292	-	130	152	116	18	86	66	-	-	-	46	152	139	29	120	260	14
SL 80	260	47	348	96	M8	312	292	-	130	169	116	18	99	79	-	-	-	46	152	165	29	120	260	14

POWERSLIDE Dimensions



Dimensions (mm)

Series	A	B	Z	AA	BB	CC	CF	EE	EF	EG	FF	FS	FT	GG	JJ
PS 16/25	65	14	4xM6	120	65	47	80	49	12	35	80	21	64	64	100
PS 25/25	100	22	6xM6	145	90	47	79.5	53	11	39	80	20	73.5	64	125
PS 25/35	100	22	6xM6	156	100	57	89.5	52.5	12.5	37.5	95	21.5	73	80	140
PS 25/44	100	22	6xM8	190	118	73	100	58	15	39	116	26	78.5	96	164
PS 32/35	125	25.5	6xM6	156	100	57	95.5	58.5	12.5	43.5	95	21.5	84.5	80	140
PS 32/44	125	25.5	6xM8	190	118	73	107	64	15	45	116	26	90	96	164
PS 40/44	150	28	6xM8	190	118	73	112.5	75	15	56	116	26	109.5	96	164
PS 40/60	150	28	6xM8	240	167	89	122.5	74	17	54	135	28.5	108.5	115	216
PS 50/60	175	33	6xM8	240	167	89	130.5	81	17	61	135	28.5	123.5	115	216
PS 50/76	175	33	6xM10	280	178	119	155.5	93	20	64	185	39	135.5	160	250

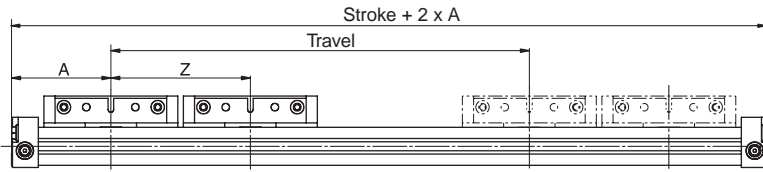


Piston Options

Tandem pistons can be ordered to provide a larger mounting footprint. This option reduces the travel of the piston. When specifying the stroke of the cylinder, include the desired travel + Z dimension.

Please note Zmin dimension.

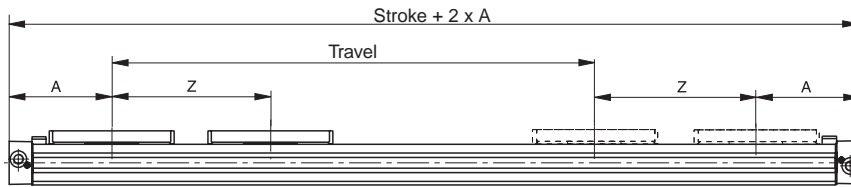
10mm bore



Dimensions (mm)

Series	A	Zmin
OSP-P10	44.5	64

16 to 80mm bore



Dimensions (mm)

Series	A	Z min
OSP-P16	65	81
OSP-P25	100	128
OSP-P32	125	170
OSP-P40	150	212
OSP-P50	175	251
OSP-P63	215	313
OSP-P80	260	384

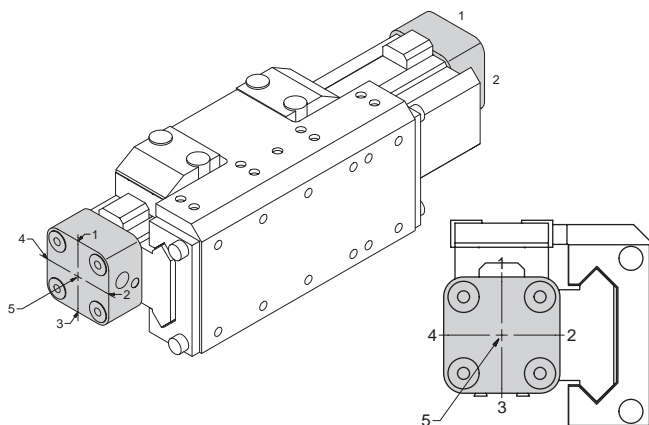
Port orientation

When determining port orientation, the piston carriage is always at position 1. When a bearing system is order, the piston carriage is at position 1 and the bearing carriage is at position 2.

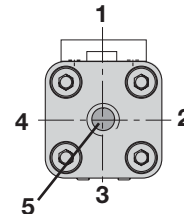
End caps can be field rotated to move port locations, excluding single ended port configurations

Note: Single end ports and port position 5 not available on 10 to 40mm bore.

Cylinder with guide end cap positioning



Basic cylinder end cap positioning



Joint Clamp Connection \varnothing 25-50 mm

The joint clamp connection combines two OSP-P cylinders of the same size into a compact unit with high performance.

Features

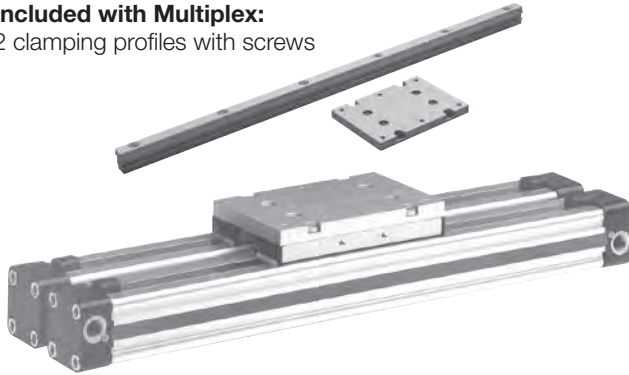
Increased load and torque capacity
 Higher driving forces

Included with Joint Clamp:

2 clamping profiles with screws
 1 mounting plate

Included with Multiplex:

2 clamping profiles with screws



Series	Order number	
	Joint clamp	Multiplex
OSP-P25	20153-sssss	20035-sssss
OSP-P32	20290-sssss	20167-sssss
OSP-P40	20156-sssss	20036-sssss
OSP-P50	20292-sssss	20168-sssss

Note: sssss = stroke of cylinder

Clevis Mounting, \varnothing 16-80 mm

When external guides are used, parallelism deviations can lead to mechanical strain on the piston. This can be avoided by the use of a clevis mounting.

In the drive direction, the mounting has very little play.

Freedom of movement is provided as follows:

- Tilting in direction of movement
- Vertical compensation
- Tilting sideways
- Horizontal compensation



Series	Order number	
	Standard	Stainless
OSP-P16	20462	20463
OSP-P25	20005	20092
OSP-P32	20096	20094
OSP-P40	20024	20093
OSP-P50	20097	20095
OSP-P63	20466	20467
OSP-P80	20477	20478

Inversion Mounting, \varnothing 16-80 mm

In dirty environments, or where there are special space restrictions, inversion of the cylinder is recommended.

The inversion bracket transfers the driving force to the opposite side of the cylinder. The size and position of the mounting holes are the same as on the standard cylinder.

Please note:

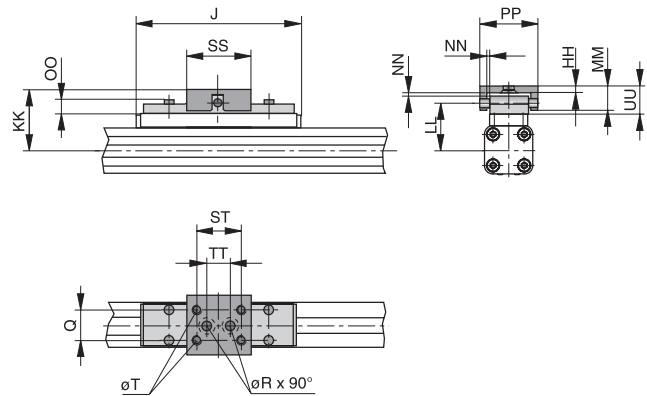
Other components of the OSP system such as **mid-section supports**, **magnetic switches** and the **external air passage for the 16mm bore**, can still be mounted on the free side of the cylinder.

When combining single end porting with inversion mountings, RS magnetic switches can only be mounted directly opposite to the external air-supply profile.



Series	Order number
OSP-P16	20446
OSP-P25	20037
OSP-P32	20161
OSP-P40	20039
OSP-P50	20166
OSP-P63	20459
OSP-P80	20490

Series OSP-P16 to 32



Dimensions (mm)

Series	J	Q	T	\varnothing R	HH	KK	LL	MM	NN*	OO	PP	SS	ST	TT	UU
OSP-P16	69	10	M4	4.5	3	34	26.6	10	1	8.5	26	28	20	10	11
OSP-P25	117	16	M5	5.5	3.5	52	39	19	2	9	38	40	30	16	21
OSP-P32	152	25	M6	6.6	6	68	50	28	2	13	62	60	46	40	30
OSP-P40	152	25	M6	-	6	74	56	28	2	13	62	60	46	-	30
OSP-P50	200	25	M6	-	6	79	61	28	2	13	62	60	46	-	30
OSP-P63	256	37	M8	-	8	100	76	34	3	17	80	80	65	-	37
OSP-P80	348	38	M10	-	8	122	96	42	3	16	88	90	70	-	42

* Dimension NN gives the possible plus and minus play in horizontal and vertical movement, which also makes tilting sideways possible.

Active Brake (Basic Cylinder)



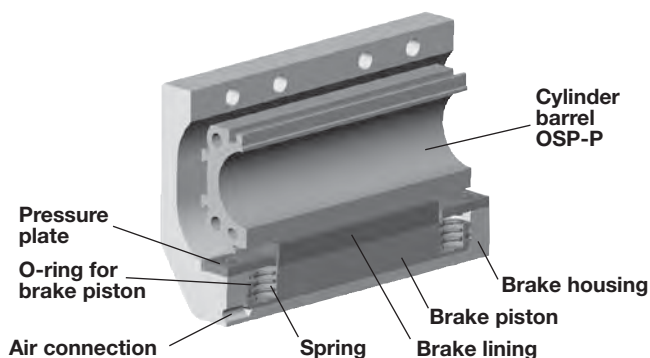
Series AB25 to 80 for basic cylinder

Features

- Actuated by pressurization
- Released by spring actuation
- Holds position, even under changing load conditions

Note:

Cannot be used in combination with intermediate supports or position sensors.



Forces and Weights (SLIDELINE Guide Required)

Series	Max. braking force (N) ⁽¹⁾	Brake pad way (mm)	Mass (kg)			Active brake order number
			Linear drive with brake			
			0 mm stroke	Increase per 100mm stroke	Brake*	
AB 25	350	2.5	1.0	0.197	0.35	20806
AB 32	590	2.5	2.02	0.354	0.58	20807
AB 40	900	2.5	2.83	0.415	0.88	20808
AB 50	1400	2.5	5.03	0.566	1.50	20809
AB 63	2170	3.0	9.45	0.925	3.04	20810
AB 80	4000	3.0	18.28	1.262	5.82	20811

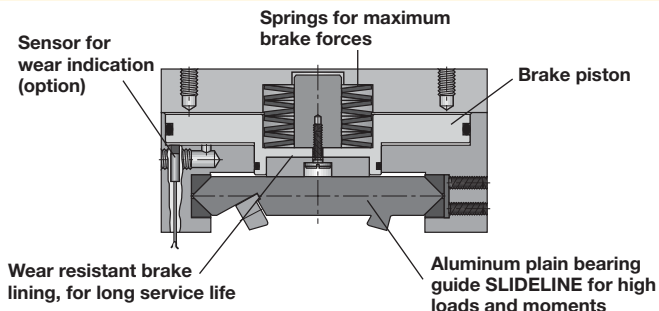
⁽¹⁾ – at 6 bar
 both chambers pressurized with 6 bar
 – oil on the braking surface will reduce braking effectiveness

*** Please Note:**
 The mass of the brake should be added to the total moving mass when using the cushioning diagram.

Multi-Brake

The Multi-Brake is a passive device. When the air pressure is removed the brake is actuated and movement of the cylinder is blocked. The brake is released by pressurization.

The high friction, wear resistant brake linings allow the Multi-Brake to be used as a dynamic brake to stop cylinder movement in the shortest possible time. The powerful springs also allow the Multi-Brake to be used in applications where non-precision positioning is required



Series	Max. brake force N (lb) ⁽¹⁾	Mass of linear drive with guide kg (lb)		Mass* guide carriage kg (lb)
		With 0 mm stroke	Increase per 100 mm stroke	
MB-SL 25	470 (105.7)	2.04 (5.5)	0.39 (1.0)	1.10 (2.9)
MB-SL 32	790 (177.6)	3.82 (10.2)	0.65 (1.7)	1.79 (4.8)
MB-SL 40	1200 (269.8)	5.16 (13.8)	0.78 (2.1)	2.34 (6.3)
MB-SL 50	1870 (420.4)	8.29 (22.2)	0.97 (2.6)	3.63 (9.7)
MB-SL 63	2900 (651.9)	13.31 (35.7)	1.47 (3.9)	4.97 (13.3)
MB-SL 80	2900 (651.9)	17.36 (46.5)	1.81 (4.8)	4.97 (13.3)

⁽¹⁾ Braking surface dry – oil on the braking surface will reduce the braking force

* In the cushioning diagram, the mass of the guide carriage has to be added to the total moving mass.

B
 Rodless Cylinders
 Actuator Products
 Series
 OSP-P
 Series
 P1X
 Series
 P1Z
 Series
 GDL



End cap mountings, \varnothing 10-80 mm

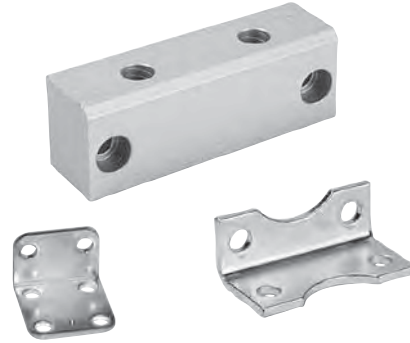
On the face of each end cap there are four threaded holes for mounting the actuator. The hole layout is square, so that the mounting can be fitted to the bottom, top or either side, regardless of the position chosen for the air connection.

Material:

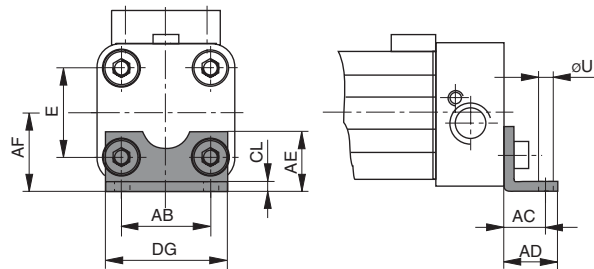
Series OSP-P10 – P32: Galvanized steel.

Series OSP-P40 – P80: Anodized aluminum.

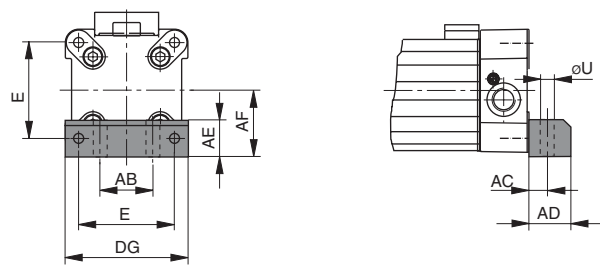
The mountings are supplied in pairs.



Series OSP-P16 to 32: Type A1



Series OSP-P40 to 80: Type C1



Dimensions (mm)

Series	E	\varnothing U	AB	AC	AD	AE	AF	CL	DG
OSP-P10	—	3.6	12	10	14	20.2	11	1.6	18.4
OSP-P16	18	3.6	18	10	14	12.5	15	1.6	26
OSP-P25	27	5.8	27	16	22	18	22	2.5	39
OSP-P32	36	6.6	36	18	26	20	30	3	50
OSP-P40	54	9	30	12.5	24	24	38	—	68
OSP-P50	70	9	40	12.5	24	30	48	—	86
OSP-P63	78	11	48	15	30	40	57	—	104
OSP-P80	96	14	60	17.5	35	50	72	—	130

(* = Pair)

Mounting type

Series	A1	B1	C1	D1	E1
OSP-P10	0240	—	—	—	—
OSP-P16	20408FIL	—	—	20434FIL	20435FIL
OSP-P25	2010	20311FIL	—	20008FIL	20009FIL
OSP-P32	3010	20313FIL	—	20157FIL	20158FIL
OSP-P50	—	—	5010FIL	20162FIL	20163FIL
OSP-P63	—	—	6010FIL	20451FIL	20452FIL
OSP-P80	—	—	8010FIL	20480FIL	20482FIL

Mounting kits can be ordered via the above part numbers.

Note: Mounting kits are provided in pairs.

B

Rodless Cylinders
 Actuator Products

OSP-P
 Series

P1X
 Series

P1Z
 Series

GDL
 Series

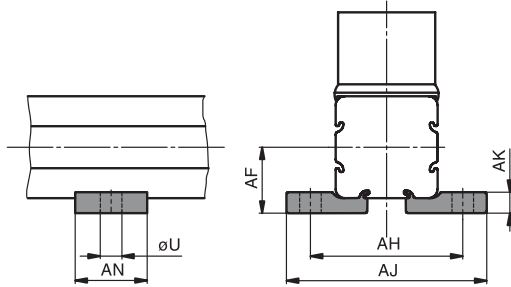
Intermediate supports, ø 10-80 mm

Note on types E1 and D1 (P16 – P80):

The intermediate supports can also be mounted on the underside of the actuator, in which case its distance from the center of the actuator is different.



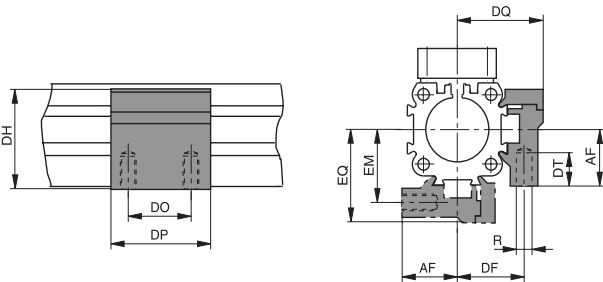
Series OSP-10, Type E1



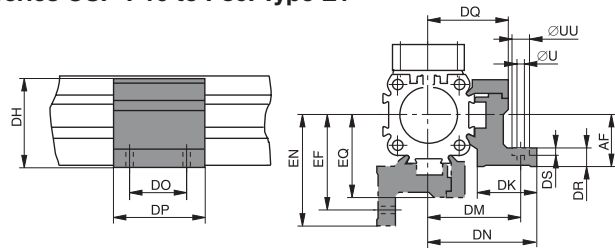
Dimensions (mm) Series OSP-P10

Series	U	AF	AH	AJ	AK	AN
OSP-P10	3.6	11	25.4	33.4	3.5	12

Series OSP-16 to 80, Type D1



Series OSP-P16 to P80: Type E1



Dimension Table (mm) – Series OSP-P16 to P80


Series	R	U	UU	AF	DF	DH	DK	DM	DN	DO	DP	DQ	DR	DS	DT	EF	EM	EN	EQ
OSP-P16	M3	3.4	6	15	20	29.2	24	32	36.4	18	30	27	6	3.4	6.5	32	20	36.4	27
OSP-P25	M5	5.5	10	22	27	38	26	40	47.5	36	50	34.5	8	5.7	10	41.5	28.5	49	36
OSP-P32	M5	5.5	10	30	33	46	27	46	54.5	36	50	40.5	10	5.7	10	48.5	35.5	57	43
OSP-P40	M6	7	-	38	35	61	34	53	60	45	60	45	10	-	11	56	38	63	48
OSP-P50	M6	7	-	48	40	71	34	59	67	45	60	52	10	-	11	64	45	72	57
OSP-P63	M8	9	-	57	47.5	91	44	73	83	45	65	63	12	-	16	79	53.5	89	69
OSP-P80	M10	11	-	72	60	111.5	63	97	112	55	80	81	15	-	25	103	66	118	87

B
 Rodless Cylinders
 Actuator Products
 Series
 OSP-P
 Series
 P1X
 Series
 P1Z
 Series
 GDL

Adaptor profile, ø 16-50 mm

Adaptor profile OSP


A universal attachment for mounting of valves etc.
 Solid material

	Series	Order number	
		Standard	Stainless
	OSP-P16	20432FIL	20438FIL
	OSP-P25	20006FIL	20186FIL
	OSP-P32	20006FIL	20186FIL
	OSP-P40	20025FIL	20267FIL
	OSP-P50	20025FIL	20267FIL

T-Slot Profile ø 16-50 mm

T-slot profile OSP

A universal attachment for mounting with standard T-Nuts

	Series	Order number	
		Standard	Stainless
	OSP-P16	20433FIL	20439FIL
	OSP-P25	20007FIL	20187FIL
	OSP-P32	20007FIL	20187FIL
	OSP-P40	20026FIL	20268FIL
	OSP-P50	20026FIL	20268FIL

Note: Can be used in conjunction with IPS T-nut (20-058).




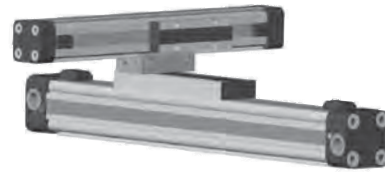
Combination of Series OSP-P with system profiles

Connection profile, ø 16-50 mm

For combining

Series OSP-P with system profiles
 Series OSP-P with Series OSP-P

	Series	Order number
	OSP-P16	20849FIL
	OSP-P25	20850FIL
	OSP-P32	20850FIL
	OSP-P40	20851FIL
	OSP-P50	20851FIL



Combination of Series OSP-P with Series OSP-P

B

Rodless Cylinders
 Actuator Products

OSP-P
 Series

P1X
 Series

P1Z
 Series

GDL
 Series

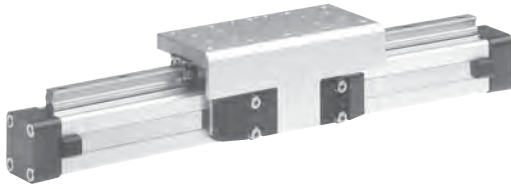
Other Options



PROLINE
 The compact aluminum roller guide for high loads and velocities and utilizes the GDL Guide Bearing



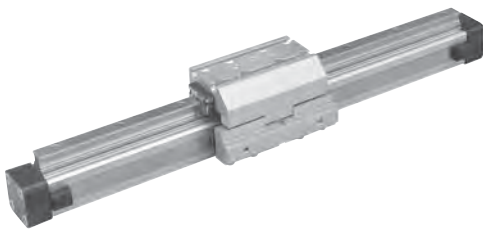
Integrated VOE Valves



STARLINE
 Recirculating ball bearing guide for very high loads and precision



SENSOFLEX SFI-plus
 Incremental measuring system with 0.1 (1.0) mm resolution



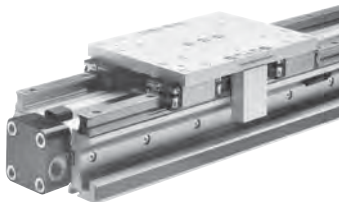
KF Guide
 Recirculating ball bearing guide – the mounting dimensions correspond to FESTO Type: DGPL-KF



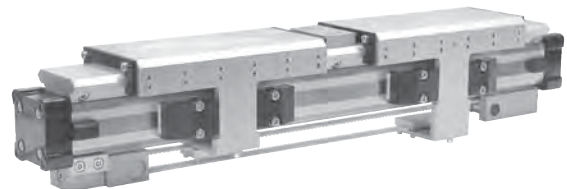
Variable Stop VS
 The variable stop provides simple stroke limitation
 Available on STARLINE only



Clean Room Version
 Certified to DIN EN ISO 14644-1



Heavy Duty Guide HD
 for heavy duty applications



Rodless Cylinder
 For synchronized bi-parting movements
 Available on SLIDELINE Guide Bearing only

B	Actuator Products
	Rodless Cylinders
OSP-P Series	
P1X Series	
P1Z Series	
GDL Series	

Service packs

	Bore sizes						
	16mm	25mm	32mm	40mm	50mm	63mm	80mm
BUNA service pack single piston	11111xsssss	11112xsssss	11113xsssss	11114xsssss	11115xsssss	11116xsssss	11118xsssss
Fluorocarbon service pack single piston	11121xsssss	11122xsssss	11123xsssss	11124xsssss	11125xsssss	11126xsssss	11128xsssss
BUNA service pack single piston - slow speed grease	11131xsssss	11132xsssss	11133xsssss	11134xsssss	11135xsssss	11136xsssss	11138xsssss
Fluorocarbon service pack single piston - slow speed grease	11141xsssss	11142xsssss	11143xsssss	11144xsssss	11145xsssss	11146xsssss	11148xsssss

Note: sssss = stroke of cylinder

Service Pack Information

Service Packs contain all the components necessary to completely rebuild a Parker rodless cylinder, are available. Each pack contains a complete seal kit, inner and outer bands, Parker grease tube, cleaning tool and repair instructions. It's all packaged in an easy-to-ship, easy-to-store box clearly labeled to indicate the cylinder type, bore and stroke for which it is intended. Contact your local Parker distributor for more information.

Seal kits

	Bore sizes						
	16mm	25mm	32mm	40mm	50mm	63mm	80mm
BUNA seal kit - standard cylinder	11052	11053	11054	11055	11056	11057	11058
Fluorocarbon seal kit - standard cylinder	11059	11060	11061	11062	11063	11064	11065
Seal kit - sideline carriage	11066	11067	11068	11069	11070	—	—
Seal kit active brake - standard cylinder	—	11822FIL	11823FIL	11824FIL	11825FIL	11826FIL	11827FIL
Seal kit - multibrake	—	11089FIL	11090FIL	11091FIL	11092FIL	11093FIL	—

Seal Kit Information

Seal Kits include all seals, a tube of grease, bearing shoe, scraper and cleaning tool.

B

Rodless Cylinders
 Actuator Products

OSP-P
 Series

P1X
 Series

P1Z
 Series

GDL
 Series