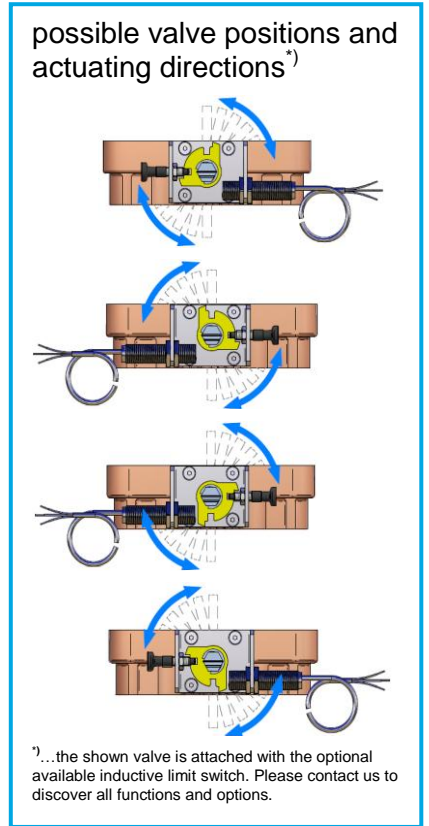
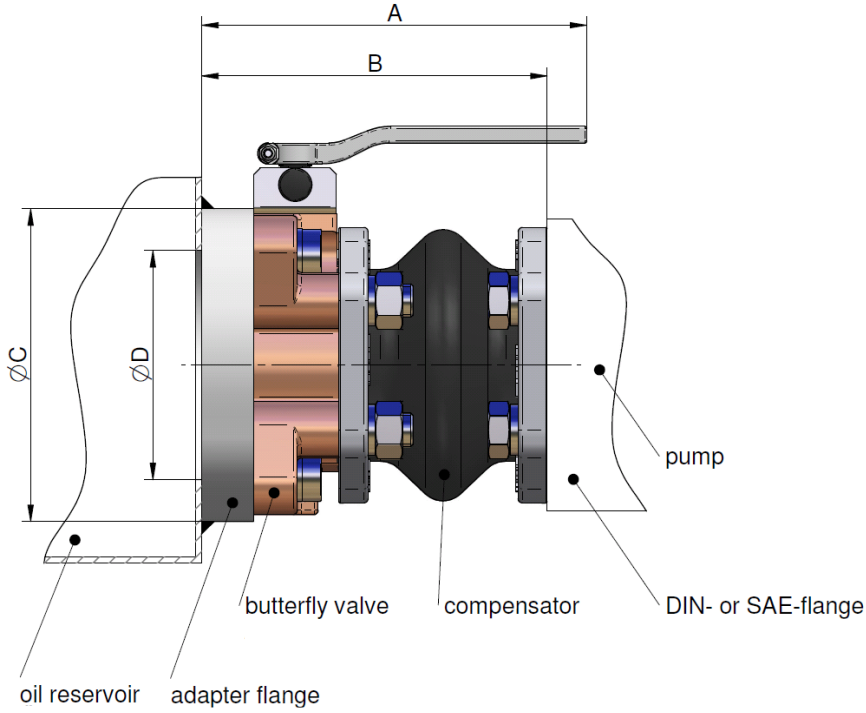


Suction Unit

SAE 1 1/2" to SAE 5"

The **asa** suction unit has been developed to provide a compact unit in hydraulic systems. The **asa** butterfly flange with SAE connections allows the combination with an elastic element (rubber compensator) to make a short compensating and economical connection with the pump port. The **asa** suction unit is screwed to the **asa** adapter flange, which is welded to the tank. Due to low installation costs and compact design, purchasing **asa** suction units is cost effective. A switch (mechanical or inductive) can be mounted on the standard block for monitoring matters.



Technical Data

description	order number	size		A	B	C	D	weight
		SAE	DIN	[mm]	[mm]	[mm]	[mm]	
ESAF – 40	SDAK0040T	1 1/2"	40	185	168	130	89	5,20
ESAF – 50	SDAK0050T	2"	50	185	168	150	103	6,20
ESAF – 63	SDAK0063T	2 1/2"	65	185	165	150	103	6,40
ESAF – 80	SDAK0080T	3"	80	185	166	150	110	7,50
ESAF – 100	SDAK0100T	4"	100	185	168	180	140	9,80
ESAF – 125	SDAK0125T	5"	125	185	198	205	165	11,60

Working Ranges

working pressure range	0,2 – 1,5 bar
temperature range	-20°C to +80°C

Material

butterfly valve housing	GGG 40 (0.7040), cast iron
valve disc	aluminium
gasket	NBR
compesator flange	steel
compesator rubber inside	NBR-CR
compesator rubber outside	CR
adapter flange	steel



This data sheet shows a technical overview of our products. Please contact us if more exact information is needed. As we are constantly improving our products, their characteristics, dimensions and weights may also change, although we do our best to incorporate these changes continually. The information in this data sheet is intended to be used as a first general guideline only. asa assumes no liability for any information therein, any errors, omissions, misprints, nor any direct or indirect damages, losses or costs resulting therefrom. The cooling performance and the general technical values indicated in this catalogue are measured at a test bench according to asa testing procedures. Because there is no standardized testing procedure, tests used by other manufacturers could have different results. Due to different conditions in testing and application environments the cooling performance may also vary by +/- 15%. Therefore we recommend all coolers to be checked under the system operating conditions. This is also true of vibrations and mechanical stress as well as for pressure peaks and thermal stress and any other relevant factors.