

QUICK COUPLING W9 ST. ST. PLUG

ART. NO. 800061

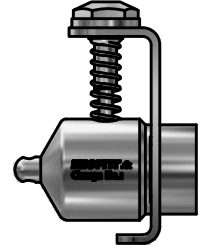
GENERAL



KEOFITT has the widest selection of spare parts and accessories to complete your sampling system.



Compatible to all KEOFIT sampling valves with W9 and Sesame hose piece.



FEATURES



Connection: W9 hose piece in-/outlet



To be used with double steel chain

CERTIFICATION*

- 3.1 Material Certificate

TECHNICAL DATA

Material (process contact)

Material (without process contact)

- Steel parts AISI 316L (1.4404)
- O-ring Silicone, RED (#800830)
- EU EC 1935/2004 · FDA CFR 21 §177.2600
- USP Class VI · ADI Free

Surface Treatment

- Outside Electropolished Ra \leq 1.2 μ m
- Inside Electropolished Ra \leq 0.5 μ m

Pressure & Temperature

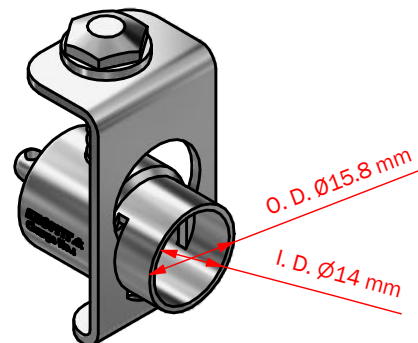
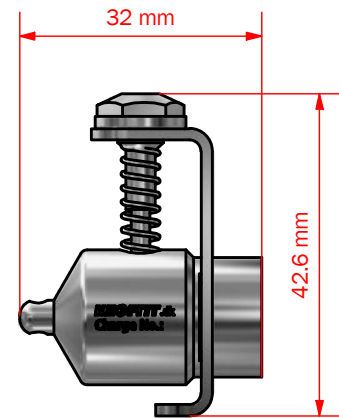
- Pressure Depending on choice of valve head
- Temperature Depending on choice of valve head

Net Weight

- kg/lbs 0.045 kg/0.099 lbs

Spareparts

- 800830 10 PACK O-RING SILICONE 10.3x2.4



*For further information and download please visit www.keofitt.dk