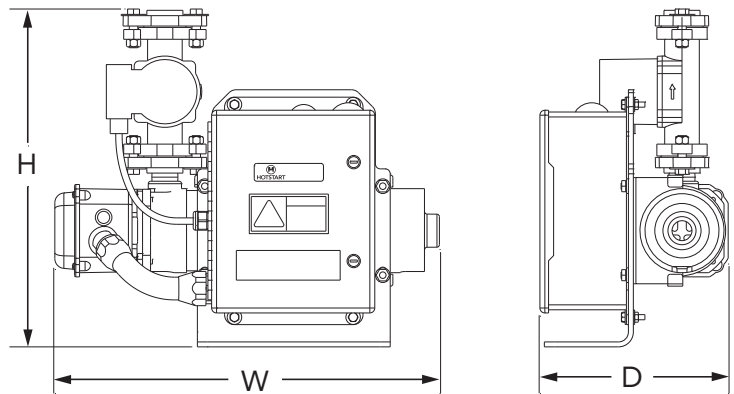


## CSM HOTflow™ Heating System

HOTSTART's CSM HOTflow™ heating system is a complete coolant preheater with thermostat, pump and all required controls. The CSM model heats engines ranging in size from up to 100L displacement.

Forced circulation of the coolant delivers uniform heating throughout the entire engine, extends element life and offers a significant reduction in electrical consumption.



## APPLICATION

HOTflow™ model CSM was developed to pre-heat diesel and gas engines for stationary land power, marine, large mining and construction equipment.

## SPECIFICATIONS

- Heating Fluid: Engine coolant (50% glycol/50% water)
- Heat Power: 3, 6, 9, 10.5 and 12 kW
- Voltage Range: 1 or 3 Phase 120-690V (50 or 60Hz)
- Fixed Thermostat: 100°-120°F (38°-49°C)
- Flow: 10GPM (2.2m<sup>3</sup>/hr) @ 10ft head (3 mWc)
- Pump Power: 70W (50Hz), 97W (60Hz)
- Max Pressure: 125 psi (860 kPa)
- Pressure Loss: 0.2 psi (1.5 kPa)
- Inlet Plumbing: 1.0" NPT
- Outlet Plumbing: 1.0" NPT
- Min/Max Ambient Temp: -4°F (-20°C)/104°F (40°C)
- Main Control Box Ingress Protection: NEMA 4 (IP66)
- Motor Ingress Protection: IP44 (CE compliant), NEMA 2 (UL listed)

## FEATURES

- UL-C/US listed - (60 Hz models) - E250789CE
- CE compliant (select models)
- Controls for automatic operation
- Compact design
- Easy to install

## DIMENSIONS & WEIGHT

	Height (H)	Width (W)	Depth (D)	Weight
Style A	15.0" 383mm	19.4" 493mm	9.5" 242mm	37 lbs. 16.8 kg
Style B	17.0" 434mm	19.4" 493mm	9.5" 242mm	54 lbs. 24.5 kg

## CSM HOTflow™ Heating System



Style A

Style B

### PART NUMBERS

Engine Size		Power Supply			Heating System			
CID	Liter	Volts	Phase	Hz	Part Number	kW	Amps	Style
1000-2000	15-30	120	1	60	CSM10301-000	3	26.3	A
		208	1	60	CSM10308-000	3	15.1	A
		208	3	60	CSM30308-000	3	8.7	B
		230	1	50	* CSM1030J-5A0	3	13.7	A
		240	1	60	CSM10302-000	3	13.1	A
		480	1	60	CSM10304-000	3	3.8	B
2000-3000	25-50	208	1	60	CSM10608-000	6	29.6	A
		208	3	60	CSM30608-000	6	17.1	B
		230	1	50	* CSM1060J-5A0	6	26.7	A
		240	1	60	CSM10602-000	6	25.6	A
		400	3	50	* CSM3060A-5A0	6	8.9	B
		440	3	60	* CSM3060F-5A1	6	8.1	B
		480	1	60	CSM10604-000	6	12.8	B
		480	3	60	CSM30604-000	6	7.4	B
		575	3	60	CSM30605-000	6	6.2	B
3000-4500	50-75	208	1	60	CSM10908-000	9	44.0	A
		208	3	60	CSM30908-000	9	25.4	B
		230	1	50	* CSM1090J-5A0	9	39.8	A
		240	1	60	CSM10902-000	9	38.1	A
		400	3	50	* CSM3090A-5A0	9	13.2	B
		440	3	60	CSM3090F-5A1	9	12.2	B
		480	1	60	CSM10904-000	9	19.1	B
		480	3	60	CSM30904-000	9	11.0	B
		575	3	60	CSM30905-000	9	9.2	B
4500-6000	75-100	208	1	60	CSM11058-000	10.5	51.2	B
		208	3	60	CSM31208-000	12	33.7	B
		230	1	50	* CSM1120J-5A0	12	52.8	B
		240	1	60	CSM11202-000	12	50.6	B
		400	3	50	* CSM3120A-5A0	12	17.5	B
		440	3	60	CSM3120F-5A0	12	15.9	B
		480	1	60	CSM11204-000	12	25.3	B
		480	3	60	CSM31204-000	12	14.6	B
		575	3	60	CSM31205-000	12	12.2	B

\* CE compliant models

Other voltages available. Consult the factory.